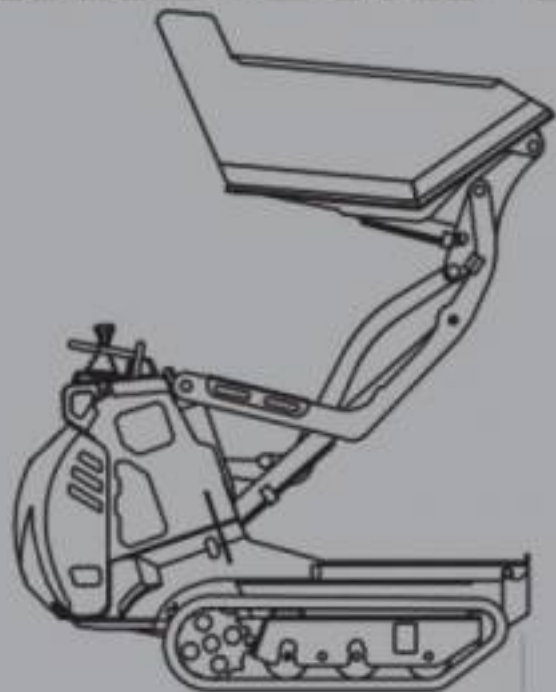


# C60

**MINIDUMPER**

# HI



**Honda**



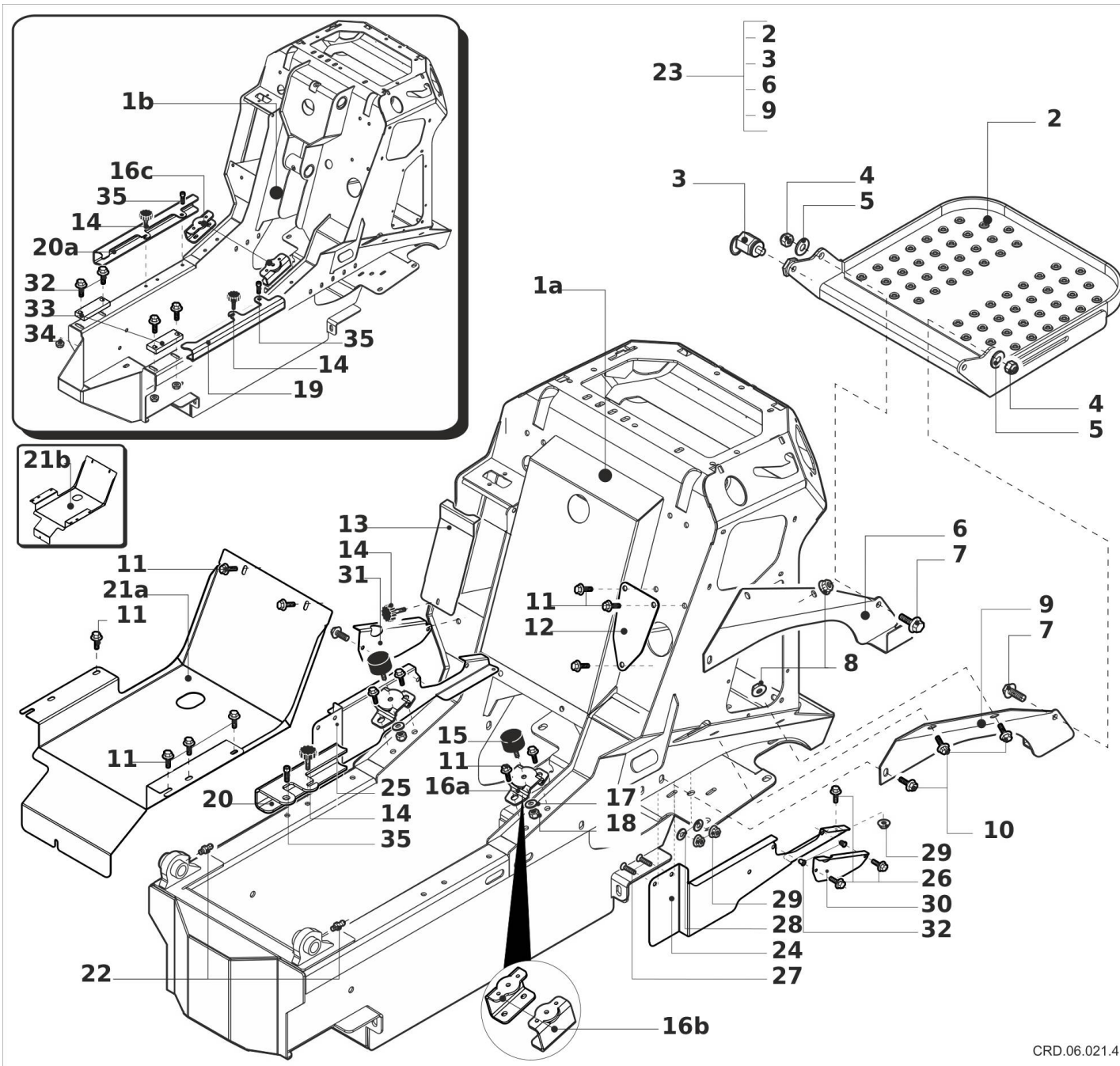
**GX270**

Spare parts catalogue  
C60\_H2\_HI

# Index

DASHBOARD-FRAME (Valid rev4 to S/N CRM0D60KKK0R56870)	4
DASHBOARD-FRAME (Valid from S/N CRM0B60ITK0S58003 to S/N CRMC60KHVNOL05804)	7
DASHBOARD-FRAME (Valid from S/N CRMC60KHENOM06041)	10
UNDERCARRIAGE	13
DASHBOARD	15
DASHBOARD	17
DASHBOARD (Valid from S/N CRMC60KHENOM06041)	19
BONNET	21
ENGINE / PUMP ASSEMBLY (Valid up to S/N CRM0B60IEG0R16049)	23
ENGINE / PUMP ASSEMBLY (Valid from 10/04/2016 to 01/29/2019)	25
ENGINE / PUMP ASSEMBLY (valid from 01/30/2019)	27
TRANSMISSION (Valid up to S/N CRM0D60KPF0L02486)	29
TRANSMISSION (Valid from S/N CRM0B60HHF0L02640 to S/N CRM0D60BPJ0A30503)	31
TRANSMISSION (Valid from S/N CRM0D60KTJ0A30063 to S/N CRMC60KHVNOL05804)	33
TRANSMISSION (Valid from S/N CRMC60KHENOM06041)	35
WHEELS AND ROLLERS (Valid up to S/N 06577915)	37
WHEELS AND ROLLERS (Valid from S/N 06581415 to S/N CRM0D60JHG0B08448)	39
WHEELS AND ROLLERS (Valid from S/N CRM0D60JVG0B08459)	41
BRAKE AND ACCELERATOR CABLES (Valid until 02/17/2014)	43
BRAKE AND ACCELERATOR CABLES (Valid since 02/18/2014 to 09/12/2016)	45
BRAKE AND ACCELERATOR CABLES (Valid since 09/13/2016 to S/N. CRMC60KHVNOL05804)	47
BRAKE AND ACCELERATOR CABLES (Valid from S/N. CRMC60KHENOM06041)	49
SKIP HI-TIP (Valid until S/N CRM0D60KKK0R56870)	51
SKIP HI-TIP ((Valid from S/N CRM0B60ITK0S58003)	53
HYDRAULIC SYSTEM (TANK) (Valid up to S/N CRM0D60KKK0R56870)	55
HYDRAULIC SYSTEM (TANK) (Valid from S/N CRM0B60ITK0S58003 to S/N CRM0B60ITK0S58003)	57
HYDRAULIC SYSTEM (TANK) (Valid from S/N CRM0D60KVK0S58201)	59
HYDRAULIC SYSTEM (Valid up to S/N CRM0D60KKK0R56870)	61
HYDRAULIC SYSTEM (Valid from S/N CRM0B60ITK0S58003 to S/N CRMC60KHVNOL05804)	63
HYDRAULIC SYSTEM (Valid from S/N CRMC60KHENOM06041)	65

<b>HYDRAULIC SYSTEM (TRACTION+SERVICES) HI (Valid up to S/N CRMC60KHAVNOL05804)</b> .....	<b>67</b>
<b>HYDRAULIC SYSTEM (TRACTION) (Valid from S/N CRMC60KHENOM06041)</b> .....	<b>69</b>
<b>HYDRAULIC SYSTEM (SERVICES) HI (Valid from S/N CRMC60KHENOM06041)</b> .....	<b>71</b>
<b>ELECTRICAL WIRING (GASOLINE) (Valid up to S/N CRM0B60IEG0R16049)</b> .....	<b>73</b>
<b>ELECTRICAL WIRING (GASOLINE) (Valid from S/N CRM0B60ICG0S16632)</b> .....	<b>75</b>

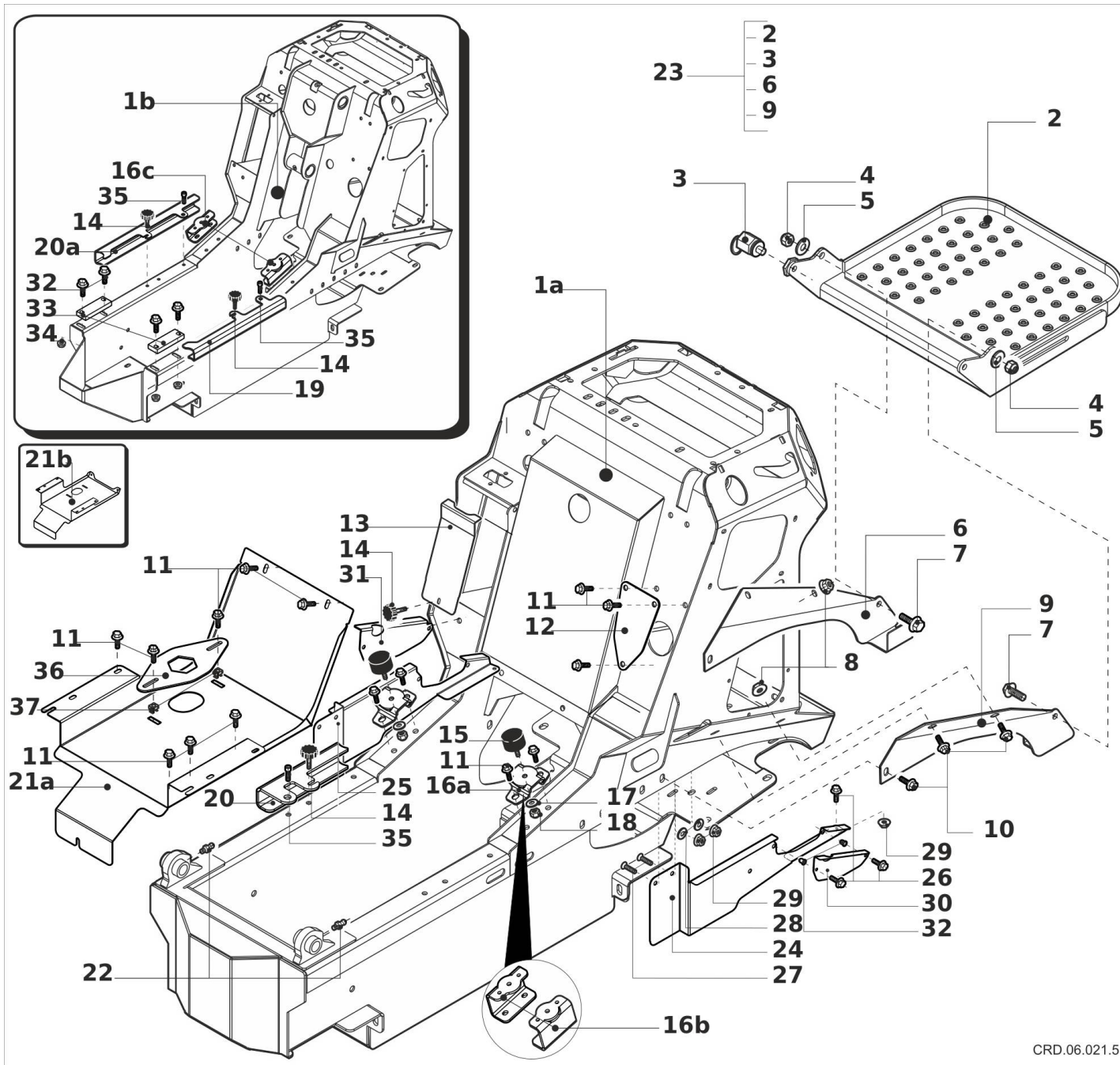


#	Code	Description	Specification	UM	Qty
1a	C3030.40.03	DASHBOARD S.60 DE	C60 RI / AC	NR	1
1b	C3030.40.01	DASHBOARD	C60 HI / HIAC	NR	1
2	C3000.27.00	PLATFORM		NR	1
3	C3000.27.04	PLATFORM STOP		NR	1
4	C2023	NUT	M12	NR	2
5	C2003	WASHER	M12	NR	2
6	C3000.27.05	SUPPORT	Sx/L	NR	1
7	C2073	T.E. PIN M12*30	M12x30	NR	2
8	C2092	NUT	M8	NR	6
9	C3000.27.01	SUPPORT	Dx/R	NR	1
10	C2075	LIVES	M8x20	NR	6
11	C0190.32.03	LIVES	M6x20	NR	11
12	C3010.04.02	CORK		NR	1
13	C3070.10.02	BATTERY COVER		NR	1
14	C1052.00.03	KNOB	M6x25	NR	3
15	C1184	ANTI-VIBRATION	Ø40 h20 M8	NR	2
16a	C3030.19.02	BUFFER SUPPORT	RI	NR	2
16b	C3030.19.03	AC BUFFER SUPPORT	AC	NR	2
16c	C3030.19.04	HI-TIP BUFFER SUPPORT	HI	NR	2
17	C2001	WASHER	M8	NR	2
18	C2085	NUT	M8	NR	2
19	C3030.41.00	SUPPORT	60 HI	NR	1
20	C3030.41.02	BOX SAFETY S.60 RI	60 RI	NR	1
20a	C3030.41.01	SUPPORT	60 HI	NR	1
21a	C3000.25.00	CARTERINO	C60	NR	1
21b	C3000.25.01	15/10MM SHELTER	C60	NR	1
22	C1047	GREASER	M6	NR	2
23	C3000.19.10	COMPLETE C60 PLATFORM KIT		NR	1
24	C3000.17.14	CARTERINO		NR	1
25	C3000.17.15	CARTERINO		NR	1
26	C2091.01.00	LIVES	M8x16	NR	2
27	C0190.12.03	FLAT HEAD SOCKET CAP SCREW	M6x20	NR	4
28	C2000.01.01	WASHER	M6x24	NR	4
29	C2030.01.00	NUT	M6	NR	6
30	C3000.17.12	LEFT CRANKCASE COVER		NR	1
31	C3000.17.13	RIGHT CRANKCASE COVER		NR	1
32	C2052.03.00	FLANGE HEX HEAD CAP SCREW	M10x35	NR	4
33	C3030.26.00	BAR OF SOAP		NR	2
34	C2019	M10 FLANGED NUT	M10	NR	4
35	C2047	LIVES	M6x16	NR	2

#	Code	Description	Specification	UM	Qty
---	------	-------------	---------------	----	-----



DASHBOARD-FRAME (Valid rev4 to S/N CRM0D60KKK0R56870)

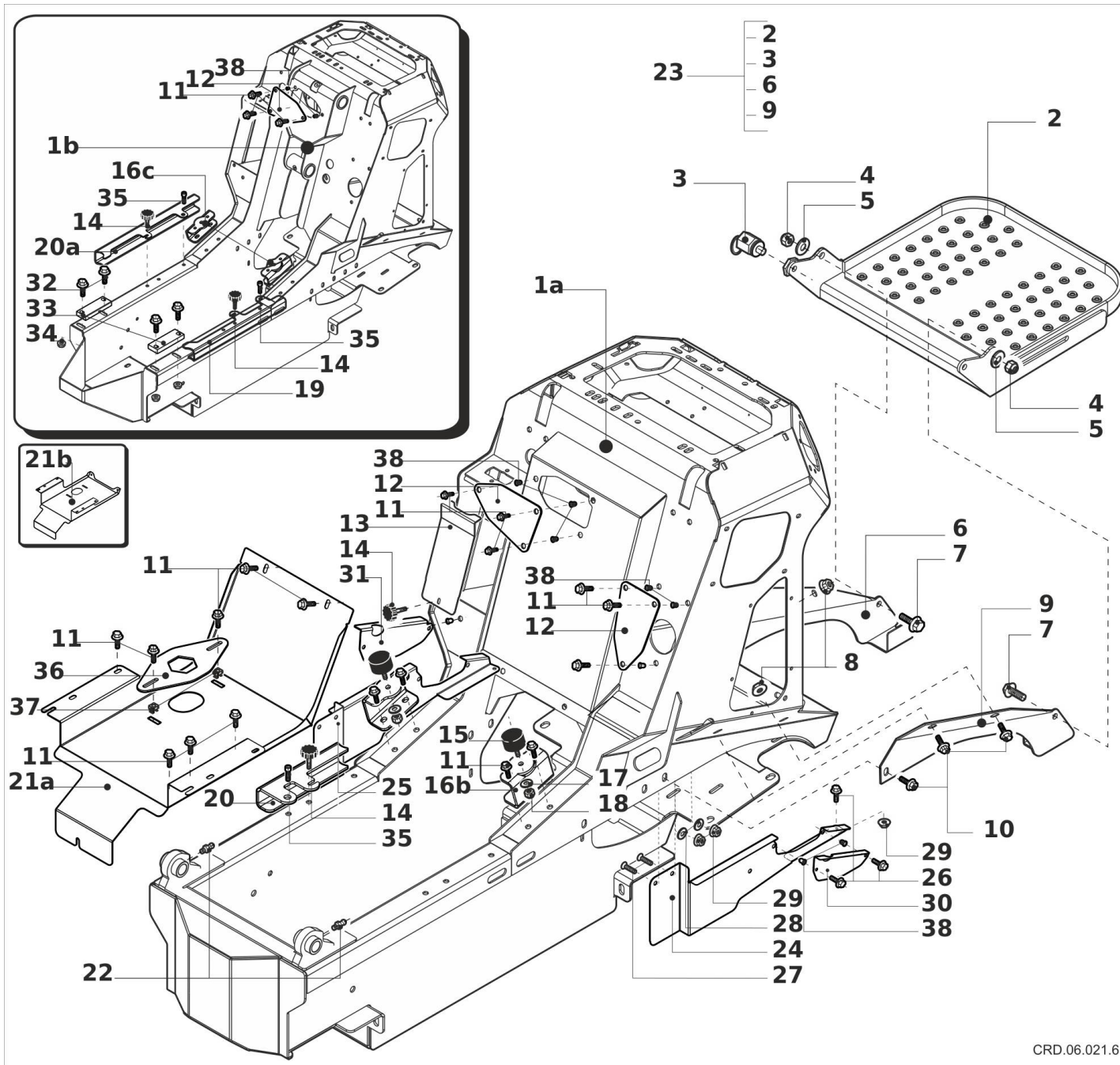


CRD.06.021.5

#	Code	Description	Specification	UM	Qty
1a	C3030.40.03	DASHBOARD S.60 DE	C60 RI / AC	NR	1
1b	C3030.40.01	DASHBOARD	C60 HI / HIAC	NR	1
2	C3000.27.00	PLATFORM		NR	1
3	C3000.27.04	PLATFORM STOP		NR	1
4	C2023	NUT	M12	NR	2
5	C2003	WASHER	M12	NR	2
6	C3000.27.01	SUPPORT	Dx/R	NR	1
7	C2073	T.E. PIN M12*30	M12x30	NR	2
8	C2092	NUT	M8	NR	6
9	C3000.27.05	SUPPORT	Sx/L	NR	1
10	C0190.33.02	FLANGED TE SCREW 8X20 ZN	M8x20	NR	6
11	C0190.32.03	LIVES	M6x20	NR	1
12	C3010.04.02	CORK		NR	1
13	C3070.10.02	BATTERY COVER		NR	1
14	C1052.00.03	KNOB	M6x25	NR	3
15	C1184	ANTI-VIBRATION	Ø40 h20 M8 40 h20 M8	NR	2
16a	C3030.19.02	BUFFER SUPPORT	RI	NR	2
16b	C3030.19.03	AC BUFFER SUPPORT	AC	NR	2
16c	C3030.19.04	HI-TIP BUFFER SUPPORT	HI	NR	2
17	C2001	WASHER	M8	NR	2
18	C2085	NUT	M8	NR	2
19	C3030.41.00	SUPPORT	60 HI	NR	1
20	C3030.41.02	BOX SAFETY S.60 RI	60 RI	NR	1
20a	C3030.41.01	SUPPORT	60 HI	NR	1
21a	C3000.25.04	C3000.25.04	C60 RI / AC	NR	1
21b	C3000.25.05	CARTERINO	C60 HI / HIAC	NR	1
22	C1047	GREASER	M6	NR	2
23	C3000.19.10	COMPLETE C60 PLATFORM KIT		NR	1
24	C3000.17.14	CARTERINO		NR	1
25	C3000.17.15	CARTERINO		NR	1
26	C0190.33.01	LIVES	M8x16	NR	2
27	C0190.12.03	FLAT HEAD SOCKET CAP SCREW	M6x20	NR	4
28	C2000.01.01	WASHER	M6x24	NR	4
29	C2030.01.00	NUT	M6	NR	6
30	C3000.17.12	LEFT CRANKCASE COVER		NR	1
31	C3000.17.13	RIGHT CRANKCASE COVER		NR	1
32	C0190.34.05	LIVES	M10x35	NR	4
33	C3030.26.00	BAR OF SOAP		NR	2
34	C2019	M10 FLANGED NUT	M10	NR	4



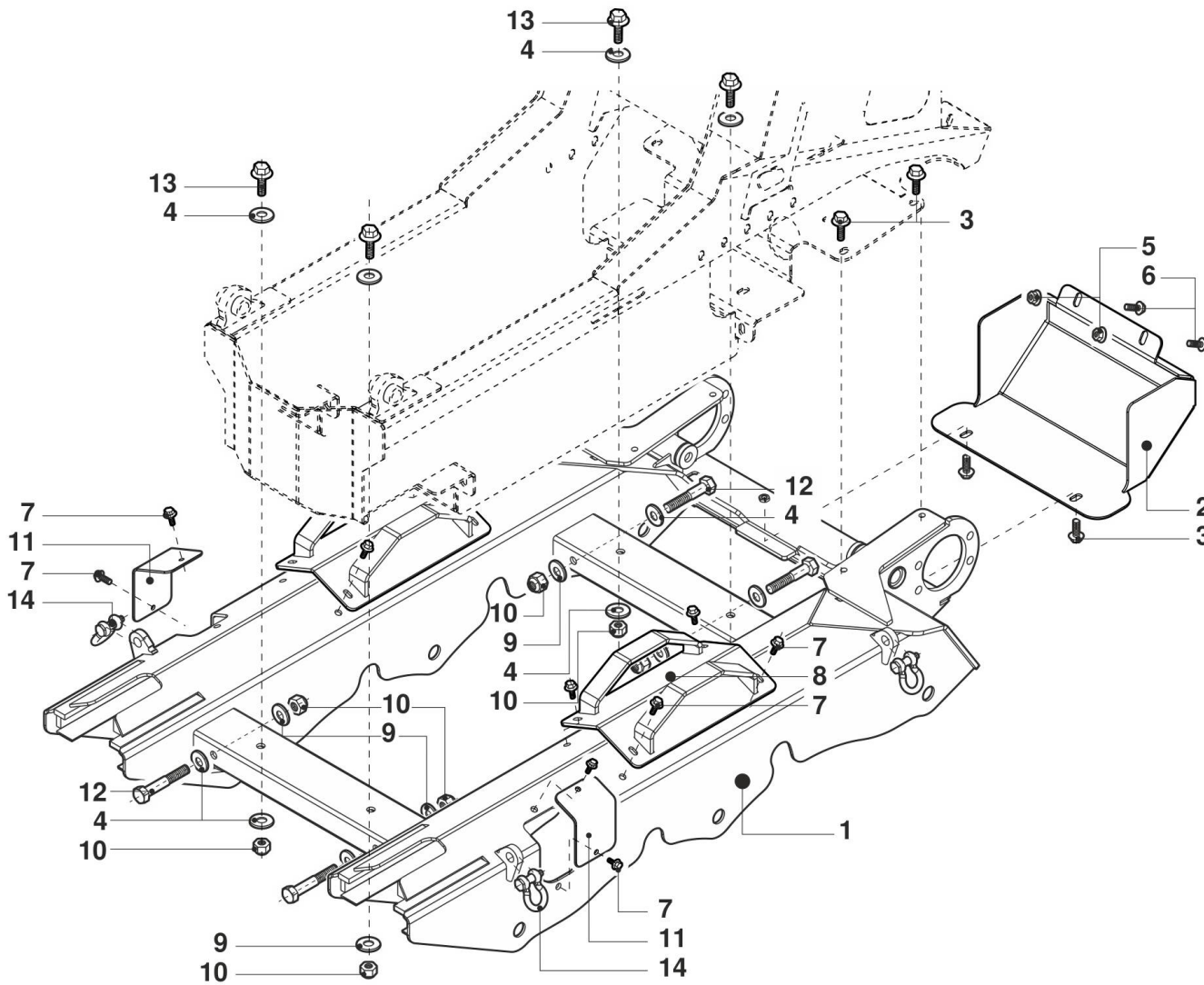
#	Code	Description	Specification	UM	Qty
35	C2047	LIVES	M6x16	NR	2
36	C3100.02.09	CARRIER CAP C55-60		NR	1
37	C0191.01.52	NUT IN CAGE	M6-2,5	NR	2



CRD.06.021.6

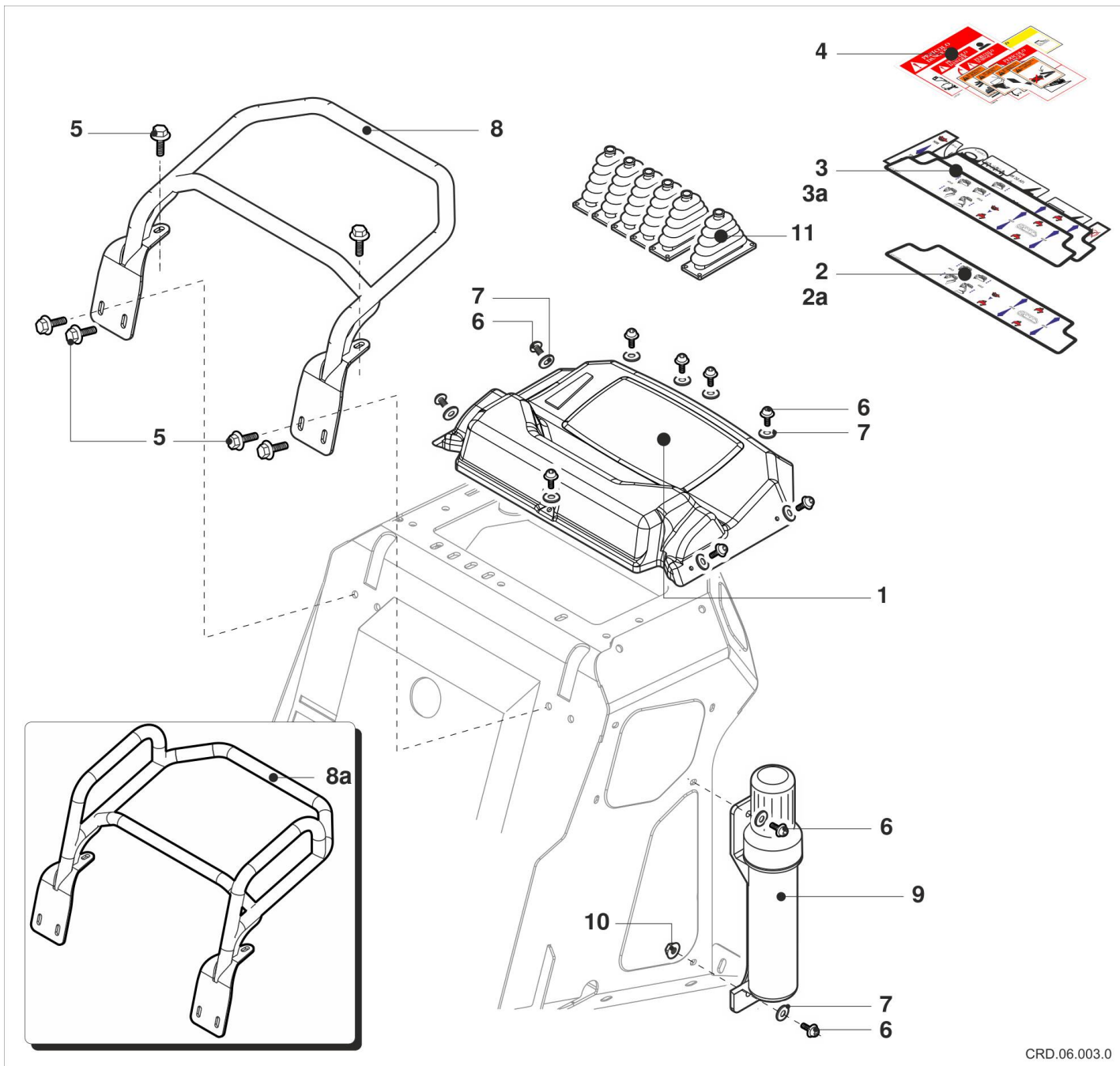
#	Code	Description	Specification	UM	Qty
1a	C3030.40.13	C3030.40.13	C60 RI / AC	NR	1
1b	C3030.40.11	C3030.40.11	C60 HI / HIAC	NR	1
2	C3000.27.00	PLATFORM		NR	1
3	C3000.27.04	PLATFORM STOP		NR	1
4	C2023	NUT	M12	NR	2
5	C0192.01.12	WASHER	M12	NR	2
6	C3000.27.01	SUPPORT	Dx/R	NR	1
7	C2073	T.E. PIN M12*30	M12x30	NR	2
8	C0191.01.14	M8 FLANGED NUT	M8	NR	6
9	C3000.27.05	SUPPORT	Sx/L	NR	1
10	C0190.33.02	FLANGED TE SCREW 8X20 ZN	M8x20	NR	6
11	C0190.32.03	LIVES	M6x20	NR	1
12	C3010.04.02	CORK		NR	1
13	C3070.10.02	BATTERY COVER		NR	1
14	C1052.00.03	KNOB	M6x25	NR	3
15	C1184	ANTI-VIBRATION	Ø40 h20 M8	NR	2
16a	C3030.19.02	BUFFER SUPPORT	RI	NR	2
16b	C3030.19.03	AC BUFFER SUPPORT	AC	NR	2
16c	C3030.19.04	HI-TIP BUFFER SUPPORT	HI	NR	2
17	C0192.01.08	WASHER	M8	NR	2
18	C2085	NUT	M8	NR	2
19	C3030.41.00	SUPPORT	60 HI	NR	1
20	C3030.41.02	BOX SAFETY S.60 RI	60 RI	NR	1
20a	C3030.41.01	SUPPORT	60 HI	NR	1
21a	C3000.25.04	C3000.25.04	C60 RI / AC	NR	1
21b	C3000.25.05	CARTERINO	C60 HI / HIAC	NR	1
22	C0094.01.01	GREASER	M6	NR	2
23	C3000.19.10	COMPLETE C60 PLATFORM KIT		NR	1
24	C3000.17.14	CARTERINO		NR	1
25	C3000.17.15	CARTERINO		NR	1
26	C0190.33.01	LIVES	M8x16	NR	2
27	C0190.12.03	FLAT HEAD SOCKET CAP SCREW	M6x20	NR	4
28	C0192.01.62	WASHER	M6x24	NR	4
29	C0191.01.13	M6 FLANGED NUT	M6	NR	6
30	C3000.17.12	LEFT CRANKCASE COVER		NR	1
31	C3000.17.13	RIGHT CRANKCASE COVER		NR	1
32	C0190.34.05	LIVES	M10x35	NR	4
33	C3030.26.00	BAR OF SOAP		NR	2
34	C0191.01.15	M10 FLANGED NUT	M10	NR	4
35	C0190.02.00	SCREW T.C.E.I.	M6X16	NR	2

#	Code	Description	Specification	UM	Qty
36	C3100.02.09	CARRIER CAP C55-60		NR	1
37	C0191.01.52	NUT IN CAGE	M6-2,5	NR	2
38	C0189.01.02	INSERT	M6	NR	12



CRD.06.002.1

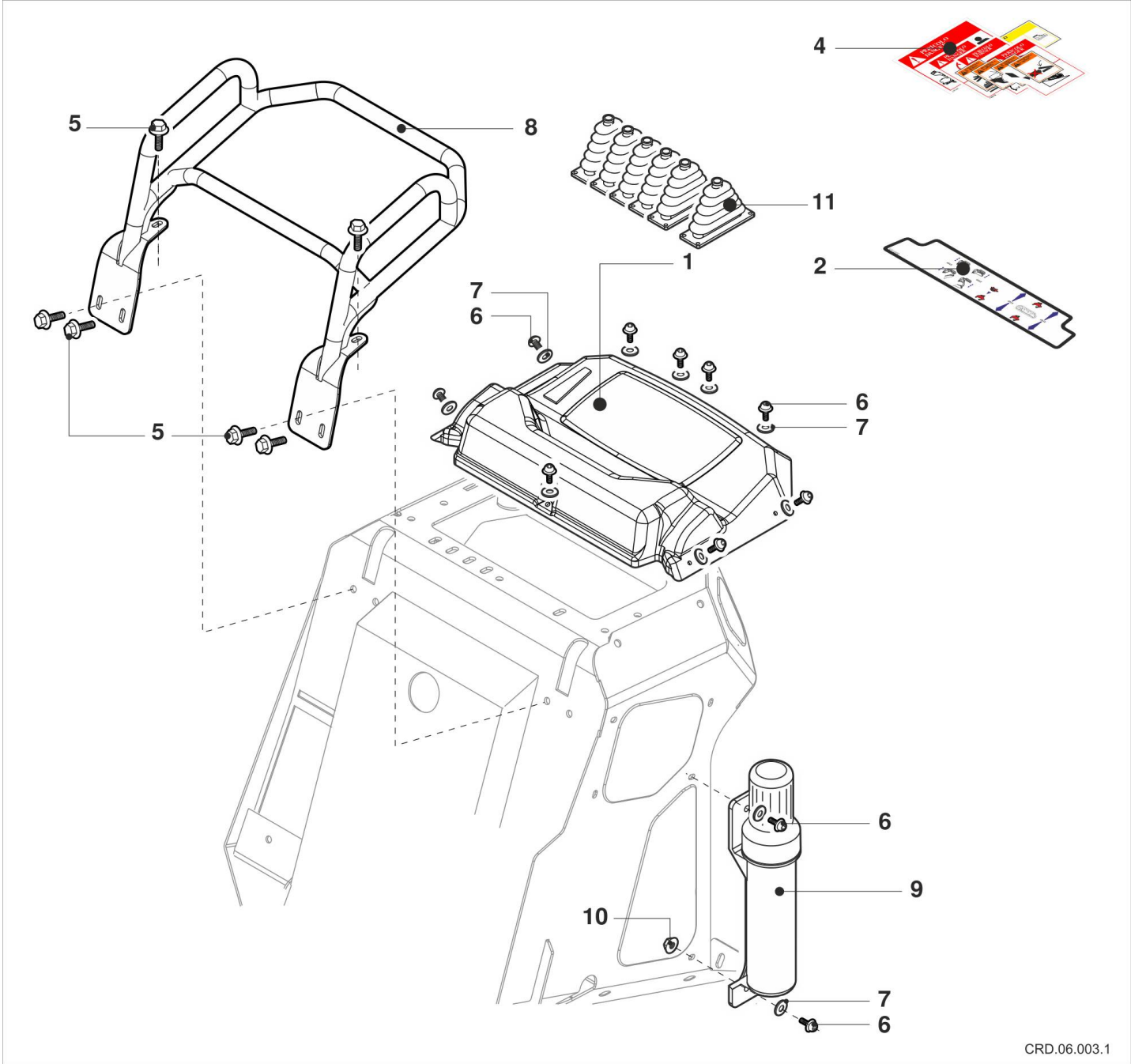
#	Code	Description	Specification	UM	Qty
1	C3040.02.02	UNDERCARRIAGE E3 600 KG	S60	NR	1
2	C3000.26.00	ARMOURAGE		NR	1
3	C2050.00.01	T.E. SCREW	M10x16	NR	6
4	C2012.00.10	THICKENED WASHER D.10	M10	NR	12
5	C2030.01.00	NUT	M6	NR	2
6	C2087	FLANGED SCREW 6X16	M6x16	NR	2
7	C0190.32.03	LIVES	M6x20	NR	10
8	C3040.04.02	SKATE		NR	2
9	C2002	WASHER	M10	NR	6
10	C2022	NUT	M10	NR	8
11	C7081.03.02	COVER		NR	2
12	C2054.01.00	T.E. SCREW	M10x110	NR	4
13	C2052.01.00	LIVES	M10x70	NR	4
14	C0280.00.04	HOOK	7/16"	NR	4



CRD.06.003.0

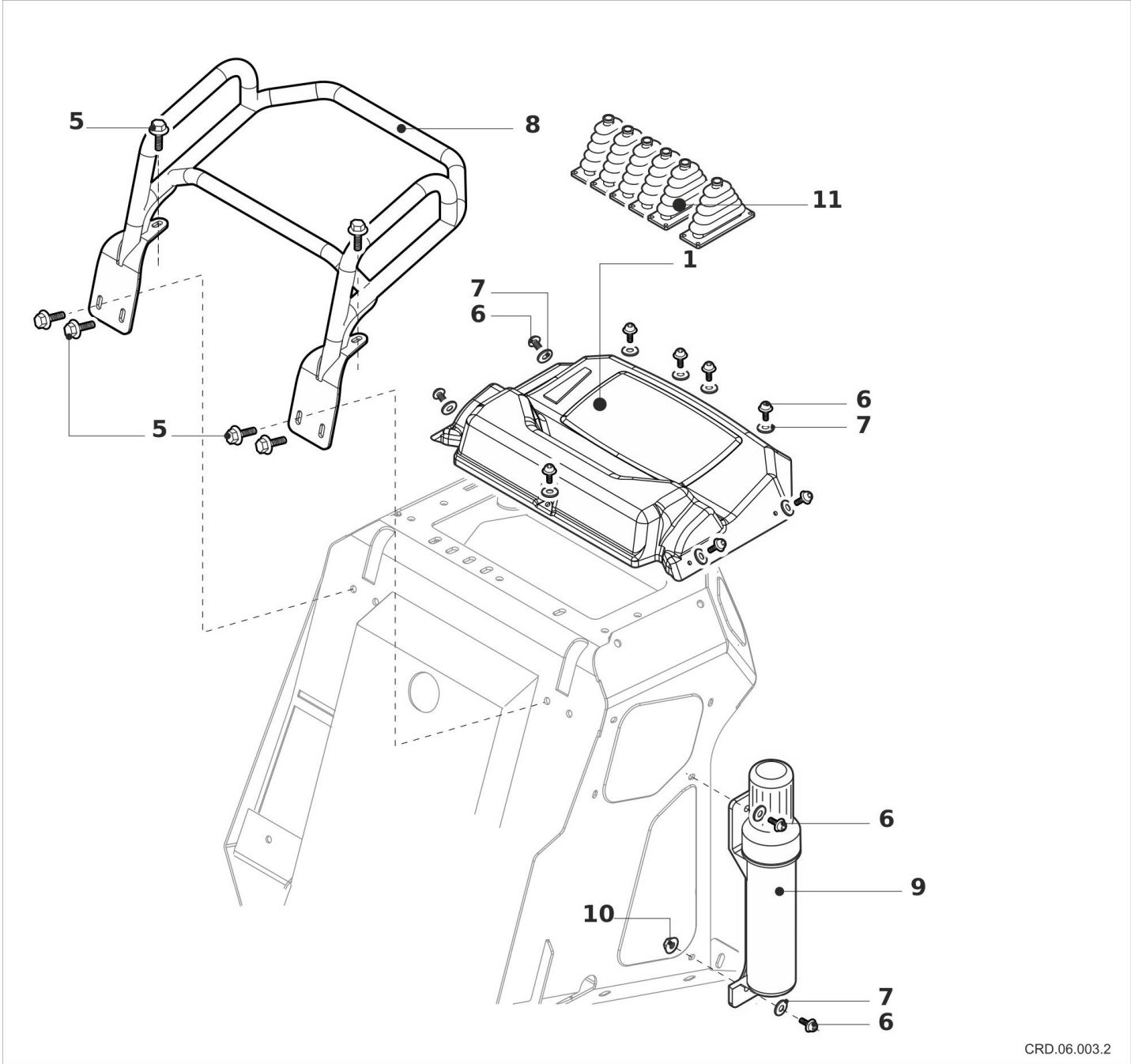
#	Code	Description	Specification	UM	Qty
1	C3060.03.02	CONSOLE	C60 RI	NR	1
1	C3060.03.03	CONSOLE	C60 HI	NR	1
1	C3060.03.04	CONSOLE	C60 DHEAC	NR	1
1	C3060.03.06	CONSOLE	C60 ACBHE	NR	1
1	C3060.03.13	CONSOLE	C60 AC	NR	1
2	C3090.14.00	ADHESIVE		NR	1
2a	C3090.14.01	ADHESIVE	Hi-Tip	NR	1
3	C3090.14.10	CONSOLE		NR	1
3a	C3090.14.11	CONSOLE	Hi-Tip	NR	1
4	C1094.50.01	STICKER KIT	S60	NR	1
5	C0190.32.03	LIVES	M6x20	NR	6
6	C2063.11.02	LIVES	M6x20	NR	10
7	C0192.01.06	WASHER	M6	NR	10
8	C1092.13.06	HANDLE	S60	NR	1
8a	C1092.13.16	HANDLE	S60	NR	1
9	C0060.02.00	DOCUMENT HOLDER	Ø55	NR	1
10	C0191.01.13	M6 FLANGED NUT	M6	NR	1
11	C1120.00.02	BELLOWS	Ø10	NR	1





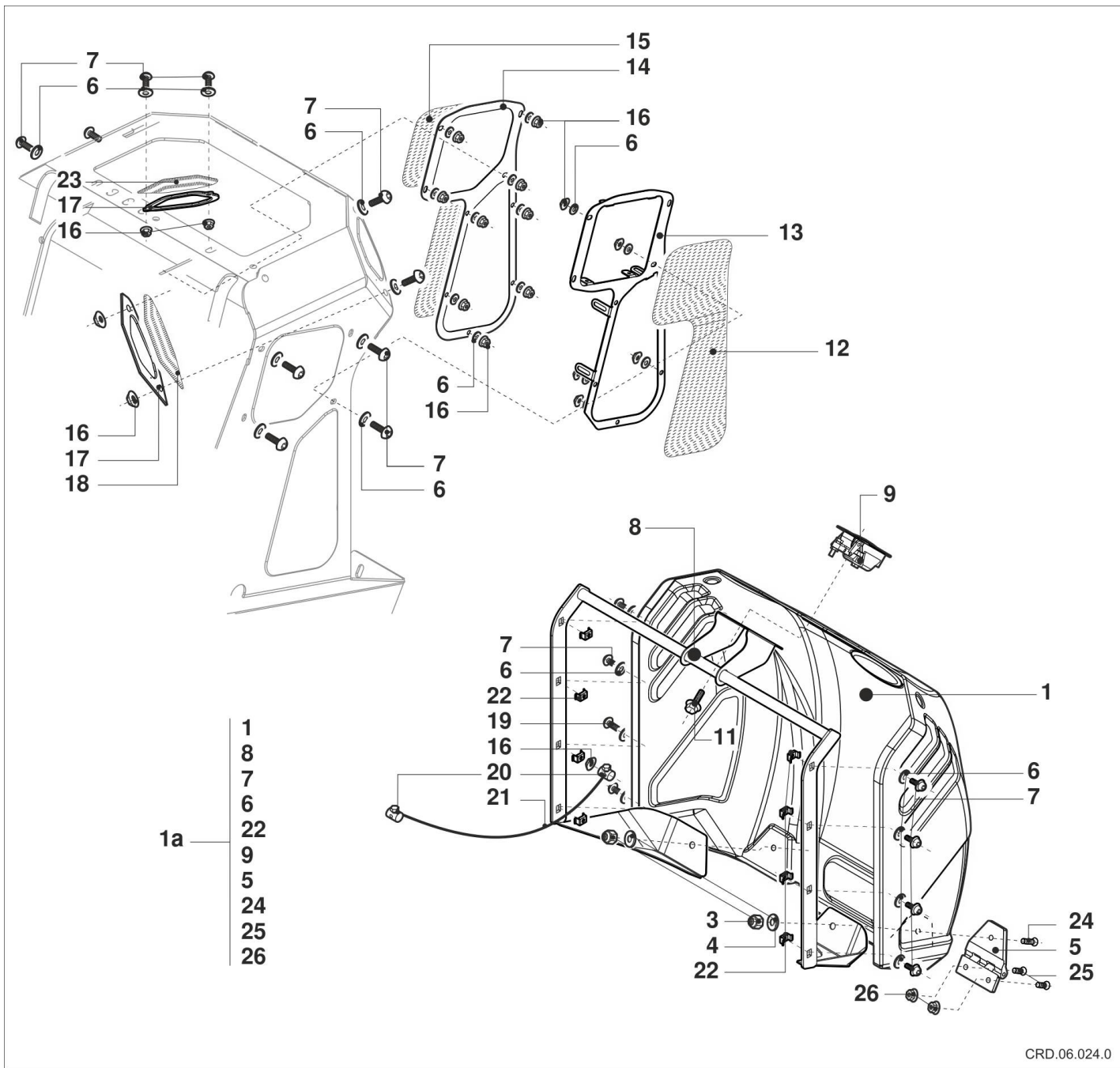
CRD.06.003.1

#	Code	Description	Specification	UM	Qty
1	C3060.03.54	CONSOLE	C60 RI	NR	1
1	C3060.03.55	CONSOL	C60 HI	NR	1
1	C3060.03.56	CONSOLE	C60 DHEAC	NR	1
1	C3060.03.57	CONSOLE	C60 AC	NR	1
1	C3060.03.58	CONSOLE	C60 ACBHE	NR	1
2	C1095.60.00	ADHESIVE	S60 RI	NR	1
2	C1095.60.10	STICKERS	S60 HI	NR	1
2	C1096.60.26	STIKERS KEYBOARD	S60 AC	NR	1
2	C1096.60.34	STIKERS KEYBOARD	S60 HIAC	NR	1
4	C1096.60.01	STICKER KIT	C60	NR	1
5	C0190.32.03	LIVES	M6x20	NR	6
6	C2063.11.02	LIVES	M6x20	NR	10
7	C0192.01.06	WASHER	M6	NR	10
8	C1092.13.16	HANDLE	S60	NR	1
9	C0060.02.00	DOCUMENT HOLDER	Ø55	NR	1
10	C0191.01.13	M6 FLANGED NUT	M6	NR	1
11	C1120.00.03	BELLOWS	Ø10x12	NR	0

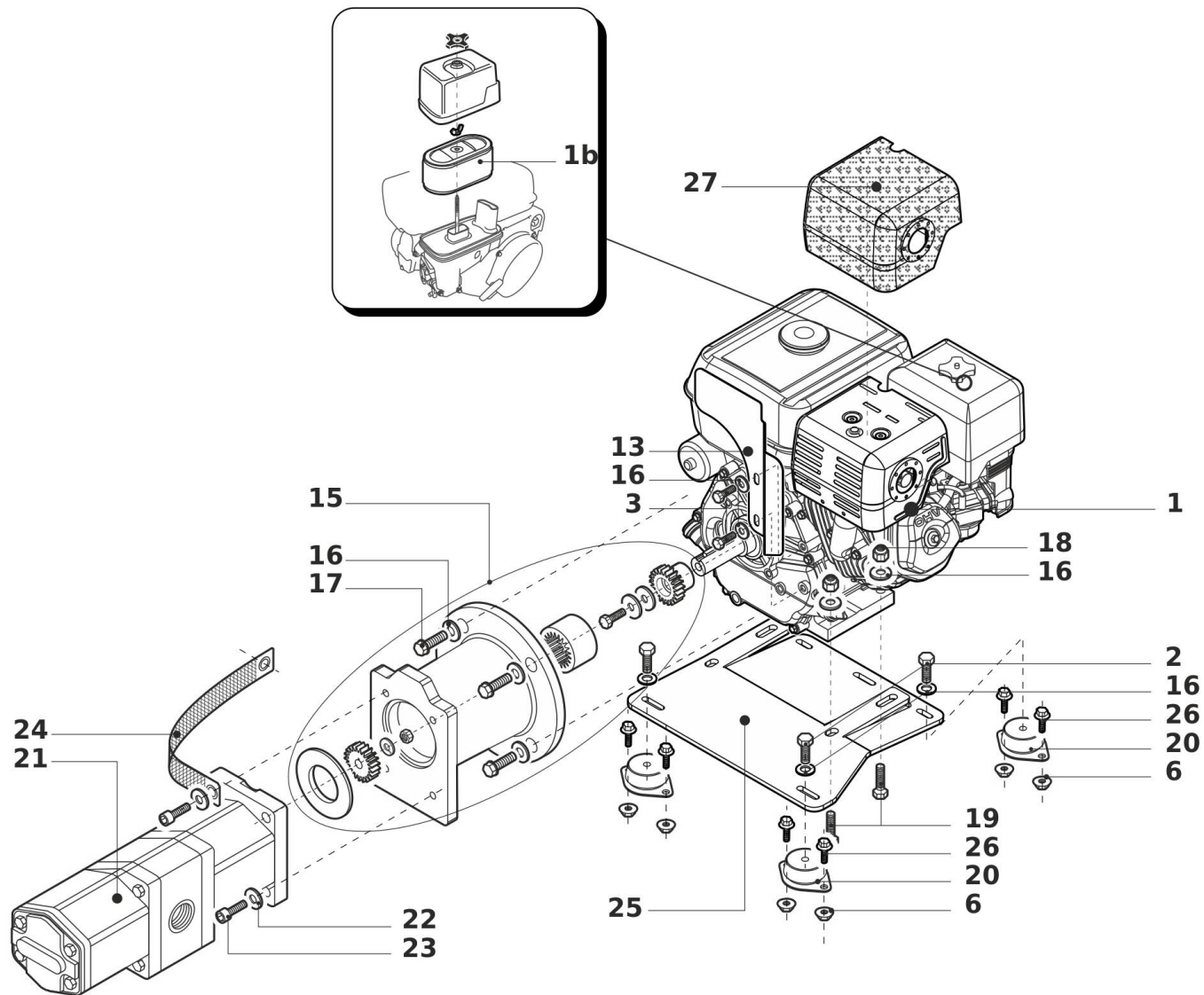


CRD.06.003.2

#	Code	Description	Specification	UM	Qty
1	C3060.03.74	CONSOLE C.60 RI DISTRIBUTOR	C60H-RI,C60H-RIA,C60KH...	NR	1
1	C3060.03.75	C6.60 HI DISTRIBUTOR CONSOLE	C60H-HI,C60KH-HI	NR	1
1	C3060.03.76	CONSOLE C6.60 HIAC BENZ DIES	C60H-HIAC,C60KH-HIAC	NR	1
1	C3060.03.77	CONSOLE C6.60 AC DISTRIBUTOR	C60H-AC,C60KH-AC	NR	1
5	C0190.32.03	LIVES	M6x20	NR	6
6	C2063.11.02	LIVES	M6x20	NR	10
7	C0192.01.06	WASHER	M6	NR	10
8	C1092.13.16	HANDLE	S60	NR	1
9	C0060.02.00	DOCUMENT HOLDER	Ø55	NR	1
10	C0191.01.13	M6 FLANGED NUT	M6	NR	1
11	C1120.00.03	BELLOWS	Ø10x12	NR	0



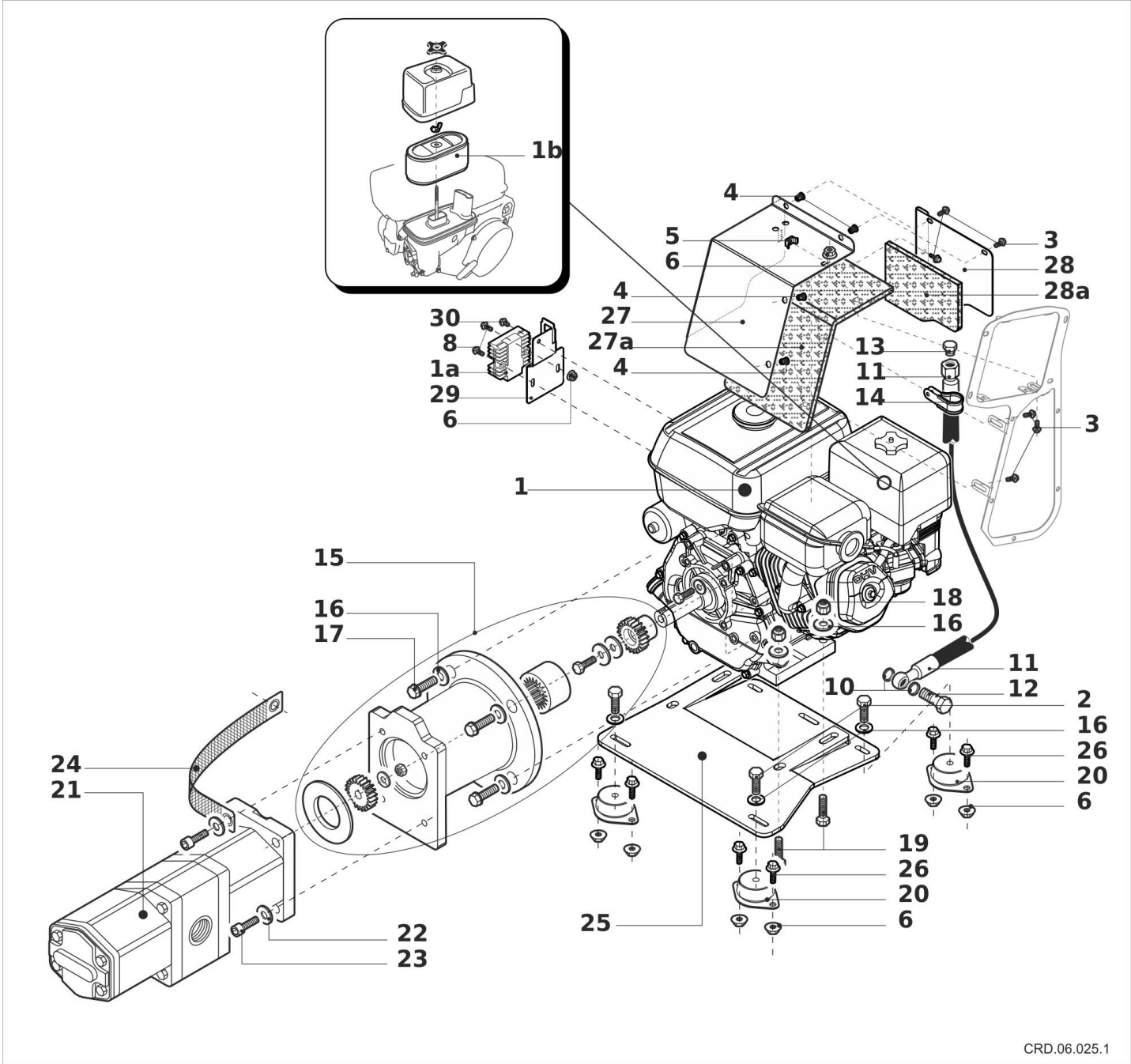
#	Code	Description	Specification	UM	Qty
1	C3060.00.01	ENGINE BONNET	S60	NR	1
1a	C3060.01.00	ENGINE BONNET	S60	NR	1
3	C2021	NUT	M8	NR	4
4	C2001	WASHER	M8	NR	4
5	C3060.08.06	HINGE		NR	2
6	C0192.01.06	WASHER	M6	NR	34
7	C2063.11.02	LIVES	M6x20	NR	11
8	C3060.05.00	SUPPORT	S60	NR	1
9	C3060.08.10	DOOR LOCK	con chiavi	NR	1
9	C3060.08.11	KEY	ricambio	NR	1
11	C2087	FLANGED SCREW 6X16	M6x16	NR	1
12	C3000.29.01	RETINA	S60	NR	1
12	C3000.29.11	NET WITH HOLE	C60H	NR	1
13	C3000.28.10	CORNICE	S60b	NR	1
14	C3000.28.02	CORNICE	S60	NR	1
15	C3000.29.02	RETINA	S60	NR	1
16	C2030.01.00	NUT	M6	NR	21
17	C3010.12.05	UPPER RETINA FRAME		NR	2
18	C3000.29.03	LEFT SUPERIOR RETINA	S60	NR	1
19	C2063.11.04	LIVES	M6x35	NR	1
20	C1199	ADJUSTER		NR	2
21	C3060.08.20	CABLE		NR	1
22	C0191.01.53	M6 CAGE NUT	M6-3,5	NR	8
23	C3000.29.04	RETINA		NR	1
24	C0190.13.04	LIVES	M8x30	NR	2
25	C0190.13.02	LIVES	M8x20	NR	4
26	C0191.01.14	M8 FLANGED NUT	M8	NR	2



CRD.06.025.0

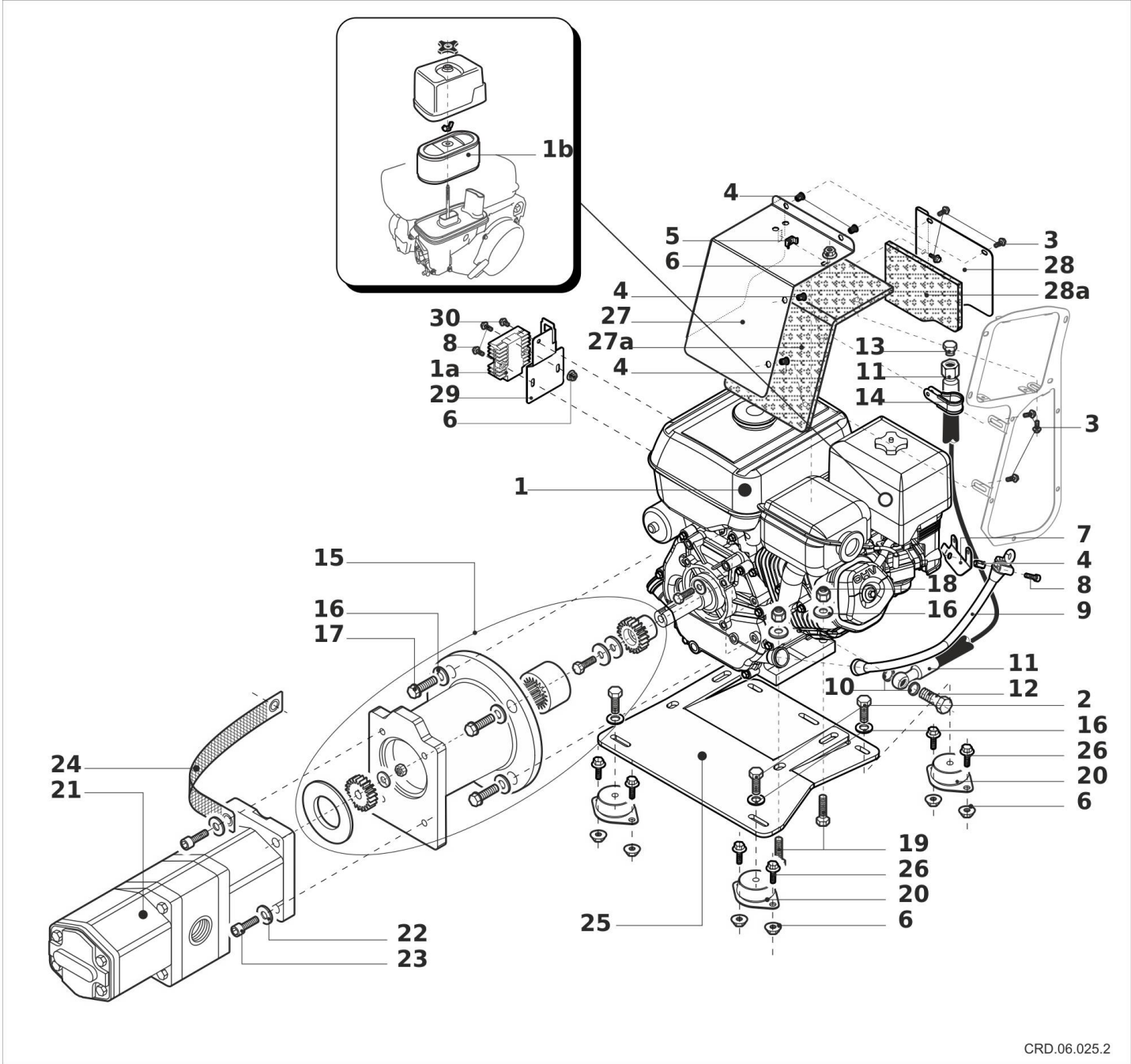
#	Code	Description	Specification	UM	Qty
1	C1109.00.10	ENGINE HONDA GX 270 10A		NR	1
1b	C1254.01.00	HONDA GX 270 AIR FILTER		NR	1
2	C0190.23.05	TE SCREW 8X35	M8x35	NR	4
3	C2046	LIVES	UNF 5/16x1-1/4	NR	2
6	C0191.01.13	M6 FLANGED NUT	M6	NR	10
13	C1092.16.04	CARTER		NR	1
15	C1254.00.03	GX270-LN70 COUPLING	cpt	NR	1
16	C0192.01.08	WASHER	M8	NR	8
17	C0190.93.04	LIVES	UNF 5/16x1	NR	4
18	C0191.01.24	SELF-LOCKING NUT M8	M8	NR	4
19	C2015.01.00	LIVES	M8x40	NR	4
20	C1119	ANTI-VIBRATION	Ø46 h22 int.sse68...	NR	4
21	C3120.04.00	PUMP C75	3-1	NR	1
22	C0192.01.06	WASHER	M6	NR	4
23	C2015.02.00	SCREW T.C.E.I.	M6x25	NR	4
24	C1118.10.00	WIRE		NR	1
25	C3000.09.06	PLATE		NR	1
26	C0190.32.03	LIVES	M6x20	NR	9
27	C3210.26.05	COVERING		NR	1





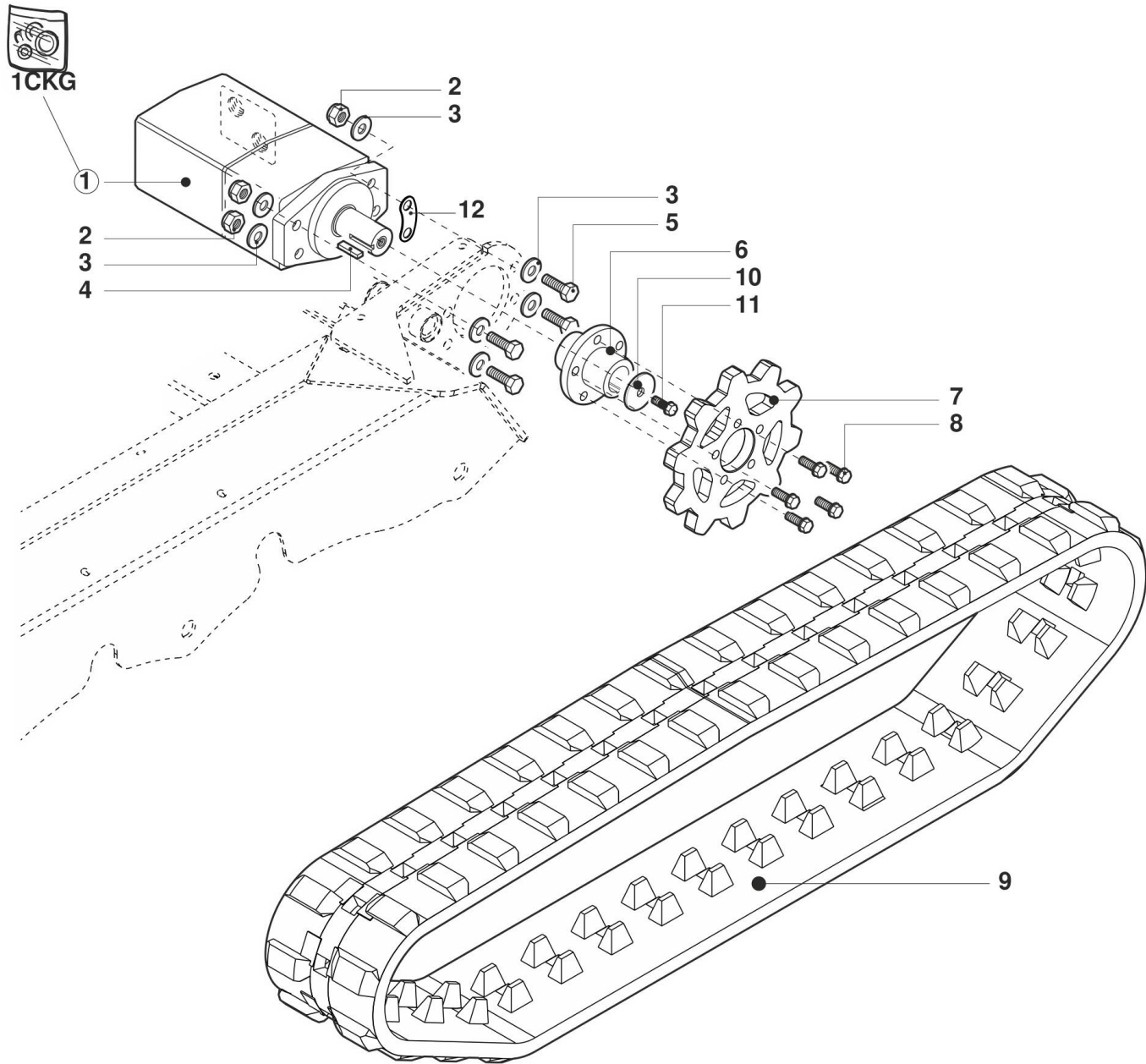
CRD.06.025.1

#	Code	Description	Specification	UM	Qty
1	C1109.00.10	ENGINE HONDA GX 270 10A		NR	1
1a	C0730.40.21	REGULATOR	Honda	NR	1
1b	C1254.01.00	HONDA GX 270 AIR FILTER		NR	1
2	C0190.23.05	TE SCREW 8X35	M8x35	NR	4
3	C0190.22.02	T.E. SCREW M6X16	M6x16	NR	6
4	C0189.01.02	INSERT	M6	NR	4
5	C0191.01.52	NUT IN CAGE	M6-2,5	NR	1
6	C0191.01.13	M6 FLANGED NUT	M6	NR	11
8	C0190.32.03	LIVES	M6x20	NR	2
10	C0020.05.10	COPPER GASKET	M12	NR	2
11	C3020.10.04	KOHLER OIL DRAIN HOSE	Occhio M12 - FD 1/4"...	NR	1
12	C0020.07.10	12 DRILLED BOLT	M12	NR	1
13	C0020.03.02	M1/4 GAS CAP	1/4" M	NR	1
14	C0030.03.16	CABLE TIE	Ø16	NR	1
15	C1254.00.03	GX270-LN70 COUPLING	cpt	NR	1
16	C0192.01.08	WASHER	M8	NR	8
17	C0190.93.04	LIVES	UNF 5/16x1	NR	4
18	C0191.01.24	SELF-LOCKING NUT M8	M8	NR	4
19	C2015.01.00	LIVES	M8x40	NR	4
20	C1119	ANTI-VIBRATION	Ø46 h22 int.sse68...	NR	4
21	C3120.04.00	PUMP C75	3-1	NR	1
22	C0192.01.06	WASHER	M6	NR	4
23	C2015.02.00	SCREW T.C.E.I.	M6x25	NR	4
24	C1118.10.00	WIRE		NR	1
25	C3000.09.06	PLATE		NR	1
26	C0190.32.03	LIVES	M6x20	NR	9
27	C3000.28.11	GX 270 A.E. EXHAUST COVER	S60b	NR	1
27a	C3000.28.61	COVERING		NR	1
28	C3000.28.12	GX 270 A.E. MUFFLER COVER	S60b	NR	1
28a	C3000.28.62	COVERING		NR	1
29	C3010.07.01	GX 270 CONTROL UNIT BRACKET		NR	1
30	C0190.32.01	FLANGE HEX HEAD CAP SCREW	M6x10	NR	1



CRD.06.025.2

#	Code	Description	Specification	UM	Qty
1	C1109.00.10	ENGINE HONDA GX 270 10A		NR	1
1a	C0730.40.21	REGULATOR	Honda	NR	1
1b	C1254.01.00	HONDA GX 270 AIR FILTER		NR	1
2	C0190.23.05	TE SCREW 8X35	M8x35	NR	4
3	C0190.22.02	T.E. SCREW M6X16	M6x16	NR	6
4	C0189.01.02	INSERT	M6	NR	5
5	C0191.01.52	NUT IN CAGE	M6-2,5	NR	1
6	C0191.01.13	M6 FLANGED NUT	M6	NR	11
7	C3010.12.08	BOELS FIXING PLATE		NR	1
8	C0190.32.03	LIVES	M6x20	NR	3
9	C1128.00.91	DIPSTICK		NR	1
10	C0020.05.10	COPPER GASKET	M12	NR	2
11	C3020.10.04	KOHLER OIL DRAIN HOSE	Occhio M12 - FD 1/4"...	NR	1
12	C0020.07.10	12 DRILLED BOLT	M12	NR	1
13	C0020.03.02	M1/4 GAS CAP	1/4" M	NR	1
14	C0030.03.16	CABLE TIE	Ø16	NR	1
15	C1254.00.03	GX270-LN70 COUPLING	cpt	NR	1
16	C0192.01.08	WASHER	M8	NR	8
17	C0190.93.04	LIVES	UNF 5/16x1	NR	4
18	C0191.01.24	SELF-LOCKING NUT M8	M8	NR	4
19	C2015.01.00	LIVES	M8x40	NR	4
20	C1119	ANTI-VIBRATION	Ø46 h22 int.sse68...	NR	4
21	C3120.04.00	PUMP C75	3-1	NR	1
22	C0192.01.06	WASHER	M6	NR	4
23	C2015.02.00	SCREW T.C.E.I.	M6x25	NR	4
24	C1118.10.00	WIRE		NR	1
25	C3000.09.06	PLATE		NR	1
26	C0190.32.03	LIVES	M6x20	NR	9
27	C3000.28.11	GX 270 A.E. EXHAUST COVER	S60b	NR	1
27a	C3000.28.61	COVERING		NR	1
28	C3000.28.12	GX 270 A.E. MUFFLER COVER	S60b	NR	1
28a	C3000.28.62	COVERING		NR	1
29	C3010.07.01	GX 270 CONTROL UNIT BRACKET		NR	1
30	C0190.32.01	FLANGE HEX HEAD CAP SCREW	M6x10	NR	1

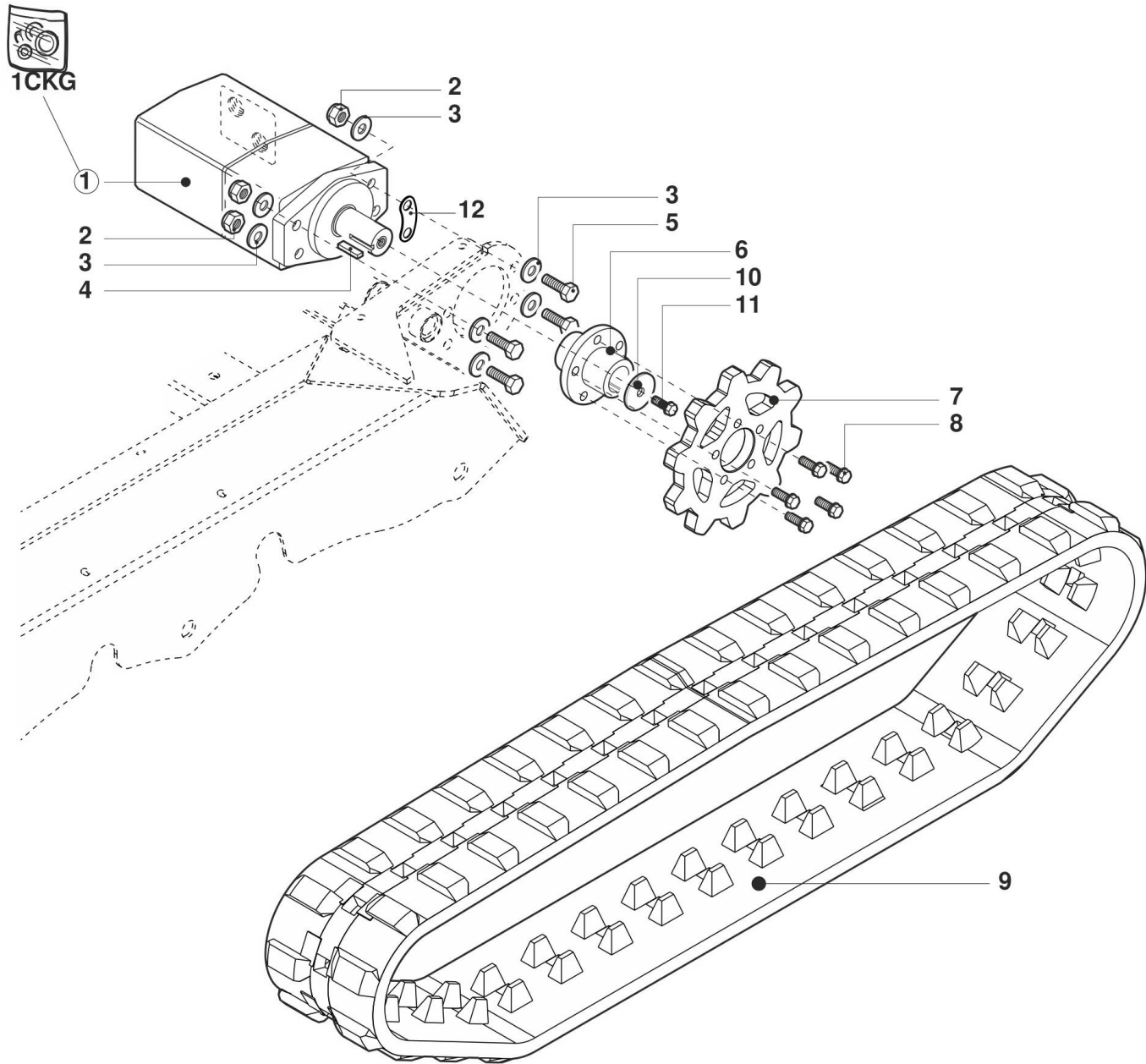


CRD.06.006.0

TRANSMISSION (Valid up to S/N CRM0D60KPF0L02486)

CRD\_06\_906\_0  
29/76

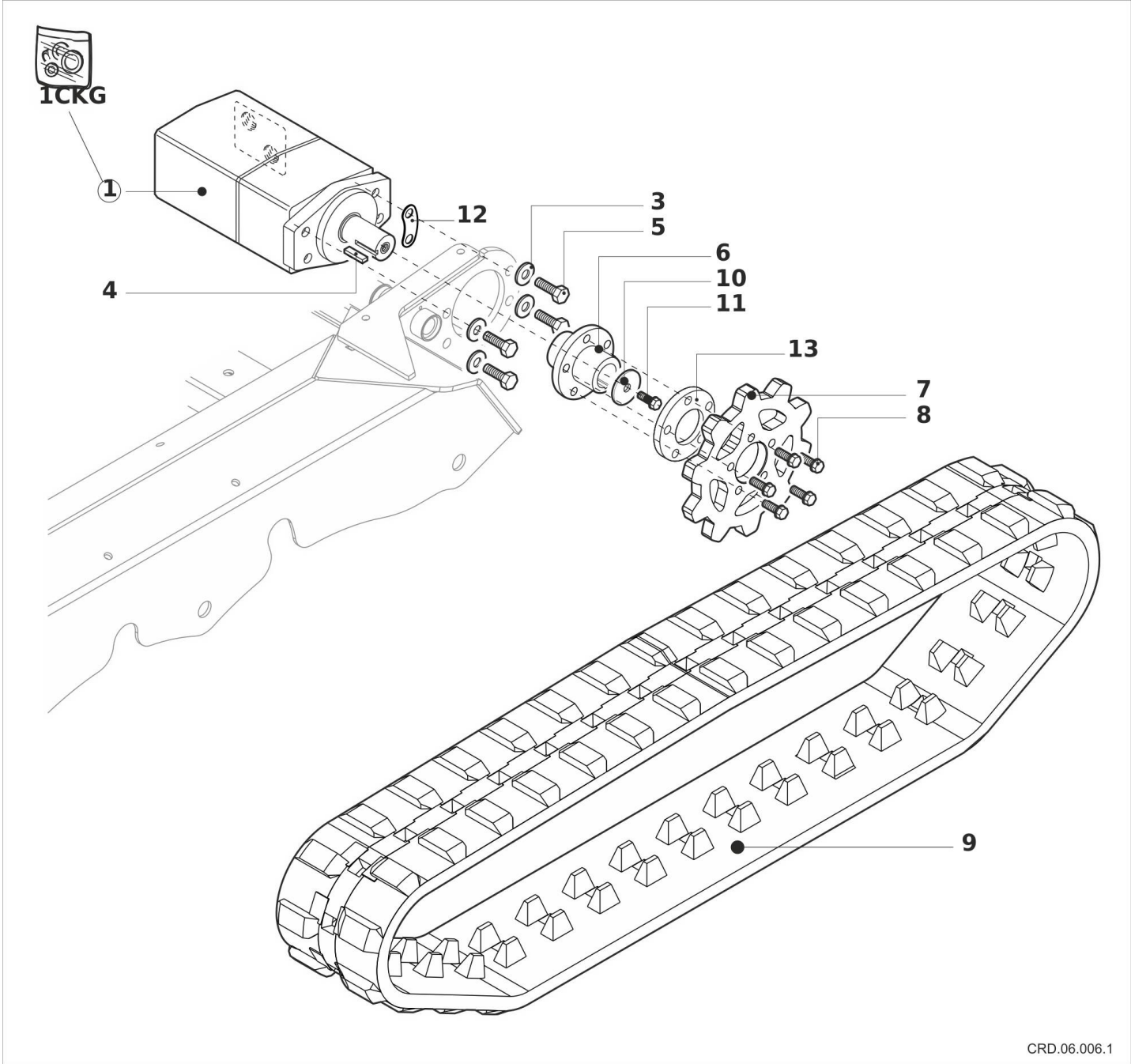
#	Code	Description	Specification	UM	Qty
1	C1074.00.14	HYDRAULIC MOTOR	C6.60	NR	2
1CKG	C1074.00.04.KG	ENGINE GASKET KIT	C6.50 / C6.60	NR	2
2	C2023	NUT	M12	NR	8
3	C2003	WASHER	M12	NR	16
4	C1023	TAB	10x8x20	NR	1
5	C0190.05.06	SCREW T.C.E.I.	M12x45	NR	8
6	C3040.10.00	HUB	C55 / S60	NR	1
7	C3040.09.00	DRIVING WHEEL	S60	NR	1
8	C2038	FLANGED SCREW 10X30	M10x30	NR	5
9	C3040.11.00	RUBBER TRACK	180x60x47	NR	2
10	C2012.00.02	WASHER	M8x48x8	NR	2
11	C2088	LIVES	M8x25	NR	2
12	C1074.90.02	SPACER	1mm	NR	1
12	C1074.90.04	SPACER	1.5mm	NR	1



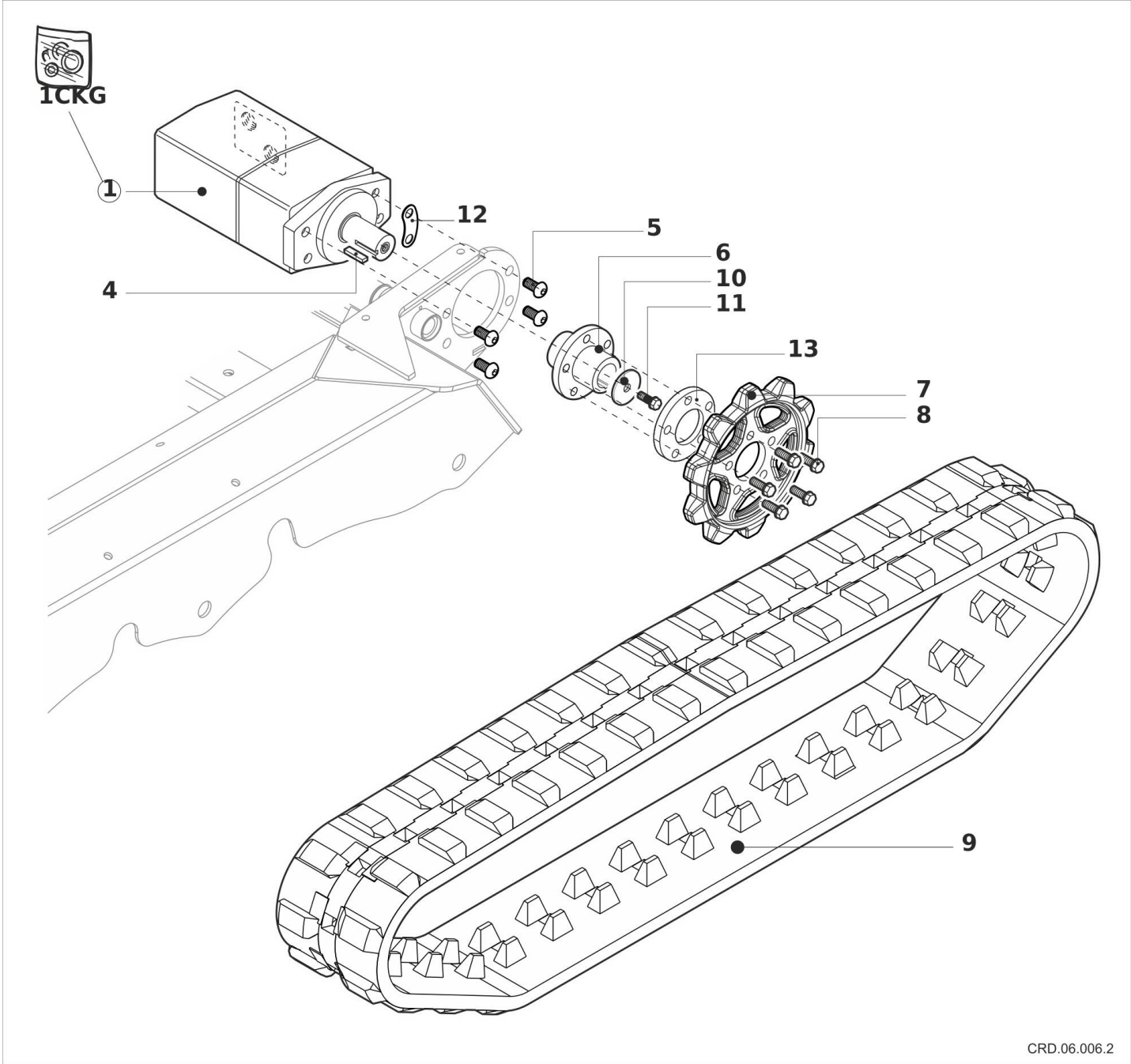
CRD.06.006.0

#	Code	Description	Specification	UM	Qty
1	C1074.00.16	HYDRAULIC MOTOR	C6.60	NR	2
1CKG	C1074.00.06.KG	HYDRAULIC MOTOR GASKET KIT	C6.50 / C55 / C6.60	NR	2
2	C2023	NUT	M12	NR	8
3	C2003	WASHER	M12	NR	16
4	C1023	TAB	10x8x20	NR	1
5	C0190.25.06	TE PIN M12X45	M12x45	NR	8
6	C3040.10.00	HUB	C55 / S60	NR	1
7	C3040.09.00	DRIVING WHEEL	S60	NR	1
8	C2038	FLANGED SCREW 10X30	M10x30	NR	5
9	C3040.11.00	RUBBER TRACK	180x60x47	NR	2
10	C2012.00.02	WASHER	M8x48x8	NR	2
11	C2088	LIVES	M8x25	NR	2
12	C1074.90.02	SPACER	1mm	NR	1
12	C1074.90.04	SPACER	1.5mm	NR	1



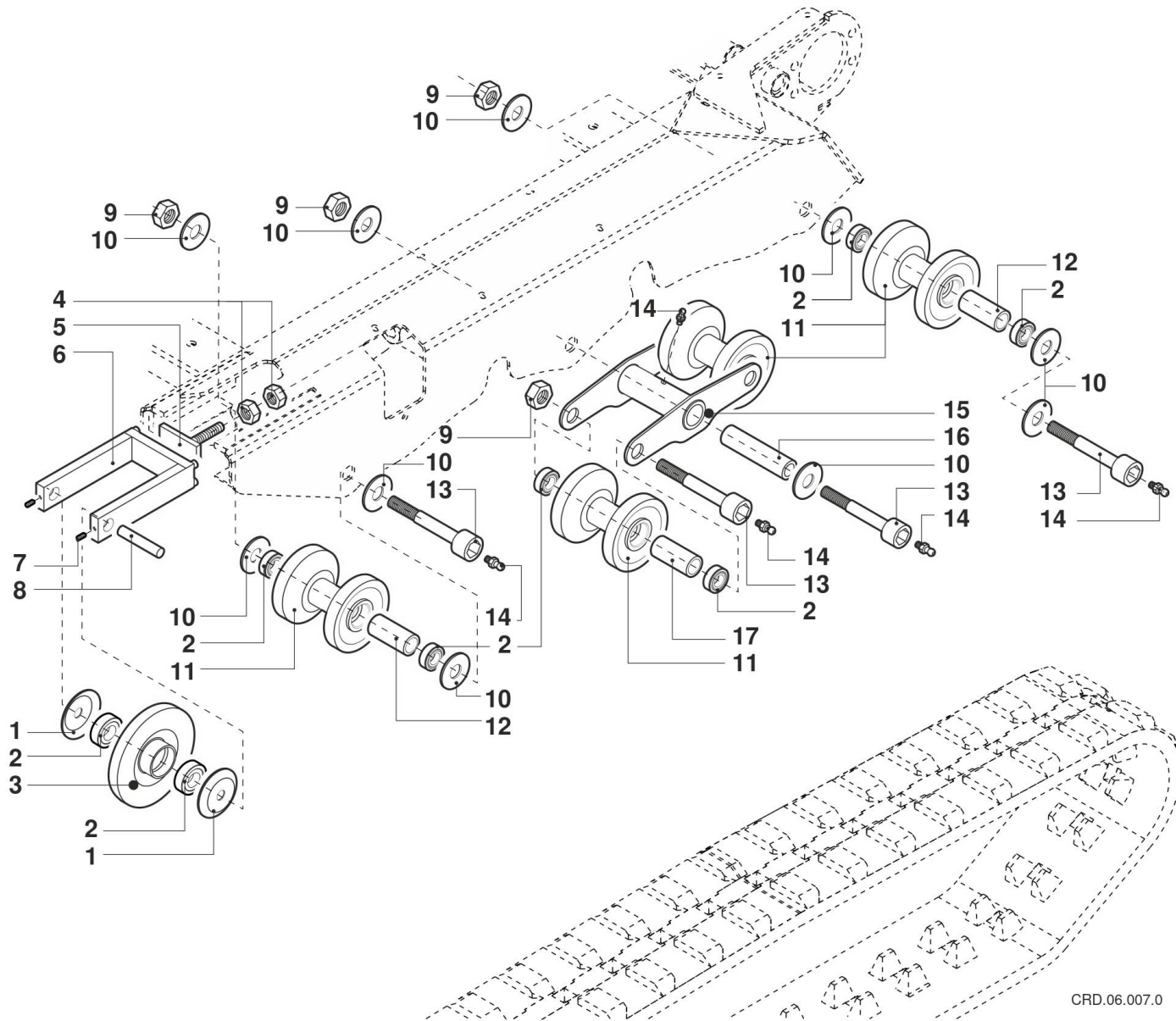


#	Code	Description	Specification	UM	Qty
1	C1074.00.26	HYDRAULIC MOTOR	C55 / C6.60	NR	2
1CKG	C1074.00.06.KG	HYDRAULIC MOTOR GASKET KIT	C6.50 / C55 / C6.60	NR	2
3	C0192.01.12	WASHER	M12	NR	8
4	C1023	TAB	10x8x20	NR	1
5	C0190.25.04	TE PIN M12X35	M12x35	NR	8
6	C3040.10.00	HUB	C55 / S60	NR	1
7	C3040.09.00	DRIVING WHEEL	S60	NR	1
8	C0190.34.04	LIVES	M10x30	NR	5
9	C3040.11.00	RUBBER TRACK	180x60x47	NR	2
10	C2012.00.02	WASHER	M8x48x8	NR	2
11	C2088	LIVES	M8x25	NR	2
12	C1074.90.02	SPACER	1mm	NR	1
12	C1074.90.04	SPACER	1.5mm	NR	1
13	C3040.10.09	DRIVE WHEEL SPACER C55-		NR	2



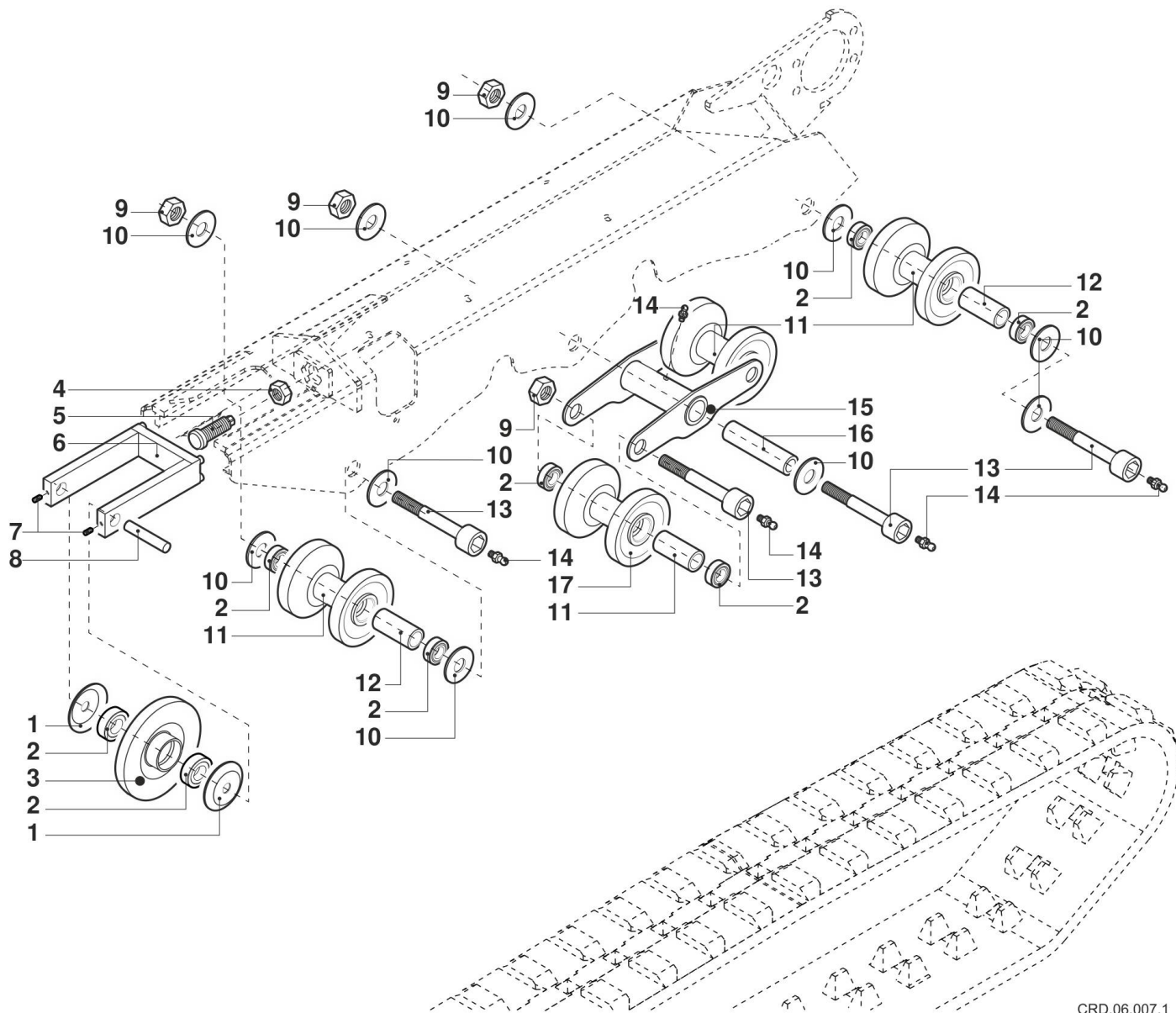
CRD.06.006.2

#	Code	Description	Specification	UM	Qty
1	C1074.00.26	HYDRAULIC MOTOR	C55 / C6.60	NR	2
1CKG	C1074.00.06.KG	HYDRAULIC MOTOR GASKET KIT	C6.50 / C55 / C6.60	NR	2
4	C1023	TAB	10x8x20	NR	1
5	C0190.55.02	SCREW TBEI M12X25	M12x25	NR	8
6	C3040.10.00	HUB	C55 / S60	NR	1
7	C3040.09.51	DRIVING WHEEL	C55 / S60	NR	1
8	C0190.34.04	LIVES	M10x30	NR	5
9	C3040.11.00	RUBBER TRACK	180x60x47	NR	2
10	C2012.00.02	WASHER	M8x48x8	NR	2
11	C0190.33.03	FLANGED TE SCREW 8X25	M8x25	NR	2
12	C1074.90.02	SPACER	1mm	NR	1
12	C1074.90.04	SPACER	1.5mm	NR	1
13	C3040.10.09	DRIVE WHEEL SPACER C55-		NR	2



CRD.06.007.0

#	Code	Description	Specification	UM	Qty
1	C1036.01.00	WASHER		NR	4
2	C1068	BEARING BALLS	6304	NR	14
3	C1035.00.02	IDLER WHEEL		NR	2
4	C2033	NUT	M16	NR	4
5	C3040.08.00	LIVES		NR	2
6	C1304	FORK		NR	2
7	C2027	ROLLER SCREW	M8x20	NR	4
8	C1135	AXIS	Ø20	NR	2
9	C2025	SELF-BLOCKING DICE	M20	NR	6
10	C2004	WASHER	M20 ZN	NR	18
11	C1036	ROLLER		NR	8
12	C1046	SPACER	21x27x90	NR	4
13	C2071.00.02	SCREW TCEI 20X180	M20x180	NR	10
14	C1047	GREASER	M6	NR	2
15	C3040.05.00	BALANCER		NR	2
16	C1036.04.01	SPACER	Ø30x129	NR	2
17	C1036.01.04	SPACER	Ø27x78	NR	4



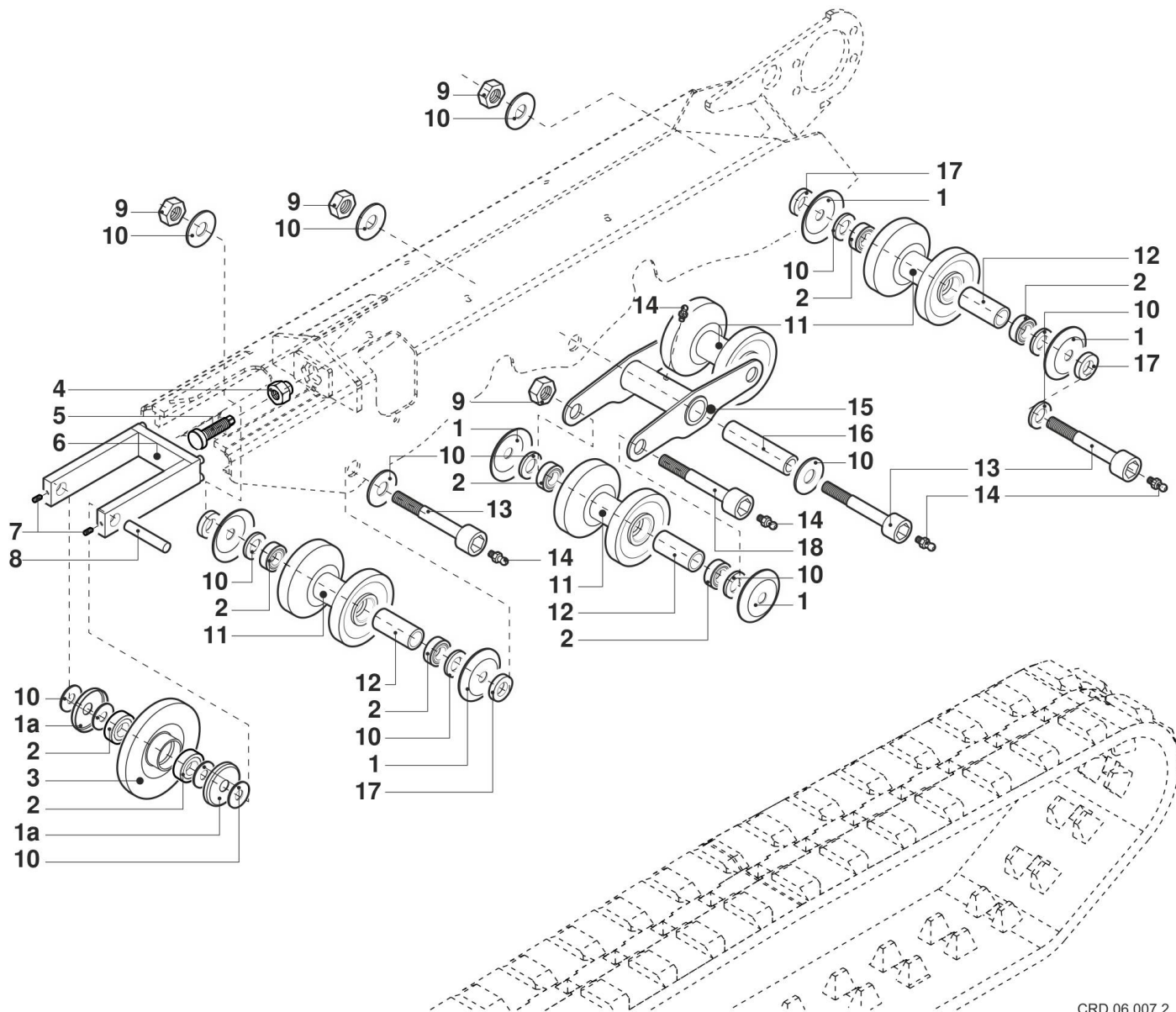
CRD.06.007.1



WHEELS AND ROLLERS (Valid from S/N 06581415 to S/N CRM0D60JHG0B08448)

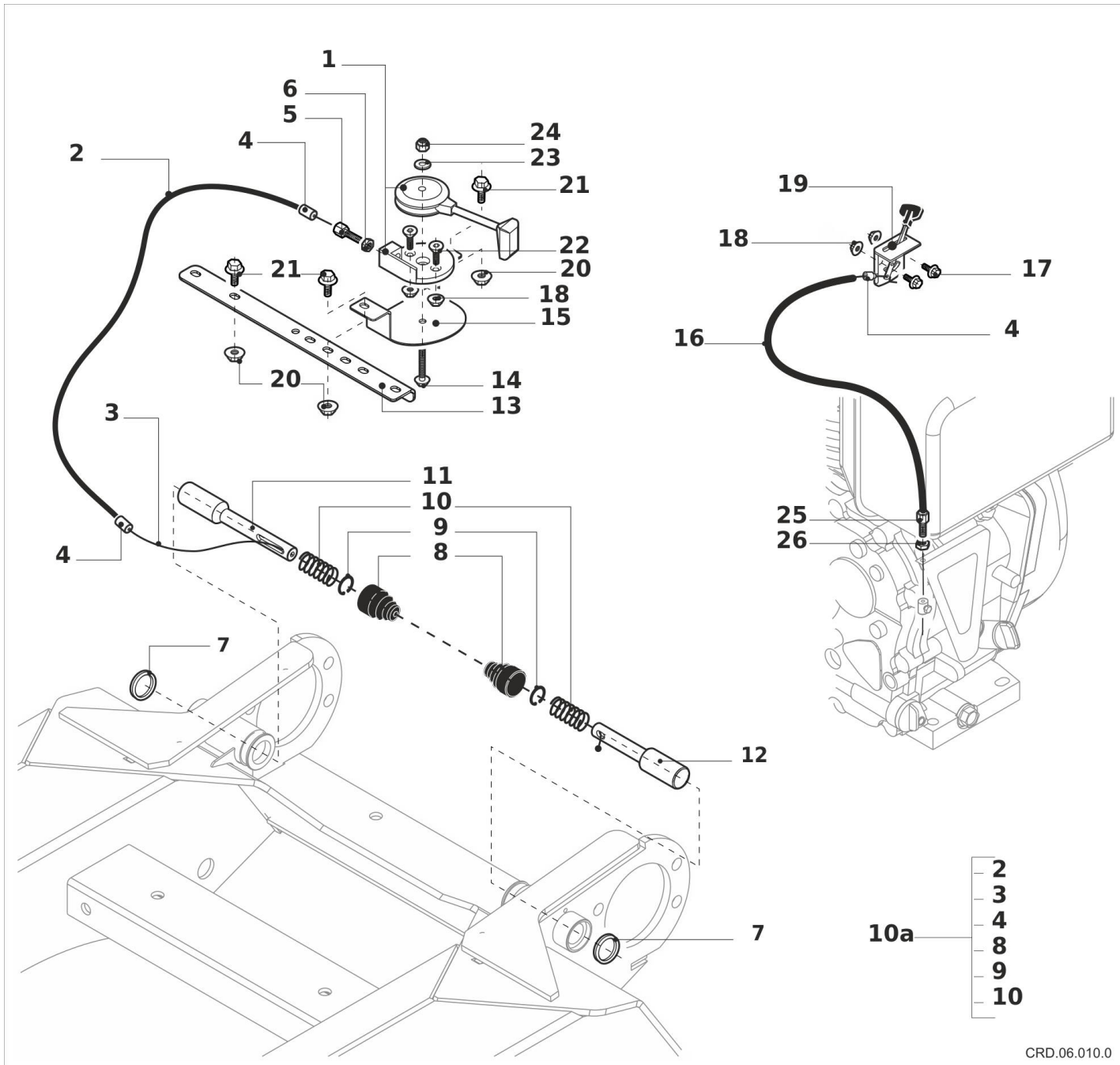
#	Code	Description	Specification	UM	Qty
1	C1036.01.00	WASHER		NR	4
2	C1068	BEARING BALLS	6304	NR	14
3	C1035.00.02	IDLER WHEEL		NR	2
4	C2026.00.02	M20 LOW NUT	M20	NR	2
5	C1304.01.10	TENSIONER		NR	2
6	C1304.01.02	SUPPORT		NR	2
7	C2027	ROLLER SCREW	M8x20	NR	4
8	C1135	AXIS	Ø20	NR	2
9	C2025	SELF-BLOCKING DICE	M20	NR	6
10	C2004	WASHER	M20 ZN	NR	18
11	C1036	ROLLER		NR	8
12	C1046	SPACER	21x27x90	NR	4
13	C2071.00.02	SCREW TCEI 20X180	M20x180	NR	10
14	C1047	GREASER	M6	NR	2
15	C3040.05.00	BALANCER		NR	2
16	C1036.04.01	SPACER	Ø30x129	NR	2
17	C1036.01.04	SPACER	Ø27x78	NR	4





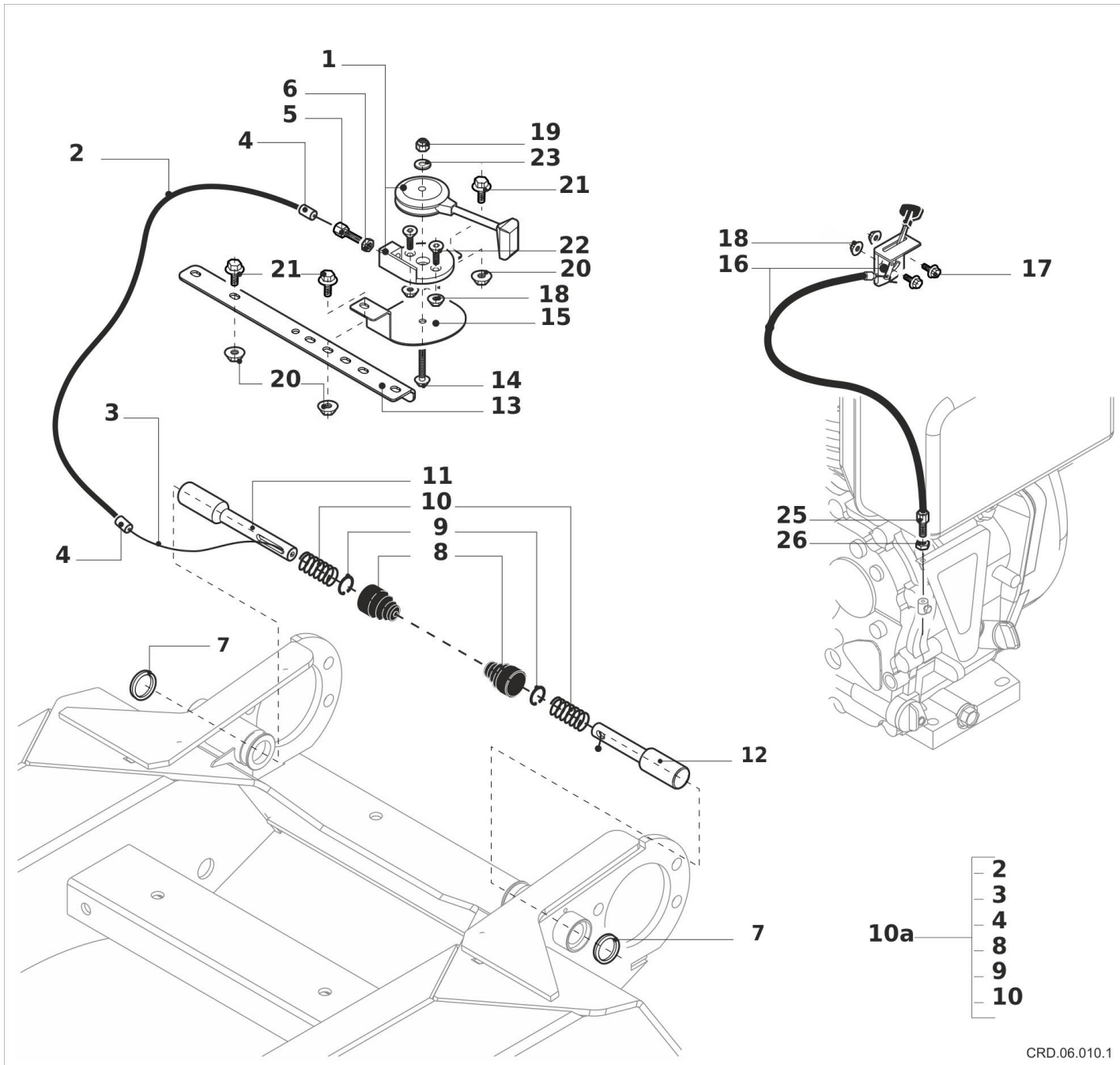
CRD.06.007.2

#	Code	Description	Specification	UM	Qty
1	C1036.01.00	WASHER		NR	16
1a	C1036.05.03	WASHER	Ø20xØ60	NR	4
2	C1068	BEARING BALLS	6304	NR	20
3	C1035.00.02	IDLER WHEEL		NR	2
4	C1304.01.12	NUT		NR	2
5	C1304.01.11	TENSIONER		NR	2
6	C1304.01.02	SUPPORT		NR	2
7	C2027	ROLLER SCREW	M8x20	NR	4
8	C1135	AXIS	Ø20	NR	2
9	C2025	SELF-BLOCKING DICE	M20	NR	10
10	C2004	WASHER	M20 ZN	NR	28
11	C1036	ROLLER		NR	8
12	C1046	SPACER	21x27x90	NR	8
13	C2071.00.02	SCREW TCEI 20X180	M20x180	NR	6
14	C1047	GREASER	M6	NR	10
15	C3040.05.00	BALANCER		NR	2
16	C1036.03.00	SPACER	21x30x146	NR	2
17	C1035.03.04	SPACER	h=8	NR	8
18	C2071.00.01	SCREW TCEI 20X160	M20x160	NR	4



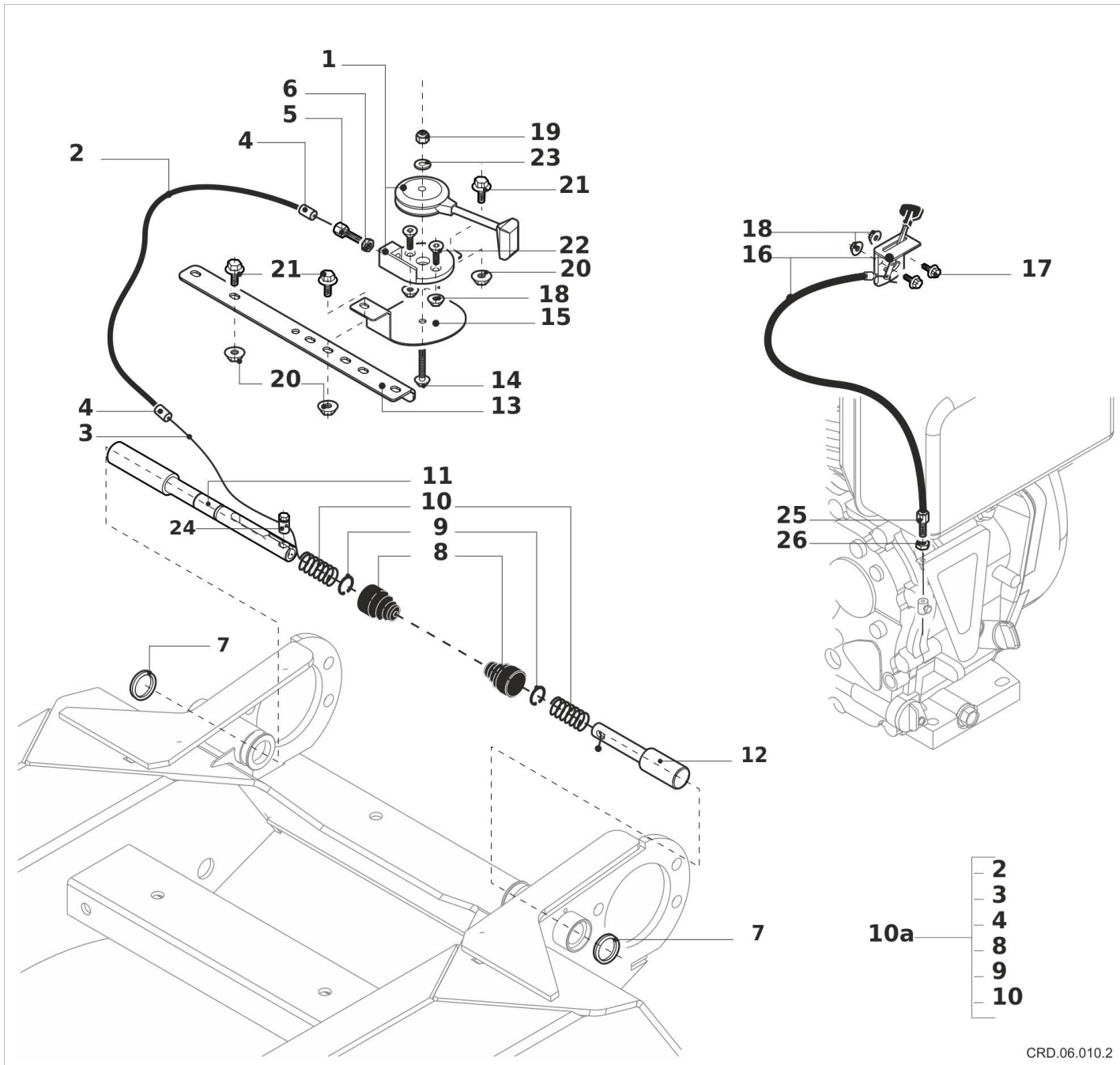
CRD.06.010.0

#	Code	Description	Specification	UM	Qty
1	C1259.01.00	COMMAND		NR	1
2	C3040.12.01	SHEATH		NR	1
3	C3040.12.02	CABLE WITH SHEATH		NR	1
4	C1198	SAFETY LOCK		NR	3
5	C1221	ADJUSTER	M8	NR	1
6	C0191.01.04	NUT M8	M8	NR	1
7	C3040.13.04	DUST COVER 20/28	GHK Ø20-28	NR	2
8	C3040.13.02	BELLOWS		NR	2
9	C3040.13.08	SEGER	Ø14x1 est DIN471...	NR	2
10	C3040.13.06	SPRING		NR	2
10a	C3040.12.00	BRAKE CONTROL		NR	1
11	C3040.07.01	BOLT		NR	1
12	C3040.07.00	BOLT		NR	1
13	C3060.04.00	DISTRIBUTOR CROSSBAR	S60	NR	1
14	C2041.01.00	LIVES	M6x40	NR	1
15	C3060.06.00	SUPPORT	S60	NR	1
16	C1016.01.00	CABLE		NR	1
17	C0190.32.03	LIVES	M6x20	NR	2
18	C2030.01.00	NUT	M6	NR	4
19	C1015.00.01	COMMAND		NR	1
20	C2092	NUT	M8	NR	3
21	C0190.33.02	FLANGED TE SCREW 8X20 ZN	M8x20	NR	3
22	C2015	LIVES	M6x25	NR	2
23	C0192.01.06	WASHER	M6	NR	1
24	C2020	NUT	M6	NR	1
25	C1221.00.01	ADJUSTER	M6	NR	1
26	C0191.01.03	NUT M6	M6	NR	1



CRD.06.010.1

#	Code	Description	Specification	UM	Qty
1	C1259.01.00	COMMAND		NR	1
2	C3040.12.01	SHEATH		NR	1
3	C3040.12.02	CABLE WITH SHEATH		NR	1
4	C1198	SAFETY LOCK		NR	3
5	C1221	ADJUSTER	M8	NR	1
6	C0191.01.04	NUT M8	M8	NR	1
7	C3040.13.04	DUST COVER 20/28	GHK Ø20-28	NR	2
8	C3040.13.02	BELLOWS		NR	2
9	C3040.13.08	SEGER	Ø14x1 est DIN471...	NR	2
10	C3040.13.06	SPRING		NR	2
10a	C3040.12.00	BRAKE CONTROL		NR	1
11	C3040.07.01	BOLT		NR	1
12	C3040.07.00	BOLT		NR	1
13	C3060.04.00	DISTRIBUTOR CROSSBAR	S60	NR	1
14	C2041.01.00	LIVES	M6x40	NR	1
15	C3060.06.00	SUPPORT	S60	NR	1
16	C3010.20.03	CPT ACCELERATOR CABLE	C60 Yanmar	NR	1
16	C3010.20.05	CPT ACCELERATOR CABLE	C60 Honda	NR	1
17	C0190.32.03	LIVES	M6x20	NR	2
18	C2030.01.00	NUT	M6	NR	4
19	C2020	NUT	M6	NR	1
20	C2092	NUT	M8	NR	3
21	C0190.33.02	FLANGED TE SCREW 8X20 ZN	M8x20	NR	3
22	C2015	LIVES	M6x25	NR	2
23	C0192.01.06	WASHER	M6	NR	1
25	C1221.00.01	ADJUSTER	M6	NR	1
26	C0191.01.03	NUT M6	M6	NR	1



CRD.06.010.2

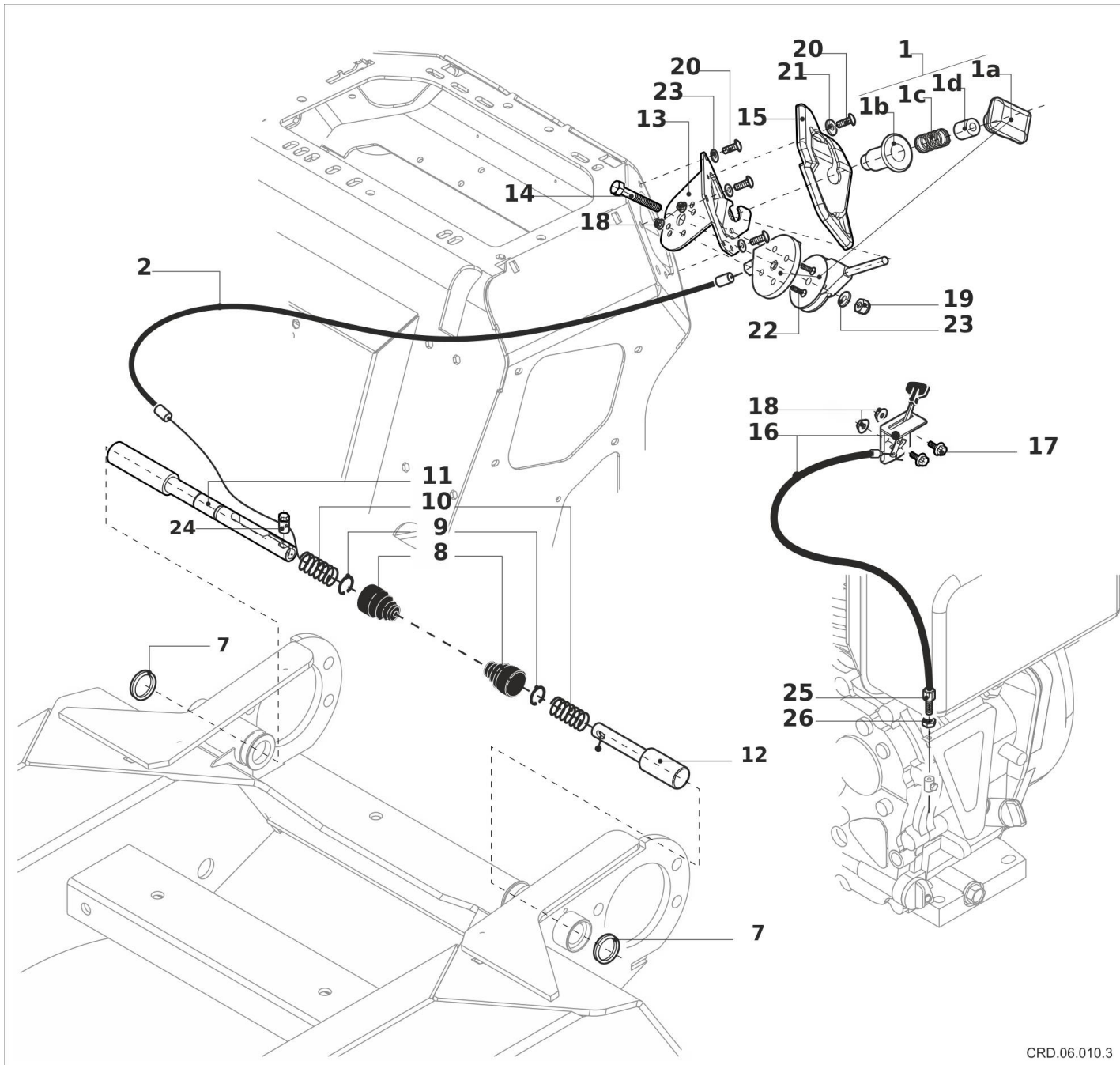


BRAKE AND ACCELERATOR CABLES (Valid since 09/13/2016 to S/N. CRMC60KHAVNOL05804)

CRD\_06\_910\_2  
47/76

#	Code	Description	Specification	UM	Qty
1	C1259.01.00	COMMAND		NR	1
2	C3040.12.01	SHEATH		NR	1
3	C3040.12.02	CABLE WITH SHEATH		NR	1
4	C1198	SAFETY LOCK		NR	3
5	C1221	ADJUSTER	M8	NR	1
6	C0191.01.04	NUT M8	M8	NR	1
7	C3040.13.04	DUST COVER 20/28	GHK Ø20-28	NR	2
8	C3040.13.02	BELLOWS		NR	2
9	C3040.13.08	SEGER	Ø14x1 est DIN471...	NR	2
10	C3040.13.06	SPRING		NR	2
10a	C3040.12.00	BRAKE CONTROL		NR	1
11	C3040.07.11	SHEATH SIDE BRAKE LOCK		NR	1
12	C3040.07.00	BOLT		NR	1
13	C3060.04.00	DISTRIBUTOR CROSSBAR	S60	NR	1
14	C2041.01.00	LIVES	M6x40	NR	1
15	C3060.06.00	SUPPORT	S60	NR	1
16	C3010.20.03	CPT ACCELERATOR CABLE	C60 Yanmar	NR	1
16	C3010.20.05	CPT ACCELERATOR CABLE	C60 Honda	NR	1
17	C0190.32.03	LIVES	M6x20	NR	2
18	C0191.01.13	M6 FLANGED NUT	M6	NR	4
19	C0191.01.23	NUT	M6	NR	1
20	C0191.01.14	M8 FLANGED NUT	M8	NR	3
21	C0190.33.02	FLANGED TE SCREW 8X20 ZN	M8x20	NR	3
22	C0190.12.04	SCREW T.S.E.I.	M6x25	NR	2
23	C0192.01.06	WASHER	M6	NR	1
24	C1207.02.01	HARDWARE		NR	1
25	C1221.00.01	ADJUSTER	M6	NR	1
26	C0191.01.03	NUT M6	M6	NR	1



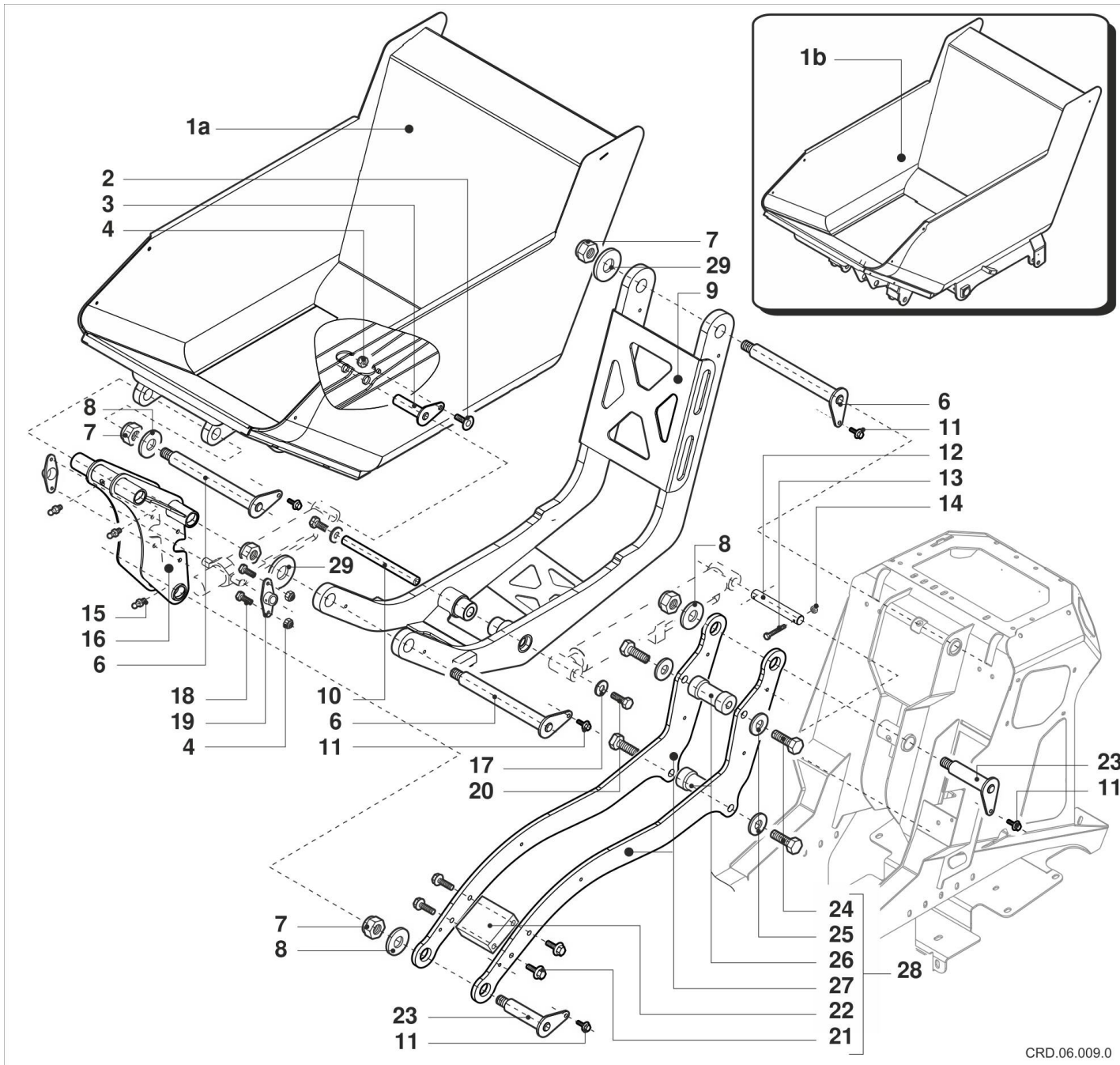


CRD.06.010.3

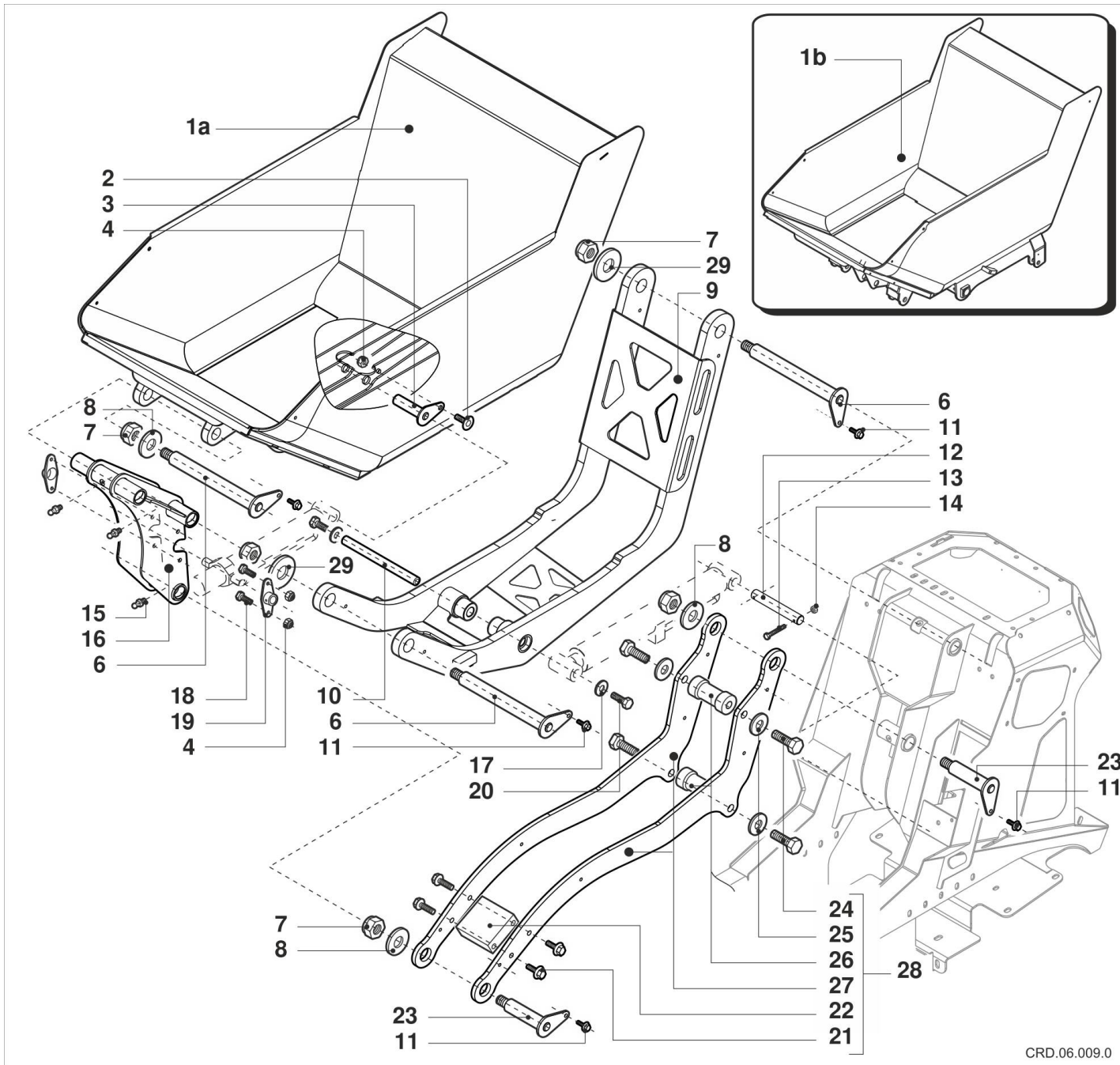


**BRAKE AND ACCELERATOR CABLES (Valid from S/N. CRMC60KHENOM06041)**

#	Code	Description	Specification	UM	Qty
1	C1259.02.00	BRAKE HANDLE		NR	1
1a	C1259.01.00	COMMAND		NR	1
1b	C1259.02.07	BRAKE SYRINGE		NR	1
1c	C3000.27.06	SPRING D.18X1.5		NR	1
1d	C1259.02.08	SPRING GUIDE FOR BRAKE		NR	1
2	C3040.12.02	CABLE WITH SHEATH		NR	1
7	C3040.13.04	DUST COVER 20/28	GHK Ø20-28	NR	2
8	C3040.13.02	BELLOWS		NR	2
9	C3040.13.08	SEGER	Ø14x1 est DIN471...	NR	2
10	C3040.13.06	SPRING		NR	2
11	C3040.07.11	SHEATH SIDE BRAKE LOCK		NR	1
12	C3040.07.00	BOLT		NR	1
13	C3060.06.10	BRAKE LEVER SUPPORT C60 VBR	VBR	NR	1
14	C0190.22.07	T.E. SCREW	M6x40	NR	1
15	C3060.06.20	BRAKE LEVER GUARD		NR	1
16	C3010.20.03	CPT ACCELERATOR CABLE	C60 Yanmar	NR	1
17	C0190.32.03	LIVES	M6x20	NR	2
18	C0191.01.13	M6 FLANGED NUT	M6	NR	4
19	C0191.01.23	NUT	M6	NR	1
20	C0190.52.04	LIVES	M6x20	NR	6
21	C0192.03.06	WASHER	M6	NR	3
22	C0190.12.04	SCREW T.S.E.I.	M6x25	NR	2
23	C0192.01.06	WASHER	M6	NR	4
24	C1207.02.01	HARDWARE		NR	1
25	C1221.00.01	ADJUSTER	M6	NR	1
26	C0191.01.03	NUT M6	M6	NR	1

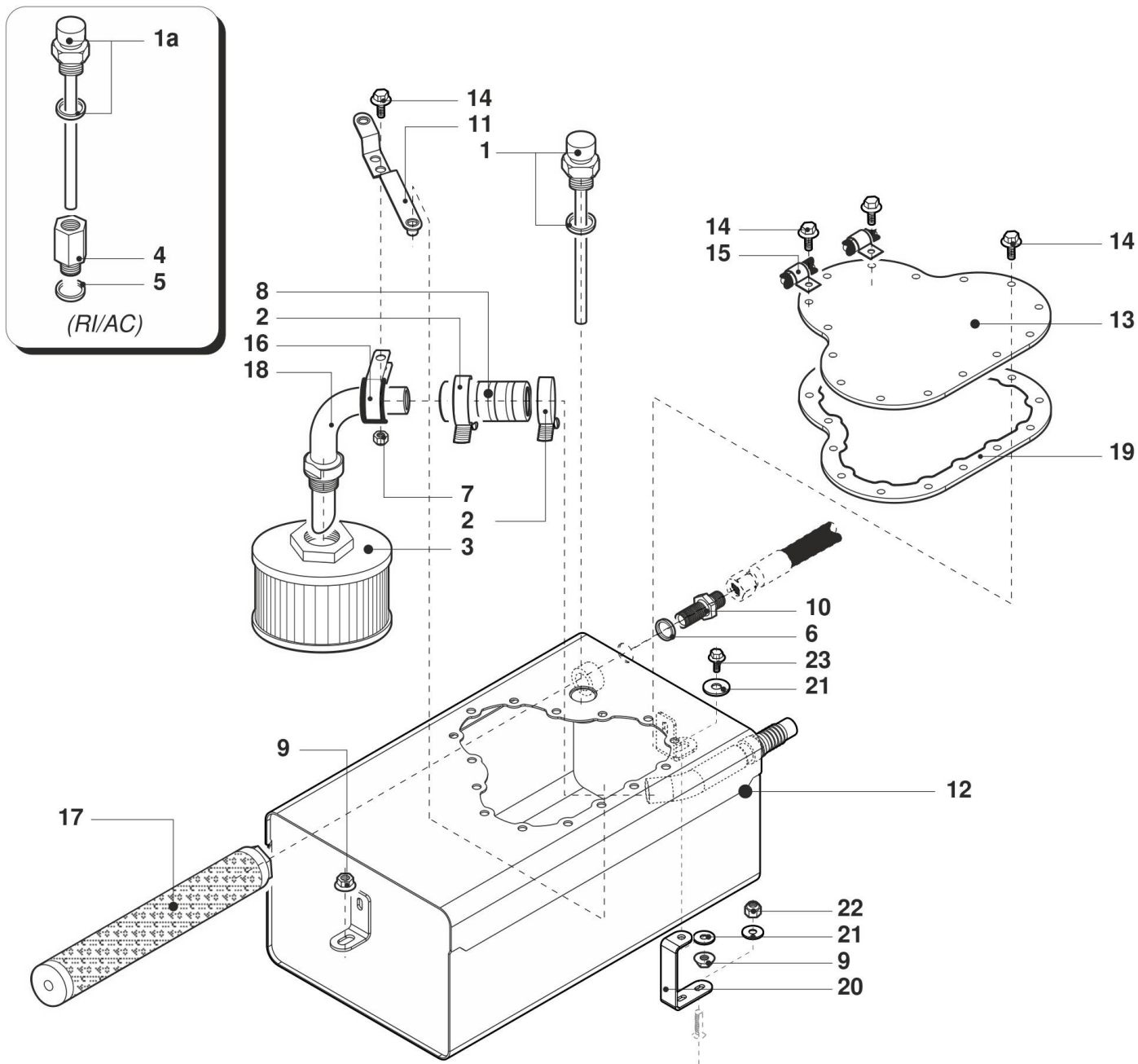


#	Code	Description	Specification	UM	Qty
1a	C3030.17.00	BOX	6.60 HI	NR	1
1b	C3030.17.03	C3030.17.03	6.60 HIAC	NR	1
2	C2040.01.00	SCREW T.S.E.I.	M8x15	NR	1
3	C3030.25.02	PIN		NR	1
4	C2085	NUT	M8	NR	7
6	C3030.04.05	PIN		NR	3
7	C2025.00.01	NUT	M20x1.5	NR	5
8	C2004	WASHER	M20 ZN	NR	3
9	C3030.03.07	ARM	S60	NR	1
10	C3030.07.04	PIN		NR	1
11	C0190.23.01	T.E. SCREW	M8x16	NR	5
12	C3030.27.04	PIN		NR	1
13	C2041	LIVES	M6x40	NR	2
14	C0191.01.23	NUT	M6	NR	2
15	C0094.01.01	GREASER	M6	NR	3
16	C3030.05.05	BIELLA	S60	NR	1
17	C0192.01.12	WASHER	M12	NR	2
18	C2049	T.E. SCREW 8X20	M8x20	NR	4
19	C3030.28.00	BUSHING		NR	2
20	C2073.01.00	T.E. SCREW	M12x25	NR	2
21	C2050.01.00	T.E. SCREW	M10x25	NR	4
22	C3030.21.00	SUPPORT		NR	1
23	C3030.02.04	PIN		NR	2
24	C0190.26.00	T.E. SCREW	M16x35	NR	4
25	C0192.01.16	WASHER	M16	NR	4
26	C3030.22.01	FITTING		NR	2
27	C3030.20.03	BIELLA		NR	2
28	C3030.06.07	CONNECTING ROD SET	C6.60	NR	1
29	C2004.00.01	M20 THICKENED WASHER		NR	2



CRD.06.009.0

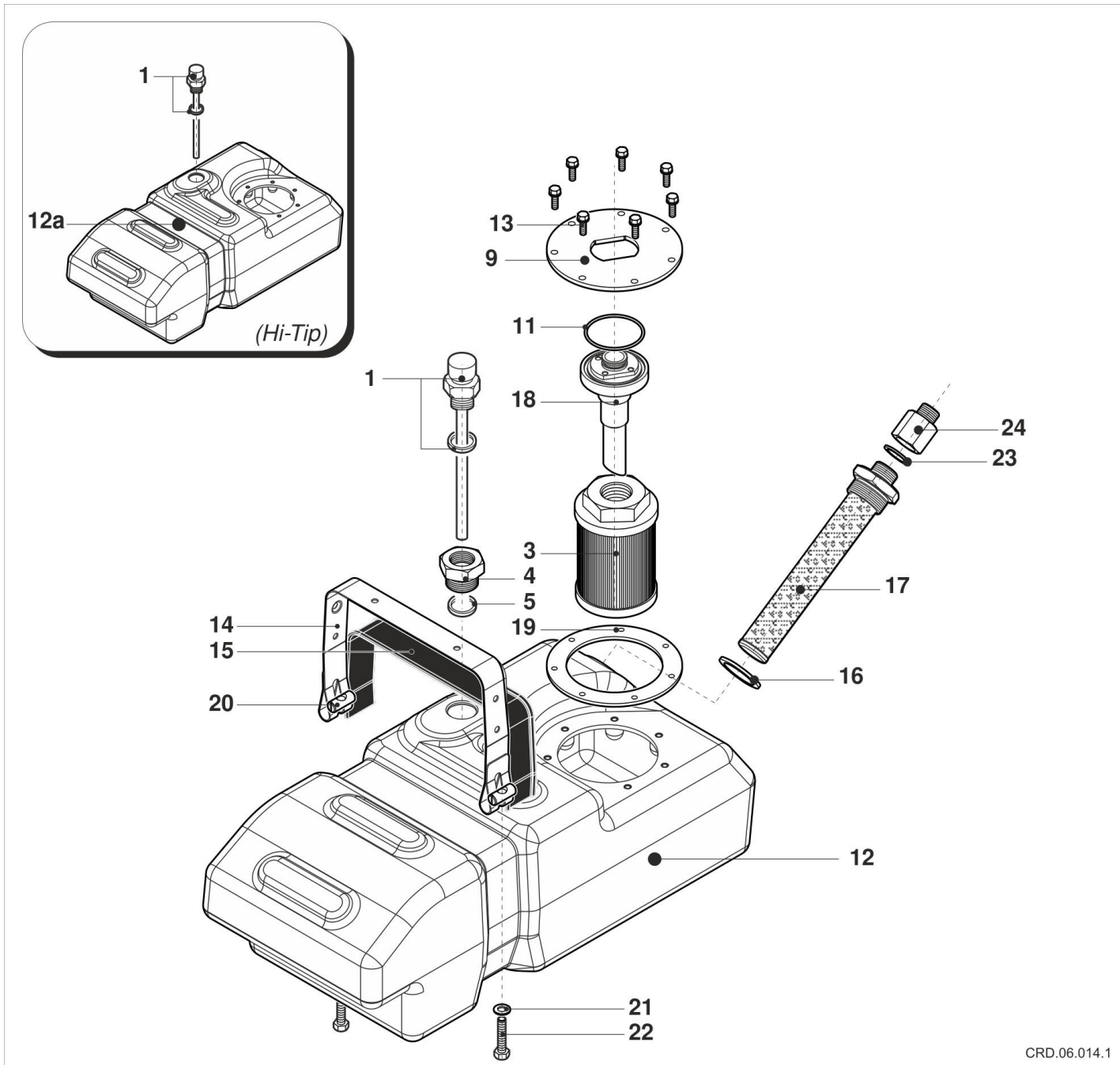
#	Code	Description	Specification	UM	Qty
1a	C3030.17.00	BOX	6.60 HI	NR	1
1b	C3030.17.03	C3030.17.03	6.60 HIAC	NR	1
2	C2040.01.00	SCREW T.S.E.I.	M8x15	NR	1
3	C0502.20.07	PIN	Ø20x75	NR	1
4	C0191.01.24	SELF-LOCKING NUT M8	M8	NR	7
6	C0509.30.25	PIN	Ø30x250-M20x1,5	NR	3
7	C2025.00.01	NUT	M20x1.5	NR	5
8	C2004	WASHER	M20 ZN	NR	3
9	C3030.03.07	ARM	S60	NR	1
10	C3030.07.04	PIN		NR	1
11	C0190.23.01	T.E. SCREW	M8x16	NR	5
12	C3030.27.04	PIN		NR	1
13	C2041	LIVES	M6x40	NR	2
14	C0191.01.23	NUT	M6	NR	2
15	C0094.01.01	GREASER	M6	NR	3
16	C3030.05.05	BIELLA	S60	NR	1
17	C0192.01.12	WASHER	M12	NR	2
18	C2049	T.E. SCREW 8X20	M8x20	NR	4
19	C3030.28.00	BUSHING		NR	2
20	C2073.01.00	T.E. SCREW	M12x25	NR	2
21	C2050.01.00	T.E. SCREW	M10x25	NR	4
22	C3030.21.00	SUPPORT		NR	1
23	C3030.02.04	PIN		NR	2
24	C0190.26.00	T.E. SCREW	M16x35	NR	4
25	C0192.01.16	WASHER	M16	NR	4
26	C3030.22.01	FITTING		NR	2
27	C3030.20.03	BIELLA		NR	2
28	C3030.06.07	CONNECTING ROD SET	C6.60	NR	1
29	C2004.00.01	M20 THICKENED WASHER		NR	2



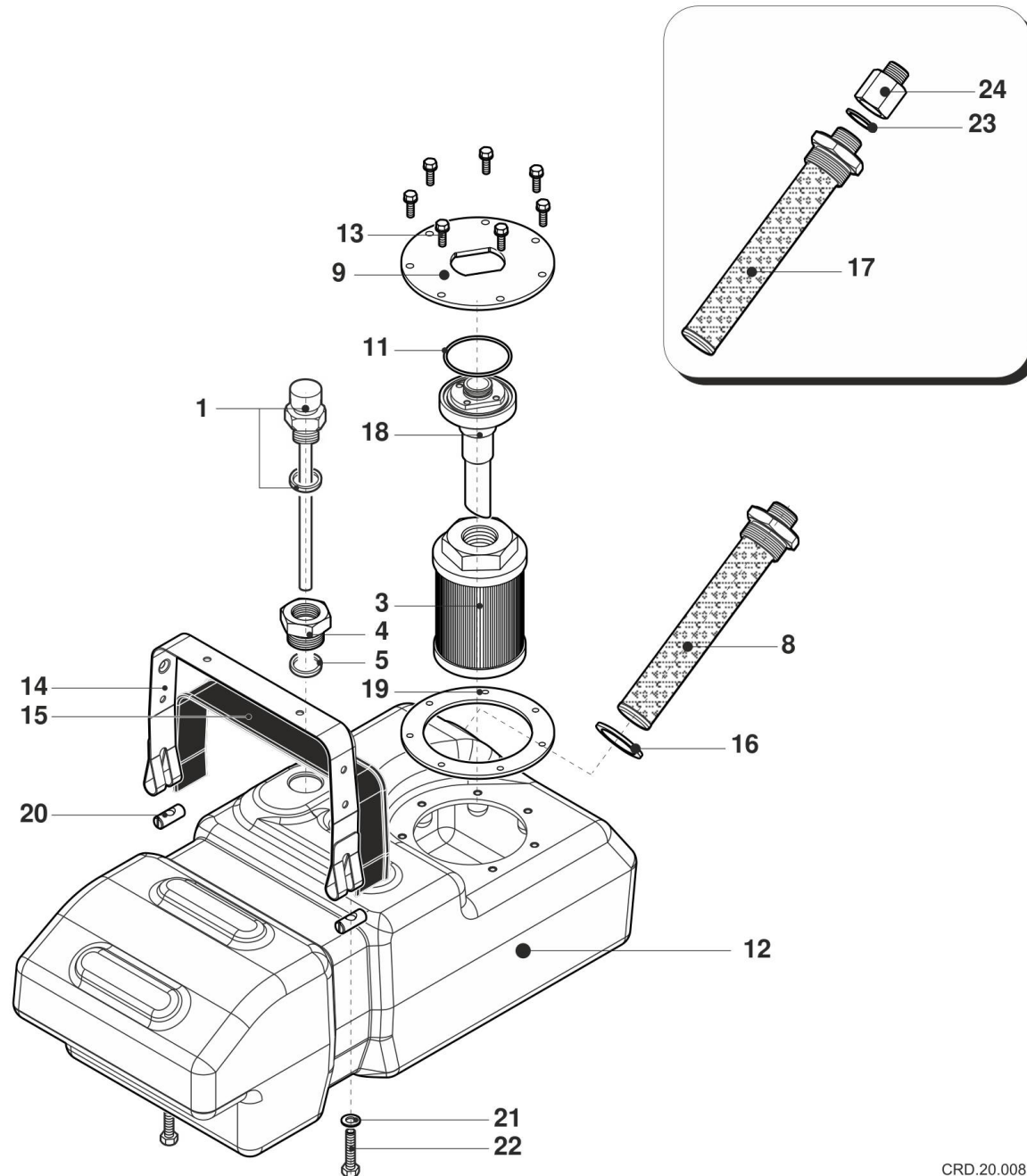
CRD.06.014.0

#	Code	Description	Specification	UM	Qty
1	C1097.00.03	DIPISTICK	L=120	NR	1
1a	C1097.00.04	AUCTION	L=160	NR	1
2	C1127.39.04	CABLE TIE	Ø20-32	NR	2
3	C1650.01.07	HYD OIL FILTER	Ø132 -1.1/4"...	NR	1
4	C0020.16.03	FITTING	3/4" L=50	NR	1
5	C0020.06.06	BOND WASHER 3/4	3/4"	NR	1
6	C1155	GASKET	1/2"	NR	1
7	C2020	NUT	M6	NR	1
8	C1130.11.00	SLEEVE	Ø25-35	NR	1
9	C2092	NUT	M8	NR	2
10	C0020.15.04	BULKHEAD NIPLES 1/2	1/2"	NR	1
11	C0008.00.13	SUPPORT		NR	1
12	C0008.00.14	RESERVOIR		NR	1
13	C0008.00.12	COVER		NR	1
14	C0190.32.03	LIVES	M6x20	NR	18
15	C1400.01.00	HOSE CLIP		NR	2
16	C1127.31.03	RUBBER CLAMP		NR	1
17	C1650.01.06	HYD OIL FILTER	Ø52 -1/2"	NR	1
18	C1650.01.17	FITTING		NR	1
19	C3050.02.00	GASKET		NR	1
20	C3050.07.00	TANK PLATE		NR	1
21	C2007	FLAT WASHER 6X24 ZN	M8x24	NR	3
22	C2021	NUT	M8	NR	1
23	C0190.33.01	LIVES	M8x16	NR	1





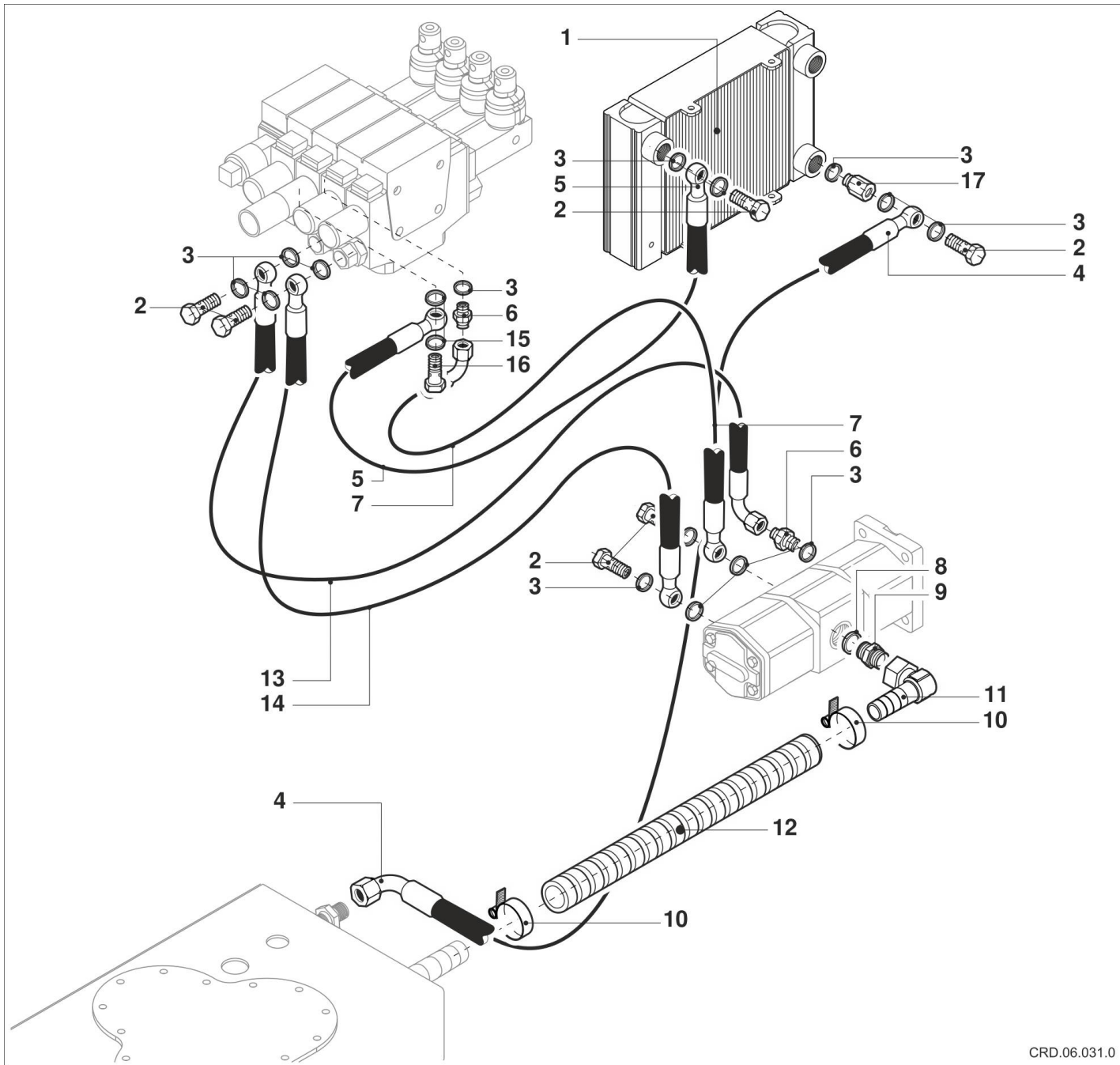
#	Code	Description	Specification	UM	Qty
1	C1097.00.04	AUCTION	L=160	NR	1
3	C3050.04.11	HYD OIL FILTER	1"	NR	1
4	C0020.11.11	REDUCTION CAP M-F 1-3/4	3/4" - 1"	NR	1
5	C0020.06.07	BOND WASHER 1"	1"	NR	1
9	C3150.01.97	OR-RING C3150.06.09; RONDELLA BOND 11/4		NR	1
11	C0091.03.03	O-RING 56.82X2.62	OR2-140	NR	1
12	C3150.01.10	RESERVOIR		NR	1
12a	C3150.01.15	RESERVOIR		NR	1
13	C0190.32.03	LIVES	M6x20	NR	7
14	C3150.01.11	CABLE TIE		NR	1
15	C3150.01.12	GASKET		NR	1
16	C0020.06.09	WASHER	1-1/4"	NR	1
17	C1650.01.15.A	HYDRAULIC STRAINER	1 1/4"- 3/4"	NR	1
18	C3150.01.95	TANK SUCTION HOSE		NR	1
19	C3150.01.09	FILTER GASKET		NR	1
20	C0191.04.16	NUT	M8x30	NR	2
21	C0192.01.08	WASHER	M8	NR	2
22	C0190.23.06	T.E. SCREW M8X40	M8x40	NR	2
23	C0020.06.06	BOND WASHER 3/4	3/4"	NR	1
24	C0020.16.71	REDUCTION M1/2X F3/4	M1/2" - F3/4"...	NR	1



CRD.20.008.0

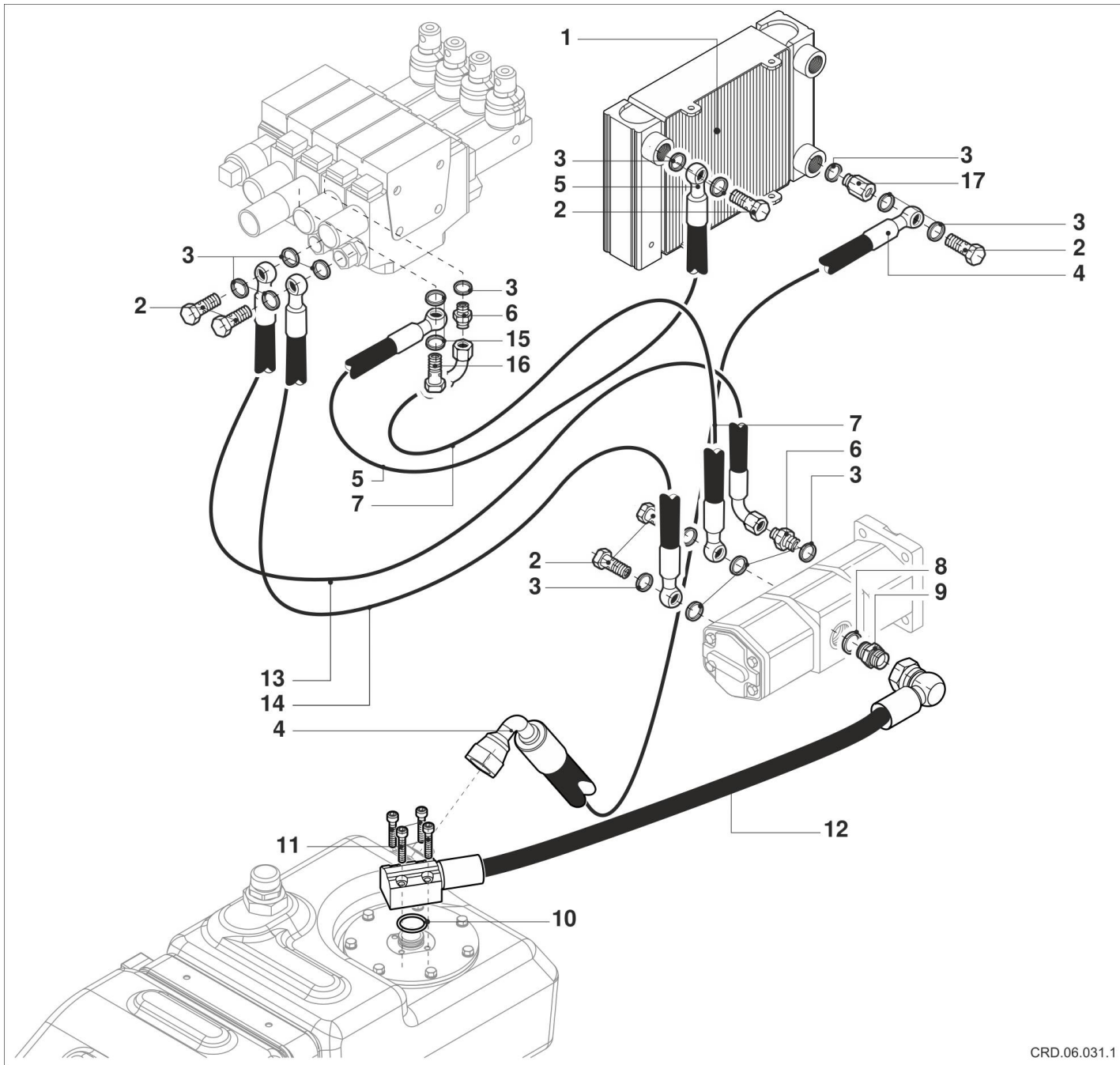
HYDRAULIC SYSTEM (TANK) (Valid from S/N CRM0D60KVK0S58201)

#	Code	Description	Specification	UM	Qty
1	C1097.00.04	AUCTION	L=160	NR	1
3	C3050.04.11	HYD OIL FILTER	1"	NR	1
4	C0020.11.11	REDUCTION CAP M-F 1-3/4	3/4" - 1"	NR	1
5	C0020.06.07	BOND WASHER 1"	1"	NR	1
8	C1650.01.15	<del>BCPDL C0020.06.09</del> ; RONDELLA BOND 11/4	1 1/4" - 1/2"	NR	1
9	C3150.01.97	FLANGE C55 C60		NR	1
11	C0091.03.03	O-RING 56.82X2.62	OR2-140	NR	1
12	C3150.01.10	RESERVOIR		NR	1
13	C0190.32.03	LIVES	M6x20	NR	7
14	C3150.01.11	CABLE TIE		NR	1
15	C3150.01.12	GASKET		NR	1
16	C0020.06.09	WASHER	1-1/4"	NR	1
17	C1650.01.15.A	HYDRAULIC STRAINER	1 1/4" - 3/4"	NR	1
18	C3150.01.95	TANK SUCTION HOSE		NR	1
19	C3150.01.09	FILTER GASKET		NR	1
20	C0191.04.16	NUT	M8x30	NR	2
21	C0192.01.08	WASHER	M8	NR	2
22	C0190.23.06	T.E. SCREW M8X40	M8x40	NR	2
23	C0020.06.06	BOND WASHER 3/4	3/4"	NR	1
24	C0020.16.71	REDUCTION M1/2X F3/4	M1/2" - F3/4"...	NR	1



CRD.06.031.0

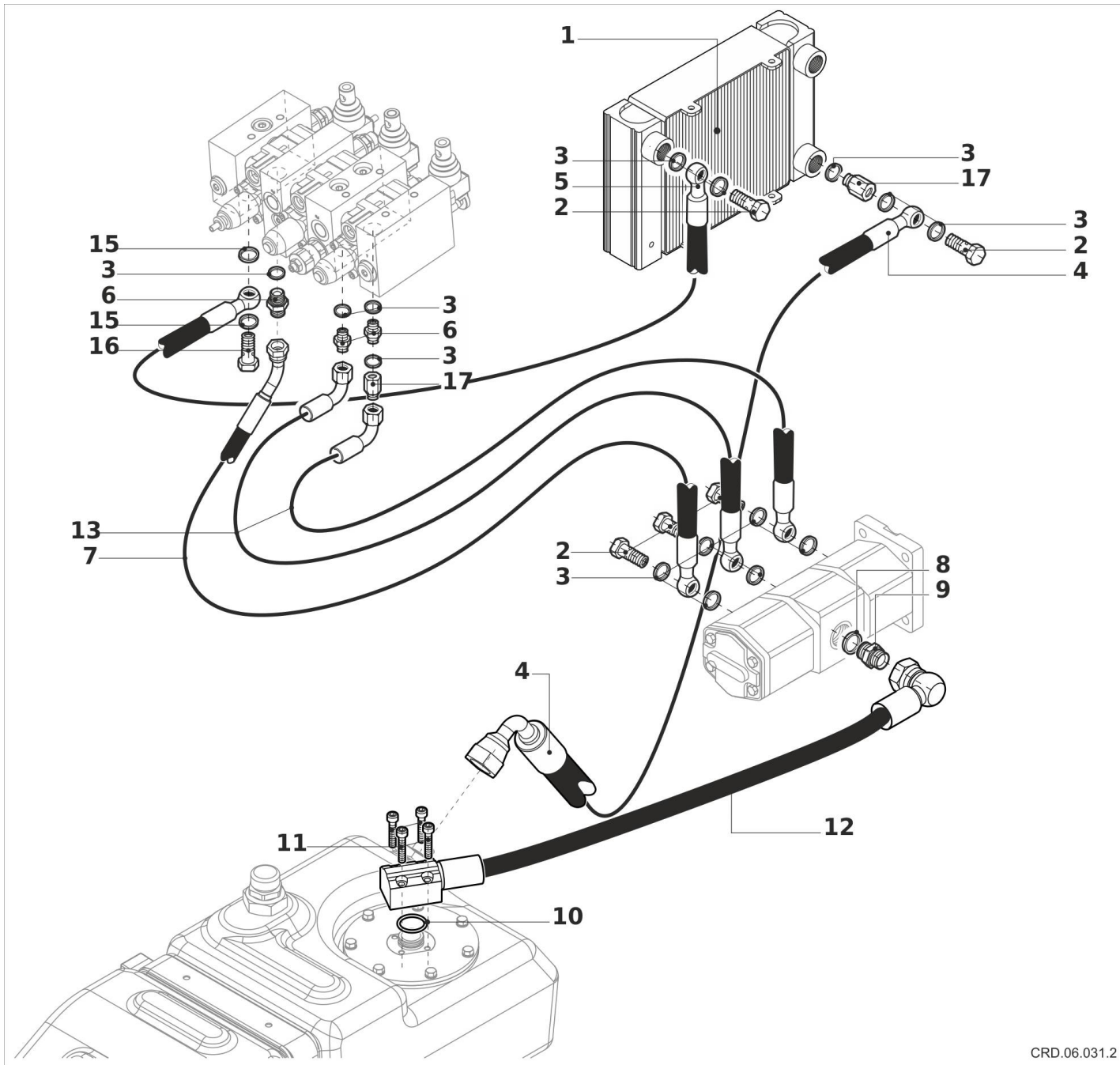
#	Code	Description	Specification	UM	Qty
1	C3020.13.04	OIL COOLER		NR	1
2	C0020.07.03	DRILLED BOLT	3/8"	NR	6
3	C0020.06.03	BOND WASHER 3/8	3/8"	NR	15
4	C3020.06.01	HYDRAULIC HOSE	Occhio 3/8" - FD1/2"...	NR	1
5	C3020.10.01	HYDRAULIC HOSE	Occhio 1/2 - Occhio3/8	NR	1
6	C0020.01.03	NIPPLES 3/8 GAS	3/8" MM	NR	2
7	C3020.10.02	HYDRAULIC HOSE	F45° 3/8" - Occhio 3/8...	NR	1
8	C0020.06.06	BOND WASHER 3/4	3/4"	NR	1
9	C0020.01.06	NIPLES	3/4" MM	NR	1
10	C1127.39.04	CABLE TIE	Ø20-32	NR	2
11	C1126.10.00	FITTING		NR	1
12	C1130.09.00	SLEEVE		NR	1
13	C3020.07.01	HYDRAULIC HOSE	F90°3/8" - Occhio3/8"...	NR	1
14	C3020.10.03	HYDRAULIC HOSE	Occhio 3/8" - Occhio 3...	NR	1
15	C0020.06.04	BOND WASHER 1/2	1/2"	NR	2
16	C0020.07.04	DRILLED BOLT	1/2"	NR	1
17	C0020.01.03	NIPPLES 3/8 GAS	3/8" MM	NR	1
17	C0020.16.13	FITTING	3/8"	NR	1



CRD.06.031.1

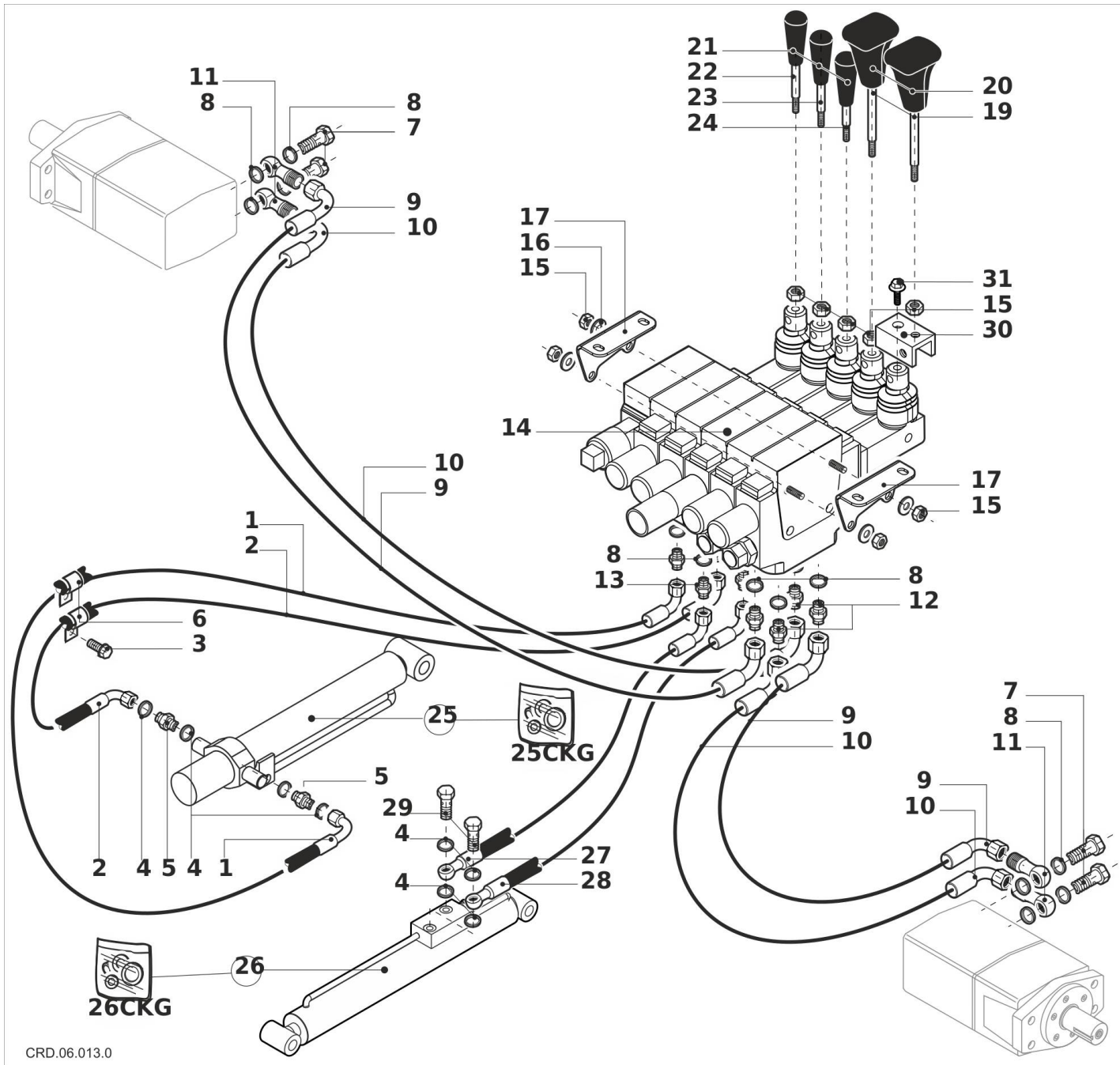
#	Code	Description	Specification	UM	Qty
1	C3020.13.04	OIL COOLER		NR	1
2	C0020.07.03	DRILLED BOLT	3/8"	NR	3
3	C0020.06.03	BOND WASHER 3/8	3/8"	NR	12
4	C3020.06.01	HYDRAULIC HOSE	Occhio 3/8" - FD1/2"...	NR	1
5	C3020.10.01	HYDRAULIC HOSE	Occhio 1/2 - Occhio3/8	NR	1
6	C0020.01.03	NIPPLES 3/8 GAS	3/8" MM	NR	4
7	C3020.05.01	HYDRAULIC HOSE	F90°3/8" - F45°3/8"...	NR	1
8	C0020.06.06	BOND WASHER 3/4	3/4"	NR	1
9	C0020.01.06	NIPLES	3/4" MM	NR	1
10	C0091.03.02	O-RING 22.22X2.62	OR130	NR	1
11	C0190.02.06	SCREW T.C.E.I.	M6x35	NR	4
12	C3150.01.90	FILTER SUCTION HOSE C55 C6		NR	1
13	C3020.07.01	HYDRAULIC HOSE	F90°3/8" - Occhio3/8"...	NR	1
14	C3020.07.03	HYDRAULIC HOSE	F90°3/8" - Occhio3/8"...	NR	1
15	C0020.06.04	BOND WASHER 1/2	1/2"	NR	2
16	C0020.07.04	DRILLED BOLT	1/2"	NR	1
17	C0020.16.53	EXTENSION 3/8 L35	3/8"	NR	1





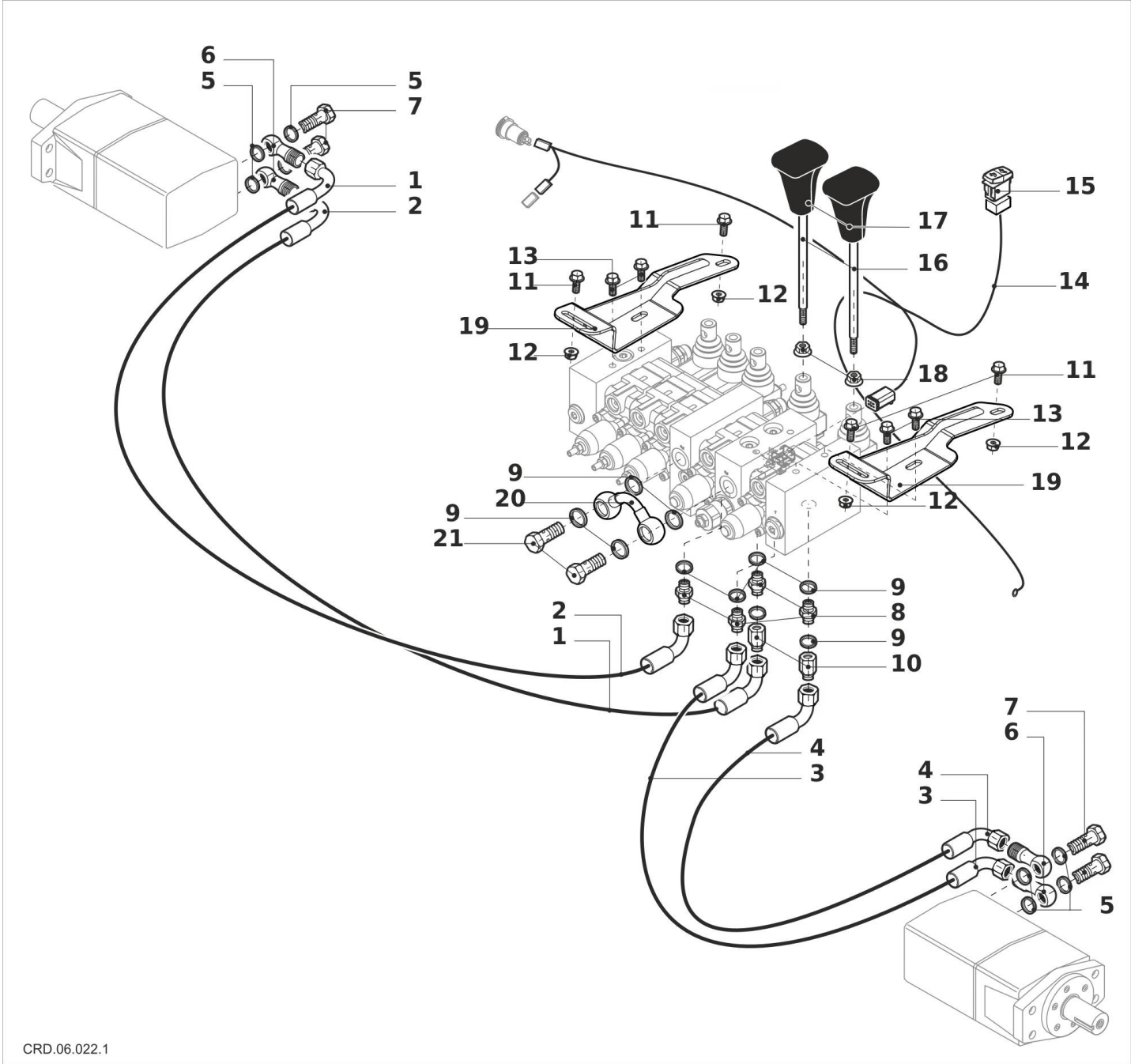
CRD.06.031.2

#	Code	Description	Specification	UM	Qty
1	C3020.13.04	OIL COOLER		NR	1
2	C0020.07.03	DRILLED BOLT	3/8"	NR	5
3	C0020.06.03	BOND WASHER 3/8	3/8"	NR	15
4	C3020.06.01	HYDRAULIC HOSE	Occhio 3/8" - FD1/2"...	NR	1
5	C3020.10.01	HYDRAULIC HOSE	Occhio 1/2 - Occhio3/8	NR	1
6	C0020.01.03	NIPPLES 3/8 GAS	3/8" MM	NR	3
7	C3020.05.07	HYDRAULIC HOSE		NR	1
8	C0020.06.06	BOND WASHER 3/4	3/4"	NR	1
9	C0020.01.06	NIPLES	3/4" MM	NR	1
10	C0091.03.02	O-RING 22.22X2.62	OR130	NR	1
11	C0190.02.06	SCREW T.C.E.I.	M6x35	NR	4
12	C3150.01.90	FILTER SUCTION HOSE C55 C6		NR	1
13	C3020.05.04	HYDRAULIC HOSE		NR	2
15	C0020.06.04	BOND WASHER 1/2	1/2"	NR	2
16	C0020.07.04	DRILLED BOLT	1/2"	NR	1
17	C0020.16.53	EXTENSION 3/8 L35	3/8"	NR	2



CRD.06.013.0

#	Code	Description	Specification	UM	Qty
1	C1468.01.04	HYDRAULIC HOSE	F90° 1/8" - 1/4"...	NR	1
2	C1468.01.03	HYDRAULIC HOSE	F90° 1/8" - 1/4"...	NR	1
3	C0190.23.01	T.E. SCREW	M8x16	NR	8
4	C0020.06.02	BOND WASHER 1/4	1/4"	NR	8
5	C0020.01.02	NIPPLES 1/4 GAS	1/4" MM	NR	2
6	C1400.01.00	HOSE CLIP		NR	8
7	C0020.07.03	DRILLED BOLT	3/8"	NR	4
8	C1155.00.04	GASKET	3/8"	NR	16
9	C1468.01.09	HYDRAULIC HOSE	F90° 3/8" - 3/8"...	NR	1
10	C1468.01.07	HYDRAULIC HOSE	F90° 3/8" - 3/8"...	NR	1
11	C0020.49.04	FITTING		NR	4
12	C0020.01.03	NIPPLES 3/8 GAS	3/8" MM	NR	4
13	C1232	FITTING	3/8" - 1/8"	NR	4
14	C3220.02.00	C55-C60 5L DISPENSER	Hi-Tip	NR	1
15	C2031	NUT	M8	NR	9
16	C2001	WASHER	M8	NR	4
17	C3060.04.01	S60 DISTRIBUTOR SUPPORT		NR	2
19	C1189.06.07	LEVER	170 mm Ø10	NR	2
20	C1053.10.02	KNOB	Ø10	NR	2
21	C1053	KNOB		NR	3
22	C1189.06.06	LEVER	160 mm Ø10	NR	1
23	C1189.06.04	LEVER	140 mm Ø10	NR	1
24	C1189.06.02	LEVER	120 mm Ø10	NR	1
25	C3020.02.03	JACK	HI HI	NR	1
25CKG	C3020.02.03.KG	SEAL KIT		NR	1
26	C3020.01.05	JACK		NR	1
26CKG	C3020.01.05.KG	SEAL KIT		NR	1
27	C1460.01.01	HYDRAULIC HOSE		NR	1
28	C1460.02.01	HYDRAULIC HOSE		NR	1
29	C1193	FITTING	1/4"	NR	2
30	C3020.43.00	SPACER		NR	1
31	C2091.01.00	LIVES	M8x16	NR	1

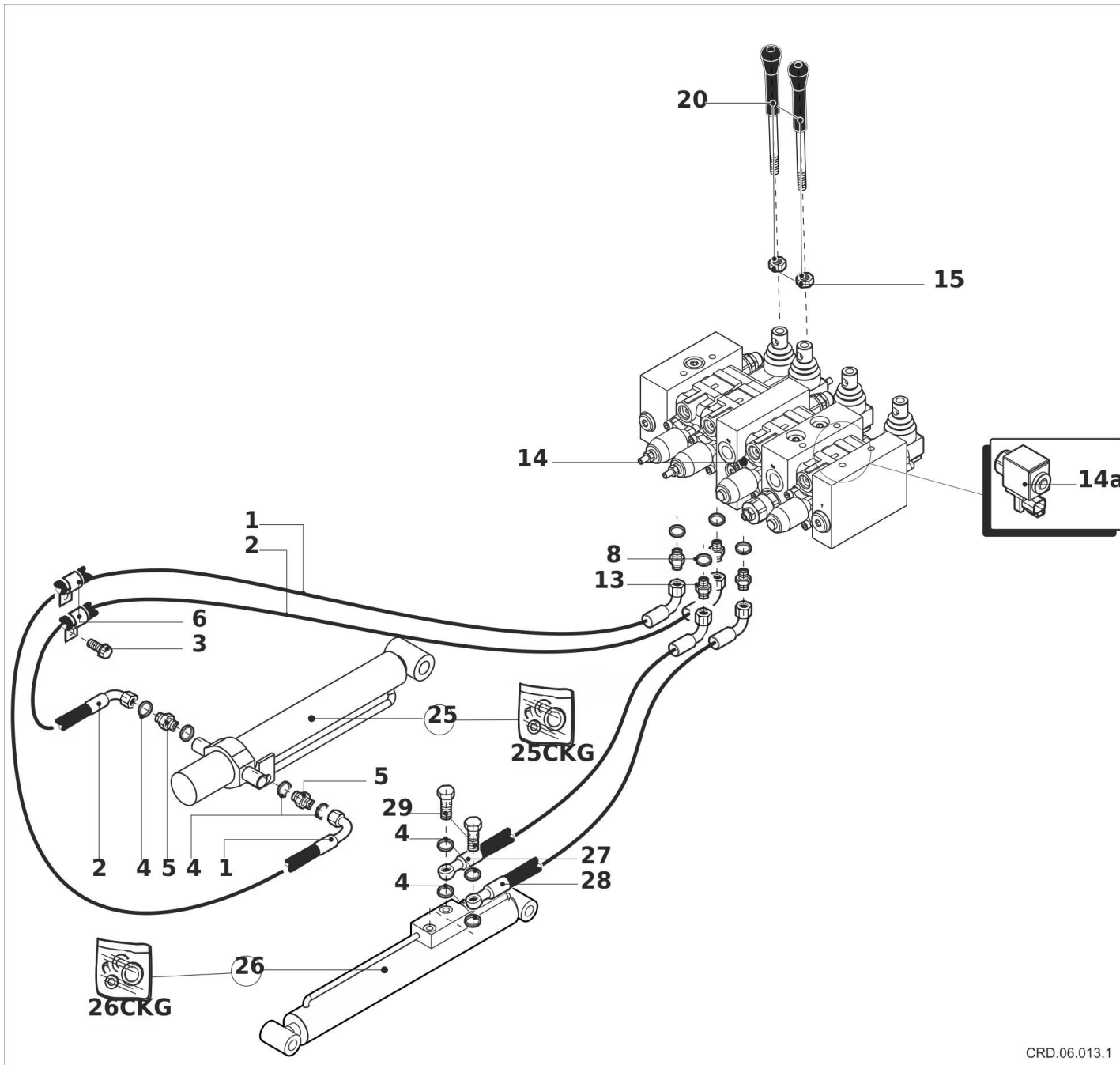


CRD.06.022.1



HYDRAULIC SYSTEM (TRACTION) (Valid from S/N CRMC60KHENOM06041)

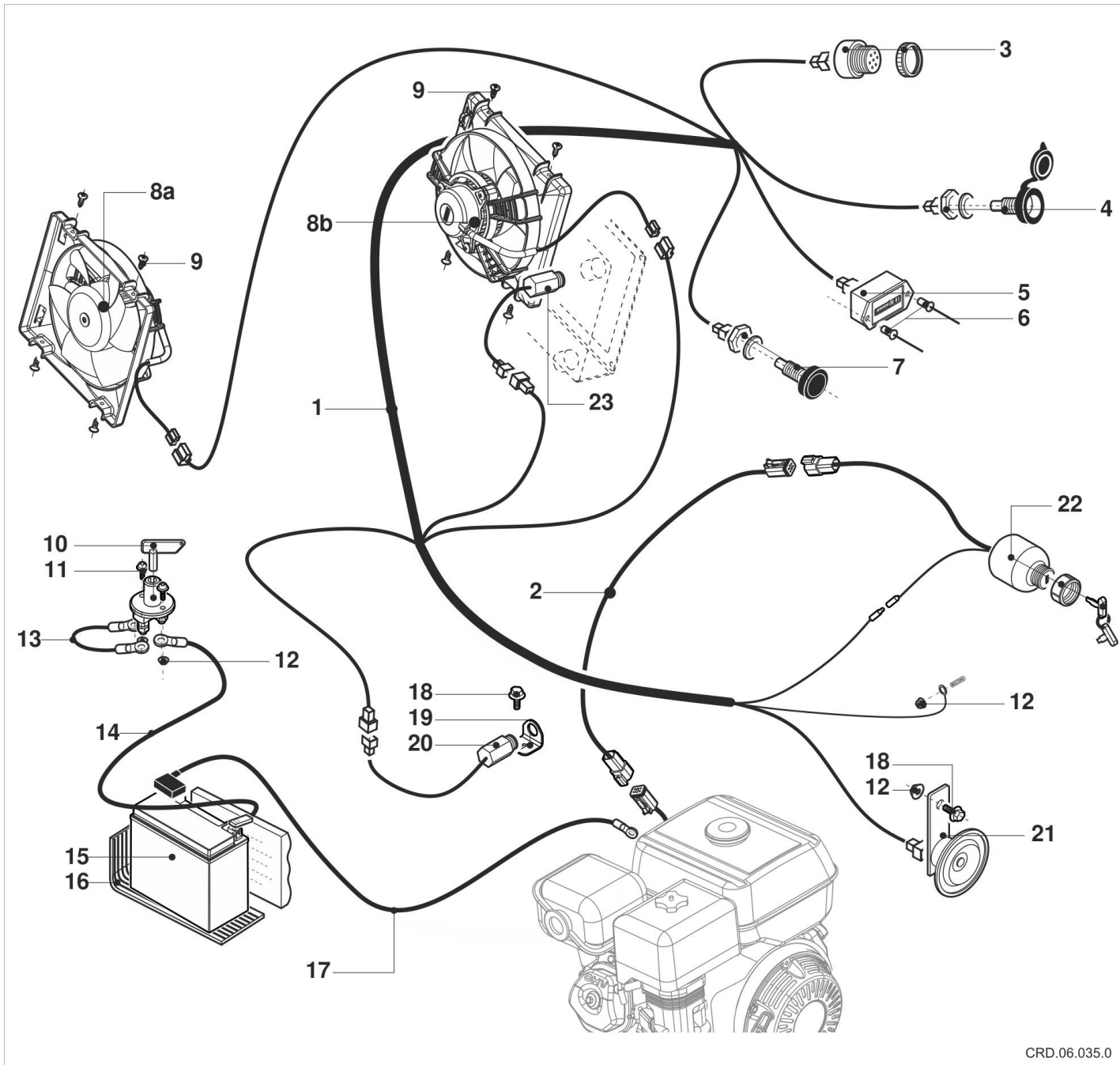
#	Code	Description	Specification	UM	Qty
1	C1468.01.09	HYDRAULIC HOSE	F90° 3/8" - 3/8"...	NR	1
2	C1468.01.07	HYDRAULIC HOSE	F90° 3/8" - 3/8"...	NR	1
3	C1468.01.10	HYDRAULIC HOSE	F90° 3/8" - F90° 3/8"...	NR	1
4	C1468.01.08	HYDRAULIC HOSE	F90° 3/8" - F90° 3/8"...	NR	1
5	C0020.06.04	BOND WASHER 1/2	1/2"	NR	8
6	C0020.38.43	BANJO FITTING 1/2" THREADED 3/8"		NR	4
7	C0020.07.04	DRILLED BOLT	1/2"	NR	4
8	C0020.01.03	NIPPLES 3/8 GAS	3/8" MM	NR	4
9	C0020.06.03	BOND WASHER 3/8	3/8"	NR	8
10	C0020.16.53	EXTENSION 3/8 L35	3/8"	NR	2
11	C0190.33.02	FLANGED TE SCREW 8X20 ZN	M8x20	NR	4
12	C0191.01.14	M8 FLANGED NUT	M8	NR	4
13	C0190.33.01	LIVES	M8x16	NR	4
14	C3070.16.22	INTERFACE FOR C60 VBR	VBR 10	NR	1
15	C1125.21.01	CONNECTOR		NR	1
16	C1021.00.02	LEVER	10	NR	2
17	C1053.10.02	KNOB	Ø10 10	NR	2
18	C0191.01.15	M10 FLANGED NUT	M10	NR	2
19	C3060.04.11	BRACKET FOR DISTRIBUTOR C55-C6		NR	2
20	C3220.02.19	BY PASS CONNECTION DISTRIB. VBR		NR	1
21	C0020.07.03	DRILLED BOLT	3/8"	NR	1



CRD.06.013.1

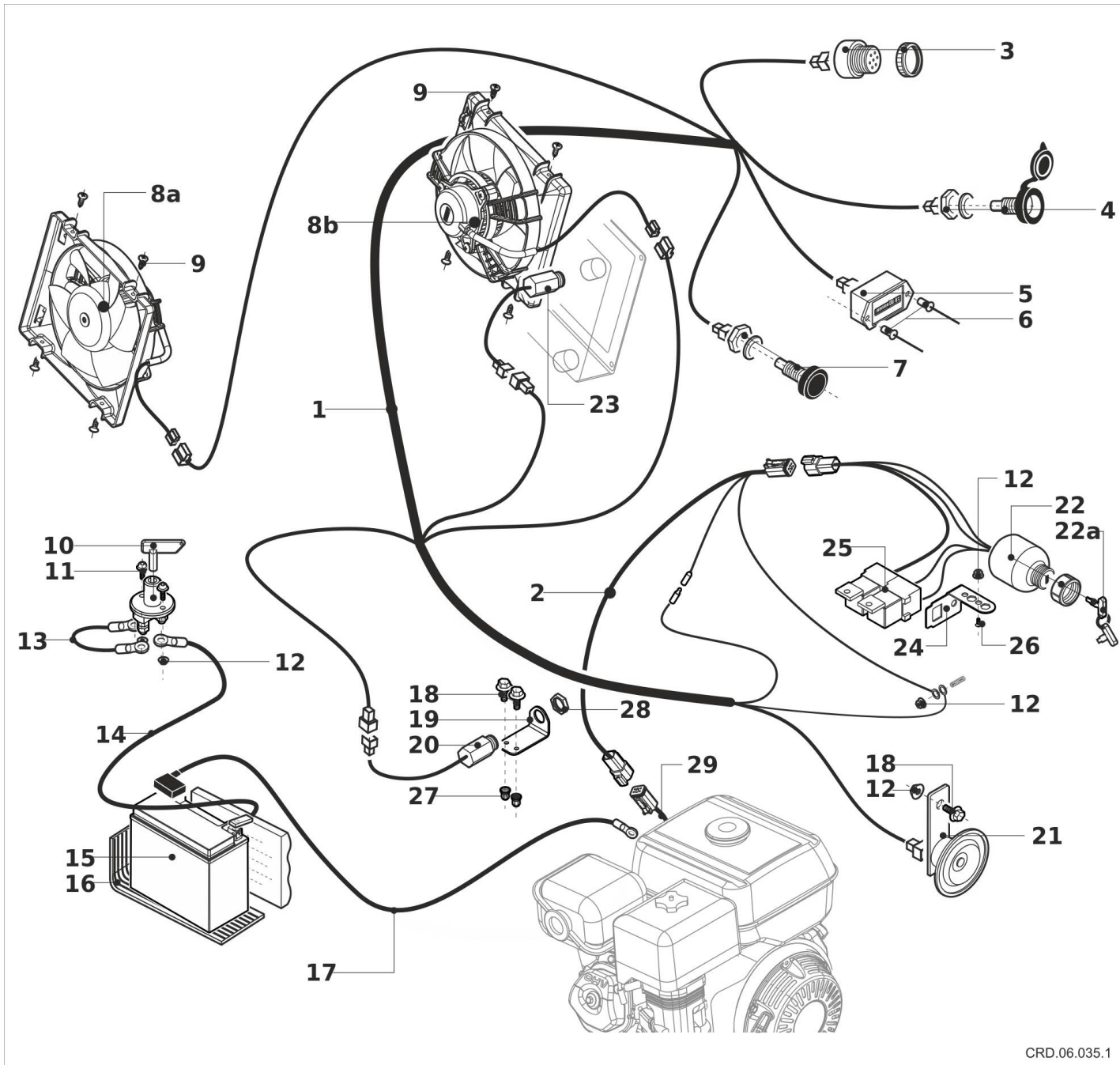
#	Code	Description	Specification	UM	Qty
1	C1468.01.04	HYDRAULIC HOSE	F90° 1/8" - 1/4"...	NR	1
2	C1468.01.03	HYDRAULIC HOSE	F90° 1/8" - 1/4"...	NR	1
3	C2091	LIVES	M8x16	NR	8
4	C0020.06.02	BOND WASHER 1/4	1/4"	NR	8
5	C0020.01.02	NIPPLES 1/4 GAS	1/4" MM	NR	2
6	C1400.01.00	HOSE CLIP		NR	8
8	C1155.00.04	GASKET	3/8"	NR	4
13	C1232	FITTING	3/8" - 1/8"	NR	4
14	C3220.02.15	VALVE BLOCK	2+2 leve/levers	NR	1
14a	C3220.02.18	COIL 12V VBR II		NR	1
15	C0191.01.05	NUT M10FLG	M10	NR	2
20	C4220.02.36	C4220.02.36	M10x175	NR	2
25	C3020.02.03	JACK	HI	NR	1
25CKG	C3020.02.03.KG	SEAL KIT		NR	1
26	C3020.01.05	JACK		NR	1
26CKG	C3020.01.05.KG	SEAL KIT		NR	1
27	C1460.01.01	HYDRAULIC HOSE		NR	1
28	C1460.02.01	HYDRAULIC HOSE		NR	1
29	C1193	FITTING	1/4"	NR	2





CRD.06.035.0

#	Code	Description	Specification	UM	Qty
1	C3070.16.00	ELECTRICAL SYSTEM		NR	1
2	C3070.16.11	ELECTRICAL HARNESS ADAPTER		NR	1
3	C1121.02.00	BUZZER		NR	1
4	C6070.25.00	PRESA DC OUT 12V		NR	1
5	C1127.80.02	HOUR COUNTER		NR	1
6	C1143.02.00	RIVET	Ø4	NR	2
7	C1127.44.02	CLACSON BUTTON		NR	1
8a	C3020.24.04	ELECTRIC FAN	F17-12C001-1B WPC	NR	1
8b	C3020.24.05	ELECTRIC FAN C55-C60-C85	F17-12C001-1S WPC	NR	1
9	C2034.01.00	SELF-DRILLING SCREW	M4x19	NR	8
10	C6070.01.00	BATTERY DISCONNECTOR		NR	1
11	C0190.52.03	LIVES	M6x16	NR	2
12	C2030.01.00	NUT	M6	NR	3
13	C6070.01.01	WIRE		NR	1
14	C1197.02.00	CABLE		NR	1
15	C3070.11.00	DRUMS		NR	1
16	C1198.01.00	ISOLATION PAD		NR	1
17	C1196.02.00	CABLE		NR	1
18	C0190.32.03	LIVES	M6x20	NR	5
19	C4210.01.01	SUPPORT		NR	1
20	C4070.05.00	TEMPERATURE BULB	Bicontatto	NR	1
21	C1127.48.02	CLACSON 12V	12V	NR	1
22	C3070.16.12	IGNITION SWITCH W/ KEY		NR	1
23	C3020.25.00	BULB TEMPERATURE 65	3/8"	NR	1



CRD.06.035.1

#	Code	Description	Specification	UM	Qty
1	C3070.16.09	C60 HONDA HARNESS		NR	1
2	C3070.16.13	C60 HONDA HARNESS		NR	1
3	C1121.02.00	BUZZER		NR	1
4	C6070.25.00	PRESA DC OUT 12V		NR	1
5	C1127.80.02	HOUR COUNTER		NR	1
6	C1143.02.00	RIVET	Ø4	NR	2
7	C1127.44.02	CLACSON BUTTON		NR	1
8a	C3020.24.04	ELECTRIC FAN	F17-12C001-1B WPC	NR	1
8b	C3020.24.05	ELECTRIC FAN C55-C60-C85	F17-12C001-1S WPC	NR	1
9	C2034.01.00	SELF-DRILLING SCREW	M4x19	NR	8
10	C6070.01.00	BATTERY DISCONNECTOR		NR	1
11	C0190.52.03	LIVES	M6x16	NR	2
12	C2030.01.00	NUT	M6	NR	4
13	C6070.01.01	WIRE		NR	1
14	C1197.02.00	CABLE		NR	1
15	C3070.11.00	DRUMS		NR	1
16	C1198.01.00	ISOLATION PAD		NR	1
17	C1196.02.00	CABLE		NR	1
18	C0190.32.03	LIVES	M6x20	NR	5
19	C4210.01.00	SUPPORT		NR	1
20	C4070.05.04	TEMPERATURE BULB S.60 50/80	Bicontatto S60	NR	1
21	C1127.48.02	CLACSON 12V	12V	NR	1
22	C4270.02.04	STARTING PANEL	Honda	NR	1
22a	C1109.00.70	KEY		NR	1
23	C3020.25.00	BULB TEMPERATURE 65	3/8"	NR	1
24	C4200.12.01	RELAY SUPPORT		NR	1
25	C4270.02.02	RELAY GROUP		NR	1
26	C0190.02.02	SCREW T.C.E.I.	M6x12	NR	1
27	C0189.01.02	INSERT	M6	NR	2
28	C0191.01.64	BULB NUT 1/2	1/2"	NR	1
29	C3070.16.18	C60 HONDA HARNESS	C60H	NR	1