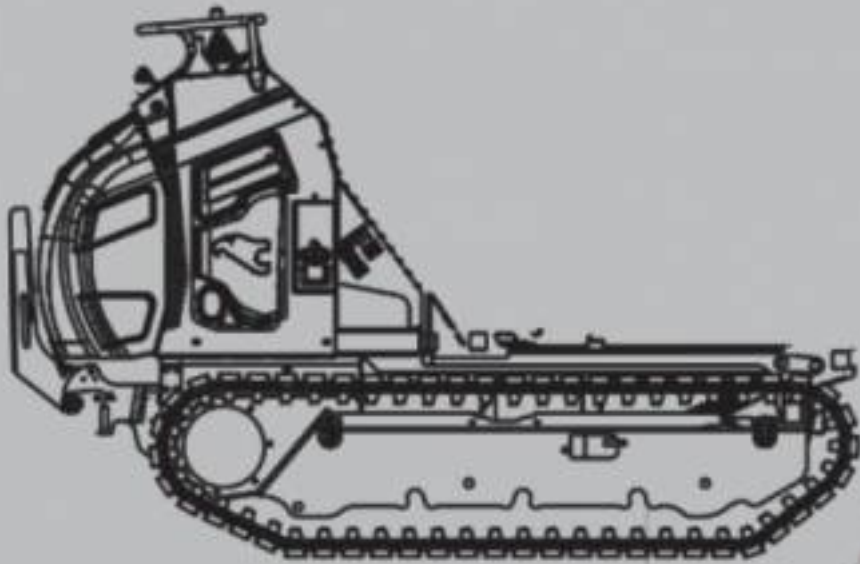


C1200 SPEC 2

CMF



Kubota

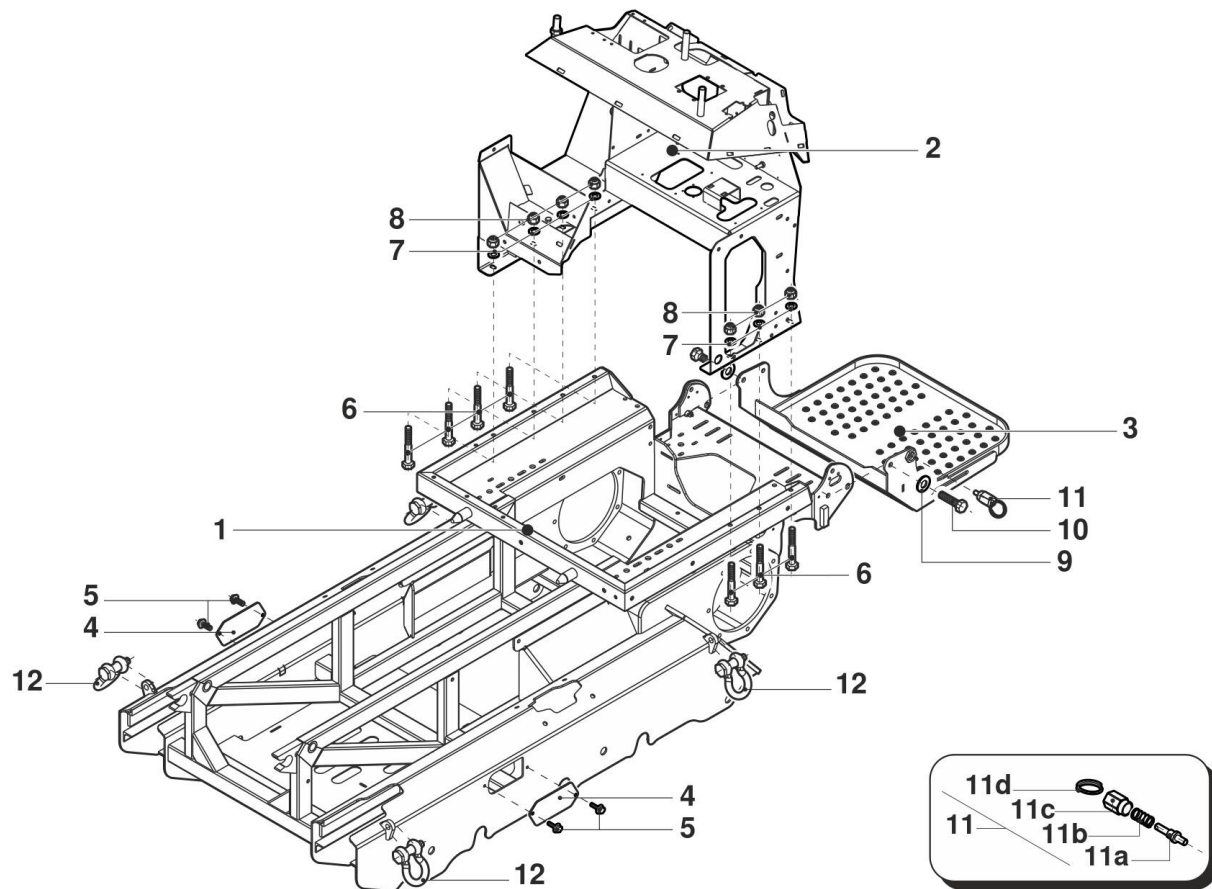


Diesel

Spare parts catalogue
C1200 Spec 2

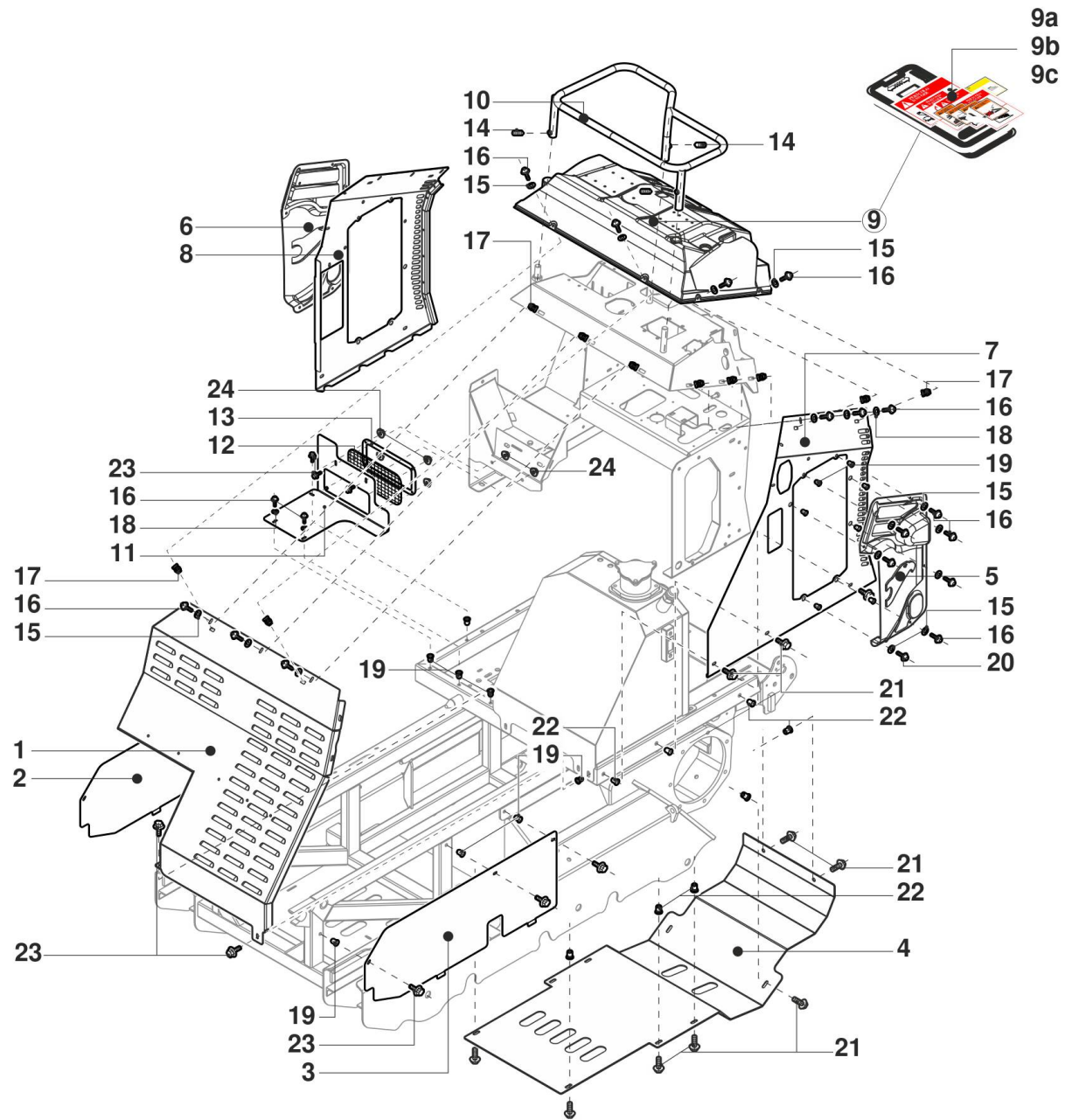
Index

FRAME (Valid up to S/N CRMCMF12VLOL00265)	3
COVER AND PROTECTION (Valid up to S/N CRM12002HJ0E35343)	5
CARTER AND PROTECTION (Valid from S/N CRM12001JJ0E36069)	8
TRANSMISSION (Valid up to S/N CRM12002HH0L24783)	11
TRANSMISSION (Valid from S/N CRM12002VH0P26895)	13
ROLLERS (Valid up to S/N CRMCMF12HLOL00478)	15
ENGINE ASSEMBY (Valid from S/N CRM12002EJ0S43208)	17
INTAKE / EXHUST (Valid up to S/N CRM12002VH0P26895)	20
INTAKE / EXHAUST (Valid from S/N CRM12002LH0R27313 to S/N CRM12002CJ0S42889)	22
INTAKE / EXHAUST (Valid from S/N CRM12002EJ0S43208)	24
SERBATOIO GASOLIO Rev.0	26
SERBATOIO GASOLIO Rev.1	28
TANK Rev.2	30
HYDRAULIC OIL TANK (SPEC.1-2) (Valid up to S/N CRM15022AL0E65978)	32
HYDRAULIC OIL TANK (SPEC.1-2) (Valid from S/N CRMCMF15JMOB01499)	34
HYDRAULIC PUMPS (SPEC.1-2) Rev.0	36
DISTRIBUTOR (SPEC. 2) rev0	38
DISTRIBUTOR (SPEC. 2) rev1	40
DRAIN CONNECTOR	42
DISTRIBUTOR JOYSTICK	44
TRACTION MANIPULATOR	46
RADIATOR	48
HYDRAULIC VALVES (Valid up to S/N CRMCMF12CMOT03988)	50
HYDRAULIC VALVES (Valid from S/N CRMCMF12JMOT03990)	52
ENGINE BONNET	54
ELECTRIC FLOATING (OPTIONAL)	56
ELECTRICAL WIRING (LOWER) D1XX5	58
ELECTRICAL WIRING (UPPER)	60



CMF.10.001.0

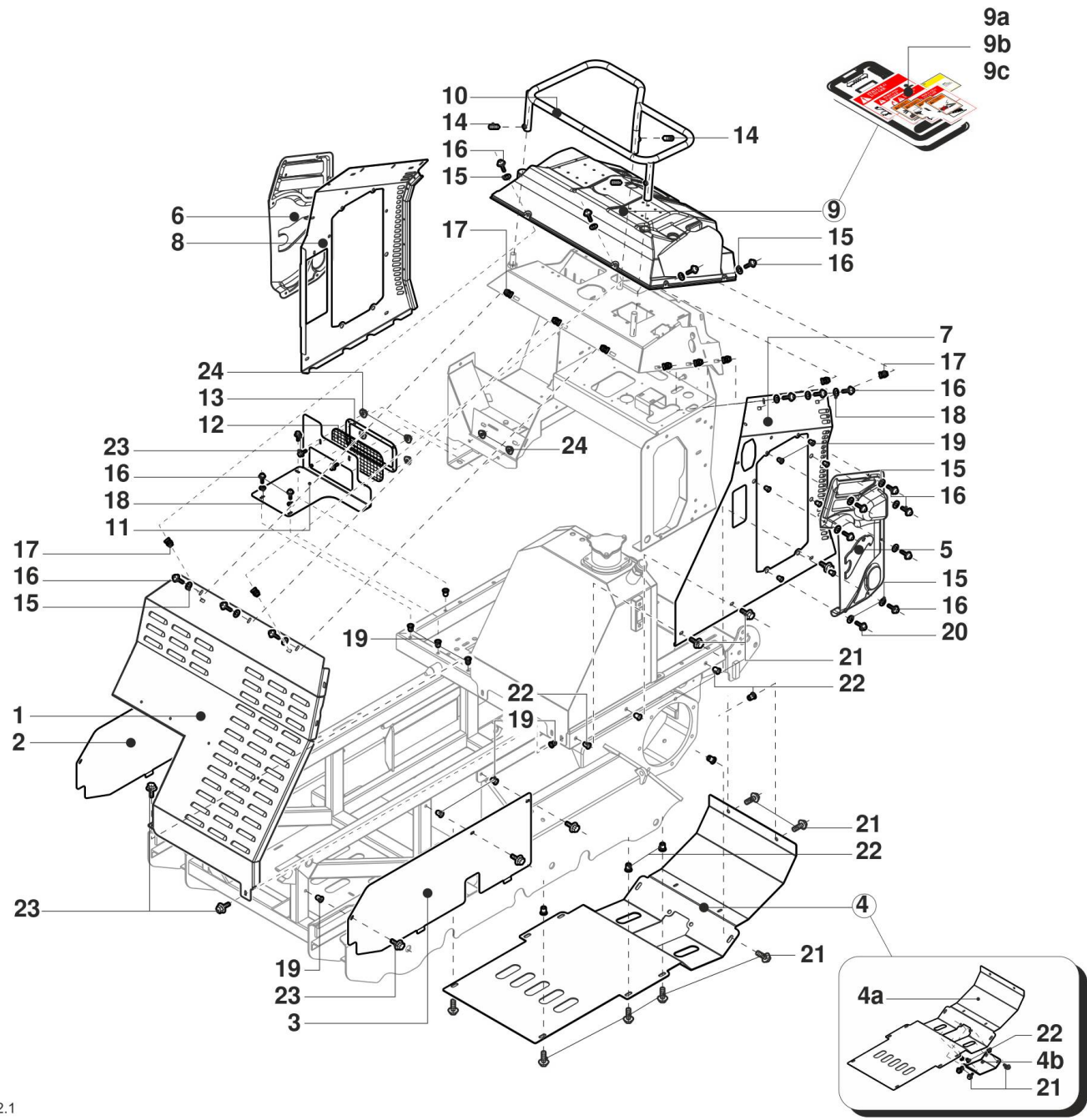
#	Code	Description	Specification	UM	Qty
1	C7200.01.01	CHASSIS	i665x51-C1150/C1200	NR	1
2	C7260.00.01	DASHBOARD S.1000		NR	1
3	C7200.04.00	PLATFORM		NR	1
4	C7240.06.02	TRACK TENSIONER COVER		NR	2
5	C0190.33.01	LIVES	M8x16	NR	4
6	C0190.24.12	T.E. SCREW	M10x85	NR	7
7	C2002	WASHER	M10	NR	7
8	C2022	NUT	M10	NR	7
9	C2003	WASHER	M12	NR	2
10	C0190.25.04	TE PIN M12X35	M12x35	NR	2
11	C3000.27.04	PLATFORM STOP		NR	1
11a	C3000.27.03	PISTON		NR	1
11b	C3000.27.06	SPRING D.18X1.5		NR	1
11c	C3000.27.02	BODY LOCKING MECHANISM		NR	1
11d	C3000.27.07	SPRING RING		NR	1
12	C0280.00.03	HOOK	5/8"	NR	4



CMF.10.002.0

#	Code	Description	Specification	UM	Qty
1	C7260.04.03	FRONT COVER		NR	1
2	C7200.20.11	CARTER	C1150-C1200	NR	1
3	C7200.20.12	CARTER	C1150-C1200	NR	1
4	C7200.03.02	ARMOURAGE	C1150-C1200	NR	1
5	C7260.06.02	LEFT ABS COVER		NR	1
6	C7260.06.03	RH ABS COVER		NR	1
7	C7260.04.01	LEFT DASHBOARD COVER		NR	1
8	C7260.04.02	RIGHT DASHBOARD COVER		NR	1
9	C7260.06.11	SPEC-1 THERMOFORMED CONSOLE	Specificare colore / S... For the Rubber Bellow ...	NR	1
9	C7260.06.12	SPEC-2 UPPER CONSOLE	Specificare colore / S... For the Rubber Bellow ...	NR	1
9	C7260.06.13	SPEC-3 UPPER CONSOLE	Specificare colore / S... For the Rubber Bellow ...	NR	1
9	C7260.06.21	CONSOLE ABS SPEC. 1 W/FLOATING	Specificare colore / S... For the Rubber Bellow ...	NR	1
9	C7260.06.22	CONSOLE	Specificare colore / S... For the Rubber Bellow ...	NR	1
9	C7260.06.23	CONSOLE	Specificare colore / S... For the Rubber Bellow ...	NR	1
9	C7260.06.32	CONSOLE	Specificare colore / S... For the Rubber Bellow ...	NR	1
9	C7260.06.33	SPEC-3 CONSOLE D7	Specificare colore / S... For the Rubber Bellow ...	NR	1
9a	A1600.11.01	STICKER KIT SPEC-1	C1600 Spec 1	NR	1
9b	A1600.11.02	SPEC-2 ADHESIVE KIT	C1600 Spec 2	NR	1
9c	A1600.11.03	SPEC-3 CONSOLE STICKER KIT	C1600 Spec 3	NR	1
10	C7260.02.00	CMF HANDLE		NR	1
11	C7260.04.04	CLUTCH COVER		NR	1
12	C7260.04.05	RETINA GRAFTS		NR	1
13	C7260.04.06	RETINAL FRAME GRAFTS		NR	1
14	C2027.00.01	ROLLER SCREW	M8x10	NR	3
15	C0192.03.06	WASHER	M6	NR	20
16	C0190.52.04	LIVES	M6x20	NR	30
17	C0191.01.52	NUT IN CAGE	M6-2,5	NR	14
18	C0192.01.06	WASHER	M6	NR	11
19	C2063	INSERT	M6	NR	25
20	C0190.52.03	LIVES	M6x16	NR	1
21	C0190.33.02	FLANGED TE SCREW 8X20 ZN	M8x20	NR	16
22	C0189.00.03	M8 THREADED INSERT	M8	NR	16

#	Code	Description	Specification	UM	Qty
23	C0190.32.03	LIVES	M6x20	NR	11
24	C2030.01.00	NUT	M6	NR	6



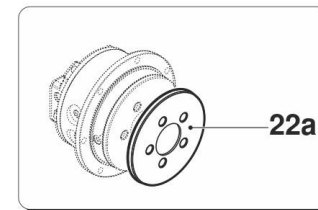
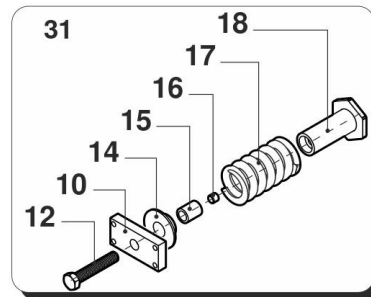
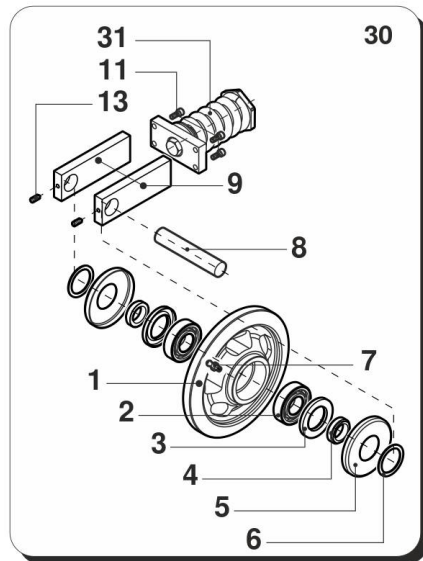
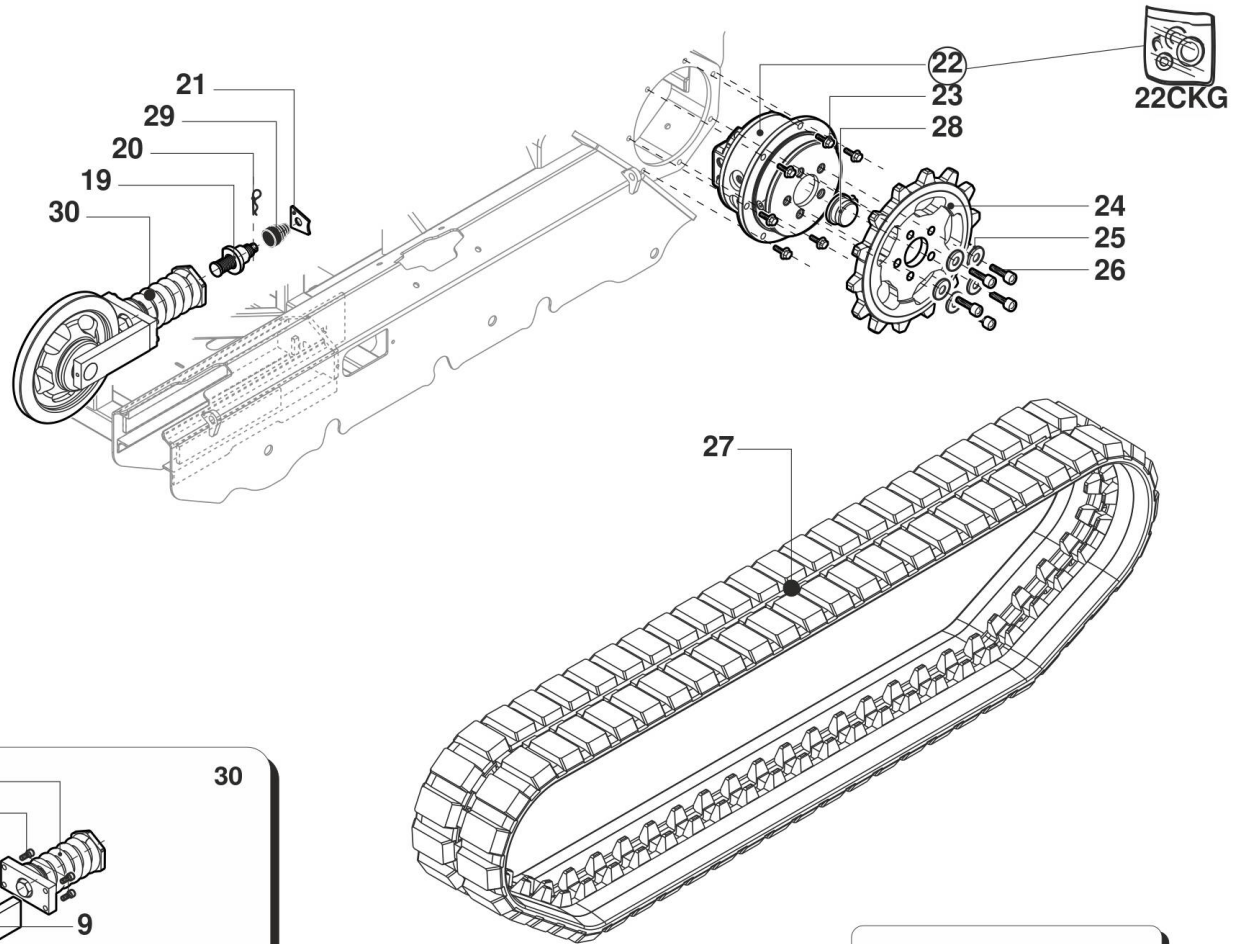
CMF.10.002.1

CARTER AND PROTECTION (Valid from S/N CRM12001JJ0E36069)



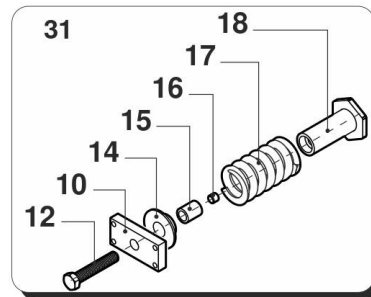
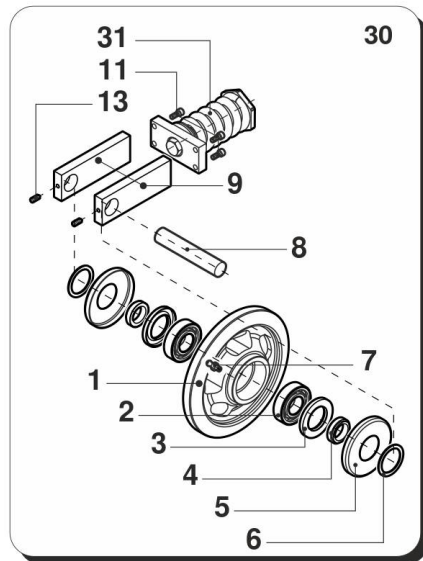
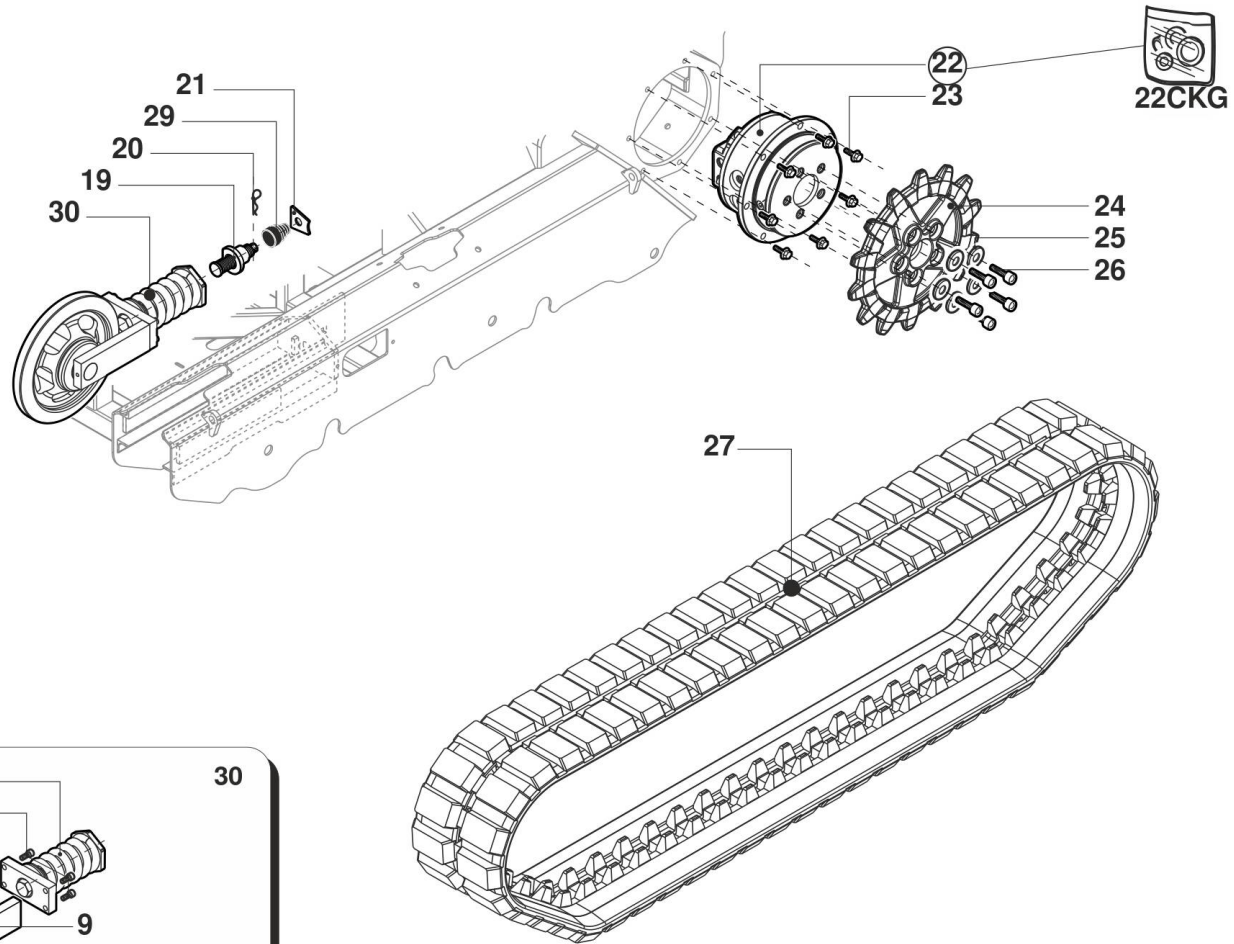
#	Code	Description	Specification	UM	Qty
1	C7260.04.03	FRONT COVER		NR	1
2	C7200.20.11	CARTER	C1150-C1200	NR	1
3	C7200.20.12	CARTER	C1150-C1200	NR	1
4	C7200.03.12	ARMOR CMF	C1150-C1200	NR	1
4a	P7200.03.12.01	ARMOURAGE	C1150-C1200	NR	1
4b	P7200.03.12.02	CORK	C1150-C1200	NR	1
5	C7260.06.02	LEFT ABS COVER		NR	1
6	C7260.06.03	RH ABS COVER		NR	1
7	C7260.04.01	LEFT DASHBOARD COVER		NR	1
8	C7260.04.02	RIGHT DASHBOARD COVER		NR	1
9	C7260.06.11	SPEC-1 THERMOFORMED CONSOLE	Specificare colore / S... For the Rubber Bellow ...	NR	1
9	C7260.06.12	SPEC-2 UPPER CONSOLE	Specificare colore / S... For the Rubber Bellow ...	NR	1
9	C7260.06.13	SPEC-3 UPPER CONSOLE	Specificare colore / S... For the Rubber Bellow ...	NR	1
9	C7260.06.21	CONSOLE ABS SPEC. 1 W/FLOATING	Specificare colore / S... For the Rubber Bellow ...	NR	1
9	C7260.06.22	CONSOLE	Specificare colore / S... For the Rubber Bellow ...	NR	1
9	C7260.06.23	CONSOLE	Specificare colore / S... For the Rubber Bellow ...	NR	1
9	C7260.06.32	CONSOLE	Specificare colore / S... For the Rubber Bellow ...	NR	1
9	C7260.06.33	SPEC-3 CONSOLE D7	Specificare colore / S... For the Rubber Bellow ...	NR	1
9a	A1600.11.01	STICKER KIT SPEC-1	C1600 Spec 1	NR	1
9b	A1600.11.02	SPEC-2 ADHESIVE KIT	C1600 Spec 2	NR	1
9c	A1600.11.03	SPEC-3 CONSOLE STICKER KIT	C1600 Spec 3	NR	1
10	C7260.02.00	CMF HANDLE		NR	1
11	C7260.04.04	CLUTCH COVER		NR	1
12	C7260.04.05	RETINA GRAFTS		NR	1
13	C7260.04.06	RETINAL FRAME GRAFTS		NR	1
14	C2027.00.01	ROLLER SCREW	M8x10	NR	3
15	C0192.03.06	WASHER	M6	NR	20
16	C0190.52.04	LIVES	M6x20	NR	30
17	C0191.01.52	NUT IN CAGE	M6-2,5	NR	14
18	C0192.01.06	WASHER	M6	NR	11
19	C2063	INSERT	M6	NR	25
20	C0190.52.03	LIVES	M6x16	NR	1

#	Code	Description	Specification	UM	Qty
21	C0190.33.02	FLANGED TE SCREW 8X20 ZN	M8x20	NR	16
22	C0189.00.03	M8 THREADED INSERT	M8	NR	16
23	C0190.32.03	LIVES	M6x20	NR	11
24	C2030.01.00	NUT	M6	NR	6



CMF.10.003.0

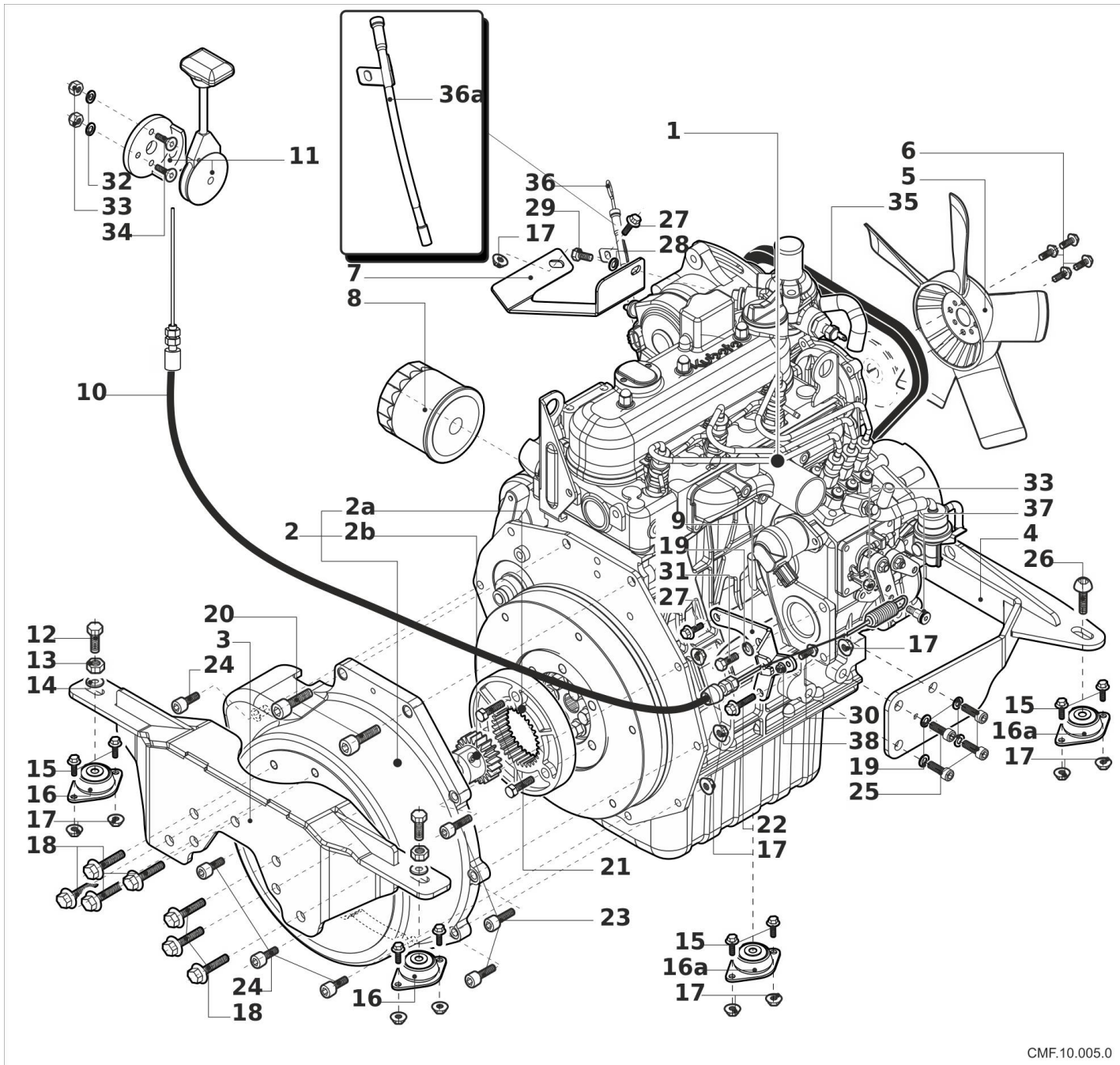
#	Code	Description	Specification	UM	Qty
1	C0040.06.52	IDLER WHEEL	PLE; CMF	NR	2
2	C0290.01.01	BEARING BALLS	6307 35x80x21	NR	4
3	C0291.00.02	OIL SEAL	50x80x8	NR	4
4	C7240.14.00	IDLER WHEEL SPACER		NR	4
5	C7240.15.00	FENDER WASHER R. NEUTRAL		NR	4
6	C7240.15.04	FENDER STOP		NR	4
7	C1047	GREASER	M6	NR	2
8	C7240.13.00	IDLER WHEEL AXLE		NR	2
9	C7240.12.22	WHEEL SUPPORT		NR	4
10	C7240.12.21	REAR SUPPORT		NR	2
11	C2077.02.00	LIVES	M10x35	NR	8
12	C2072.00.01	LIVES	M20x110	NR	2
13	C2027	ROLLER SCREW	M8x20	NR	4
14	C7240.18.02	SPRING GUIDE		NR	2
15	C7240.18.10	SPRING TRAVEL LIMITER	148	NR	2
16	C7240.18.13	PRELOAD PAD	148	NR	2
17	C1133.00.02	TRACK TENSIONER SPRING		NR	2
18	C1131.00.12	CYLINDER		NR	2
19	C1132.00.12	PISTON		NR	2
20	C1002.00.01	PIN	4	NR	2
21	C7240.20.31	TRACK TENSIONER ADJUSTMENT STOP		NR	2
22	C7220.03.03	CMF 1200 TOWING ENGINE		NR	2
22a	C7220.03.91	COVER WITH 1ST TYPE HOLE		NR	2
22CKG	C7220.03.01.KG	COMPLETE GASKET KIT		NR	2
23	C2073.03.00	LIVES	M12x25	NR	14
24	C7240.04.02	DRIVING WHEEL		NR	2
25	C0192.04.00	WASHER		NR	5
26	C0190.06.29	SCREW T.C.E.I.	M16x40 - 12.9	NR	5
27	C7240.03.11	TRACK C1200	200x72SuperKx51	NR	2
27	C7240.03.13	TRACK C1150		NR	2
28	C7240.04.12	DRIVE WHEEL CENTERING		NR	2
29	C3040.13.03	BELLOWS		NR	2
30	C7240.11.51	IDLER WHEEL CPT	C1150-C1200	NR	2
31	C7240.18.51	SPRING GROUP CMF 1200	C1150-C1200	NR	2



CMF.10.003.1

#	Code	Description	Specification	UM	Qty
1	C0040.06.52	IDLER WHEEL	PLE; CMF	NR	2
2	C0290.01.01	BEARING BALLS	6307 35x80x21	NR	4
3	C0291.00.02	OIL SEAL	50x80x8	NR	4
4	C7240.14.00	IDLER WHEEL SPACER		NR	4
5	C7240.15.00	FENDER WASHER R. NEUTRAL		NR	4
6	C7240.15.04	FENDER STOP		NR	4
7	C1047	GREASER	M6	NR	2
8	C7240.13.00	IDLER WHEEL AXLE		NR	2
9	C7240.12.22	WHEEL SUPPORT		NR	4
10	C7240.12.21	REAR SUPPORT		NR	2
11	C2077.02.00	LIVES	M10x35	NR	8
12	C2072.00.01	LIVES	M20x110	NR	2
13	C2027	ROLLER SCREW	M8x20	NR	4
14	C7240.18.02	SPRING GUIDE		NR	2
15	C7240.18.10	SPRING TRAVEL LIMITER	148	NR	2
16	C7240.18.13	PRELOAD PAD	148	NR	2
17	C1133.00.02	TRACK TENSIONER SPRING		NR	2
18	C1131.00.12	CYLINDER		NR	2
19	C1132.00.12	PISTON		NR	2
20	C1002.00.01	PIN	4	NR	2
21	C7240.20.31	TRACK TENSIONER ADJUSTMENT STOP		NR	2
22	C7220.03.03	CMF 1200 TOWING ENGINE		NR	2
22CKG	C7220.03.01.KG	COMPLETE GASKET KIT		NR	2
23	C2073.03.00	LIVES	M12x25	NR	14
24	C7240.04.52	DRIVE WHEEL MACHINED WITH PROTE		NR	2
25	C0192.04.00	WASHER		NR	5
26	C0190.06.29	SCREW T.C.E.I.	M16x40 - 12.9	NR	5
27	C7240.03.11	TRACK C1200	200x72SuperKx51	NR	2
27	C7240.03.13	TRACK C1150		NR	2
29	C3040.13.03	BELLOWS		NR	2
30	C7240.11.51	IDLER WHEEL CPT	C1150-C1200	NR	2
31	C7240.18.51	SPRING GROUP CMF 1200	C1150-C1200	NR	2

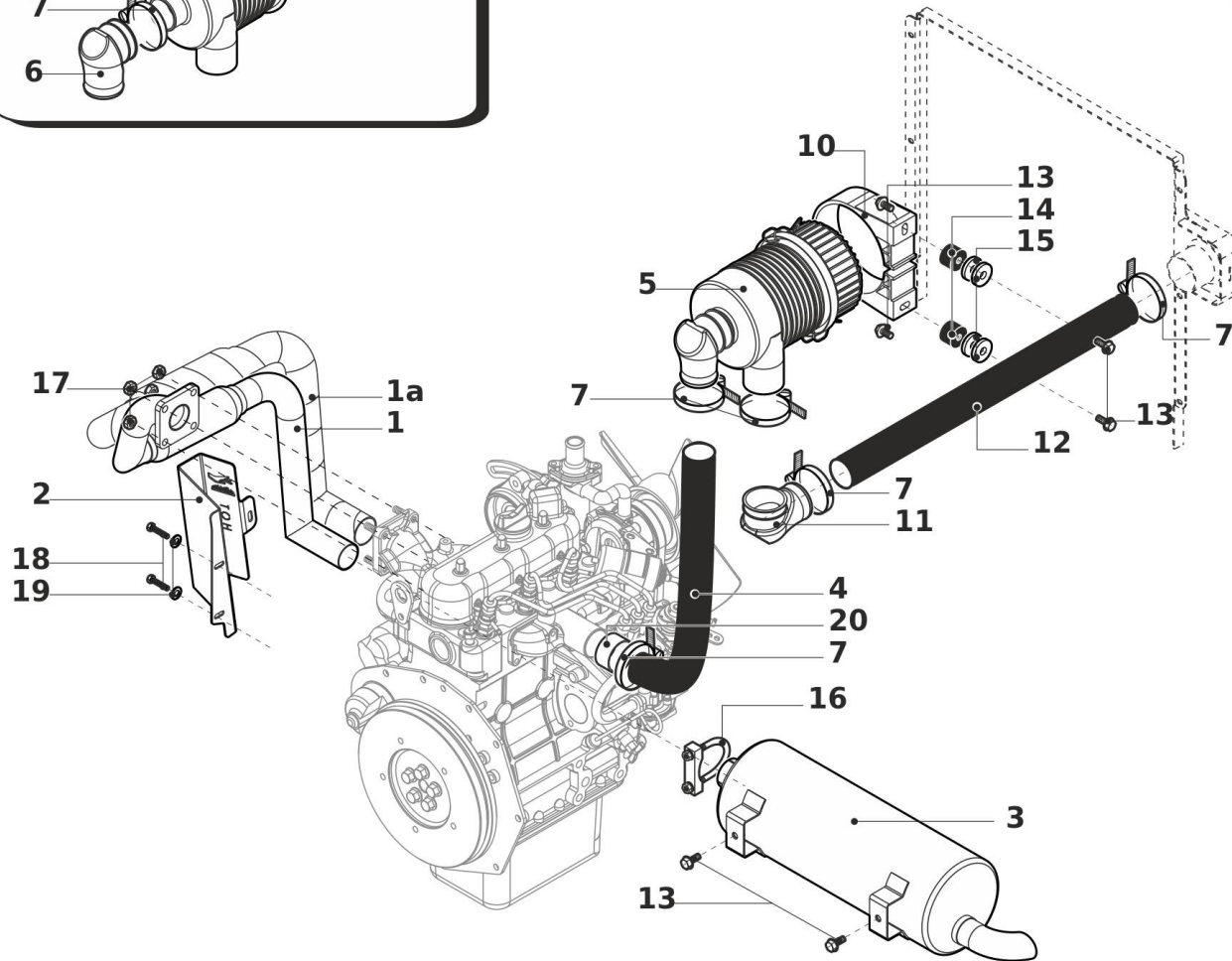
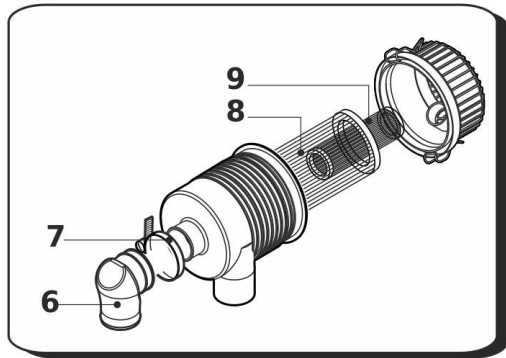
#	Code	Description	Specification	UM	Qty
1	C7240.10.01	ROLLER		NR	10
1a	C7240.10.00	COMPLETE ROLLER		NR	10
2	C7240.01.08	ROLLER SPACER		NR	10
3	C1068	BEARING BALLS	6304	NR	20
4	C1035.04.03	OIL SEAL		NR	20
5	C1035.03.05	SPACER	h=10	NR	20
6	C1036.01.00	WASHER		NR	20
7	C7240.10.09	SPACER WASHER		NR	16
8	C2025	SELF-BLOCKING DICE	M20	NR	14
9	C1035.03.04	SPACER	h=8	NR	12
10	C2071.00.02	SCREW TCEI 20X180	M20x180	NR	8
11	C1047	GREASER	M6	NR	14
12	C7240.01.01	ASYMMETRIC OSCILLATING CMF		NR	2
13	C7240.01.07	CMF ROLLER SPACER L=150		NR	4
14	C2004	WASHER	M20 ZN	NR	6
15	C2071.00.04	LIVES	M20x200	NR	6
16	C7240.01.11	SYMMETRIC OSCILLATING		NR	2
17	C0190.33.02	FLANGED TE SCREW 8X20 ZN	M8x20	NR	8
18	C7240.19.11	ROLLER KIT		NR	2
19	C0189.00.03	M8 THREADED INSERT	M8	NR	8



ENGINE ASSEMBY (Valid from S/N CRM12002EJ0S43208)

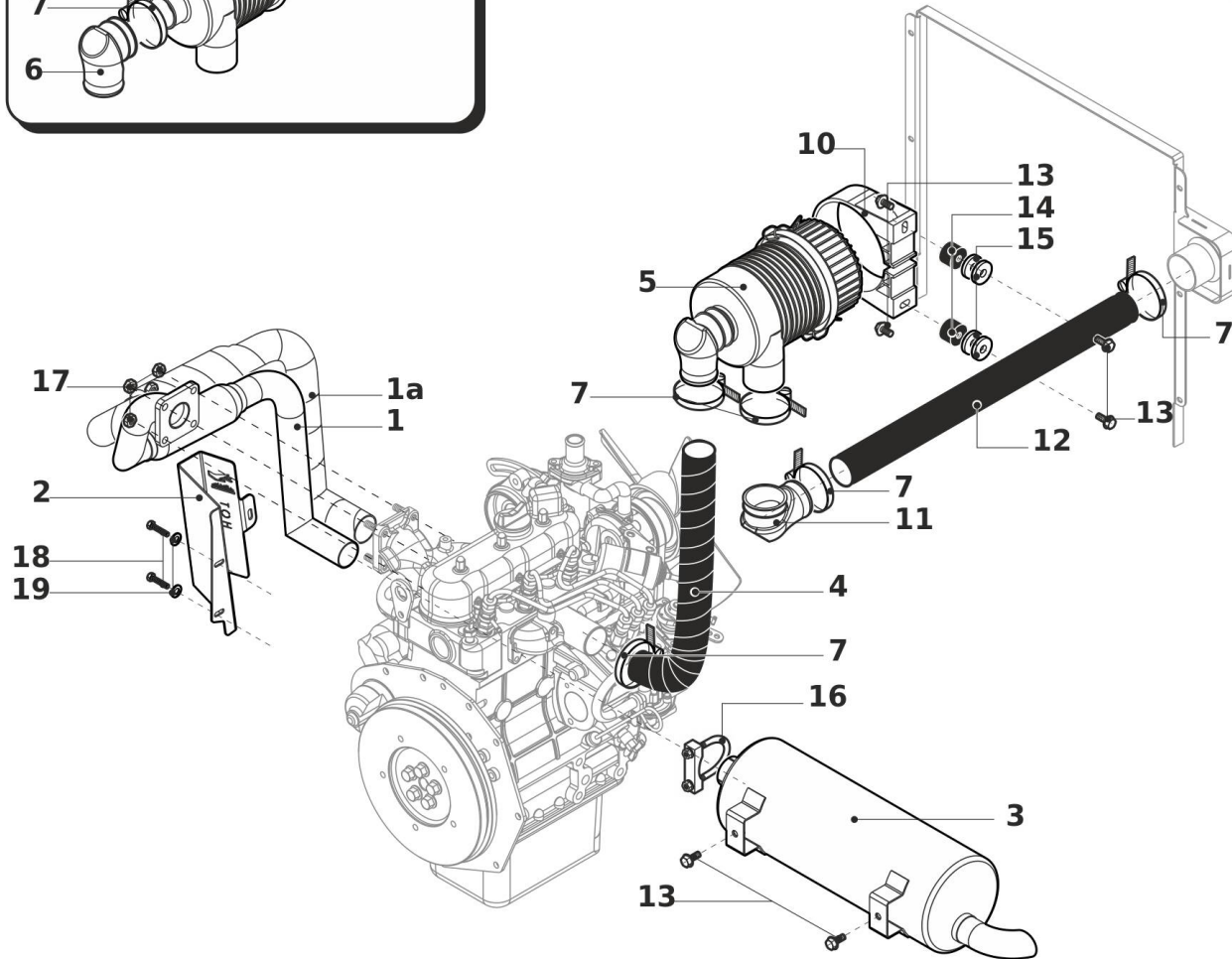
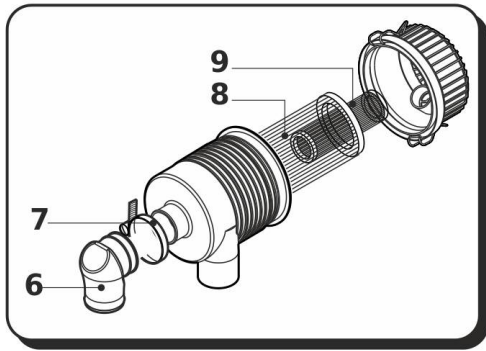
#	Code	Description	Specification	UM	Qty
1	C7210.02.02	KUBOTA D1105-E4B ENGINE		NR	1
2	C7210.03.01	KUBOTA KIT 05. SAE A Z.13 16/3		NR	1
2a	C7210.03.11	KUBOTA SUPER 5 FLANGE		NR	1
2b	C7210.03.21	HUB Z.33 Z.13 16/32 L=37	Kubota	NR	1
3	C7210.12.02	FRONT ENGINE SUPPORT		NR	1
4	C7210.12.04	REAR ENGINE PLATE DXX5		NR	1
5	C7210.11.04	KUBOTA D1005- D1005 FAN		NR	1
6	C0190.32.03	LIVES	M6x20	NR	4
7	C7210.07.10	OIL DIPSTICK BRACKET D1XX5		NR	1
8	C7210.02.72	OIL FILTER C1300-C1600	Kubota D1xx5	NR	1
9	C7210.07.13	ACCELERATOR ADJUSTMENT SUPPORT		NR	1
10	C6010.32.03	CMF ACCELERATOR CABLE	C1300-...-C1600	NR	1
11	C1259.01.00	COMMAND		NR	1
12	C0190.25.14	TE SCREW M12X35	M12x35	NR	3
13	C0191.01.46	NUT	M12	NR	3
14	C2003	WASHER	M12	NR	3
15	C0190.33.02	FLANGED TE SCREW 8X20 ZN	M8x20	NR	8
16	C0095.00.11	ANTI-VIBRATION	70 shore	NR	2
16a	C0095.00.12	ANTI-VIBRATION	60 shore	NR	2
17	C2092	NUT	M8	NR	8
18	C0190.34.03	TE SCREW M10X25 FLANGED	M10x25	NR	7
19	C2002	WASHER	M10	NR	9
20	C0193.04.07	HEXAGON SOCKET HEAD CAP SCREW	M10x40	NR	2
21	C0193.24.06	LIVES	M10x40	NR	3
22	C0190.33.03	FLANGED TE SCREW 8X25	M8x25	NR	1
23	C0190.03.05	SCREW T.C.E.I.	M8x35	NR	3
24	C2088.01.00	LIVES	M8x25	NR	4
25	C0193.04.03	HEXAGON SOCKET HEAD CAP SCREW	M10x25	NR	8
26	C0190.55.02	SCREW TBEI M12X25	M12x25	NR	1
27	C0190.33.01	LIVES	M8x16	NR	2
28	C2001	WASHER	M8	NR	1
29	C2091	LIVES	M8x16	NR	1
30	C0190.22.03	SCREW 6X20	M6x20	NR	1
31	C0193.24.02	LIVES	M10x20	NR	1
32	C0192.01.06	WASHER	M6	NR	2
33	C2020	NUT	M6	NR	3
34	C0190.12.04	SCREW T.S.E.I.	M6x25	NR	2
35	C1127.14.09	BELT	2375	NR	1
36	C7210.07.19	ENGINE OIL LEVEL DIPSTICK	Kubota D1xx5	NR	1
36a	C7210.07.17	OIL CUT GUIDE 1XX5		NR	1

#	Code	Description	Specification	UM	Qty
37	C0198.91.11	BOLT	M6xØ8x10	NR	1
38	C2030	NUT	M6	NR	1



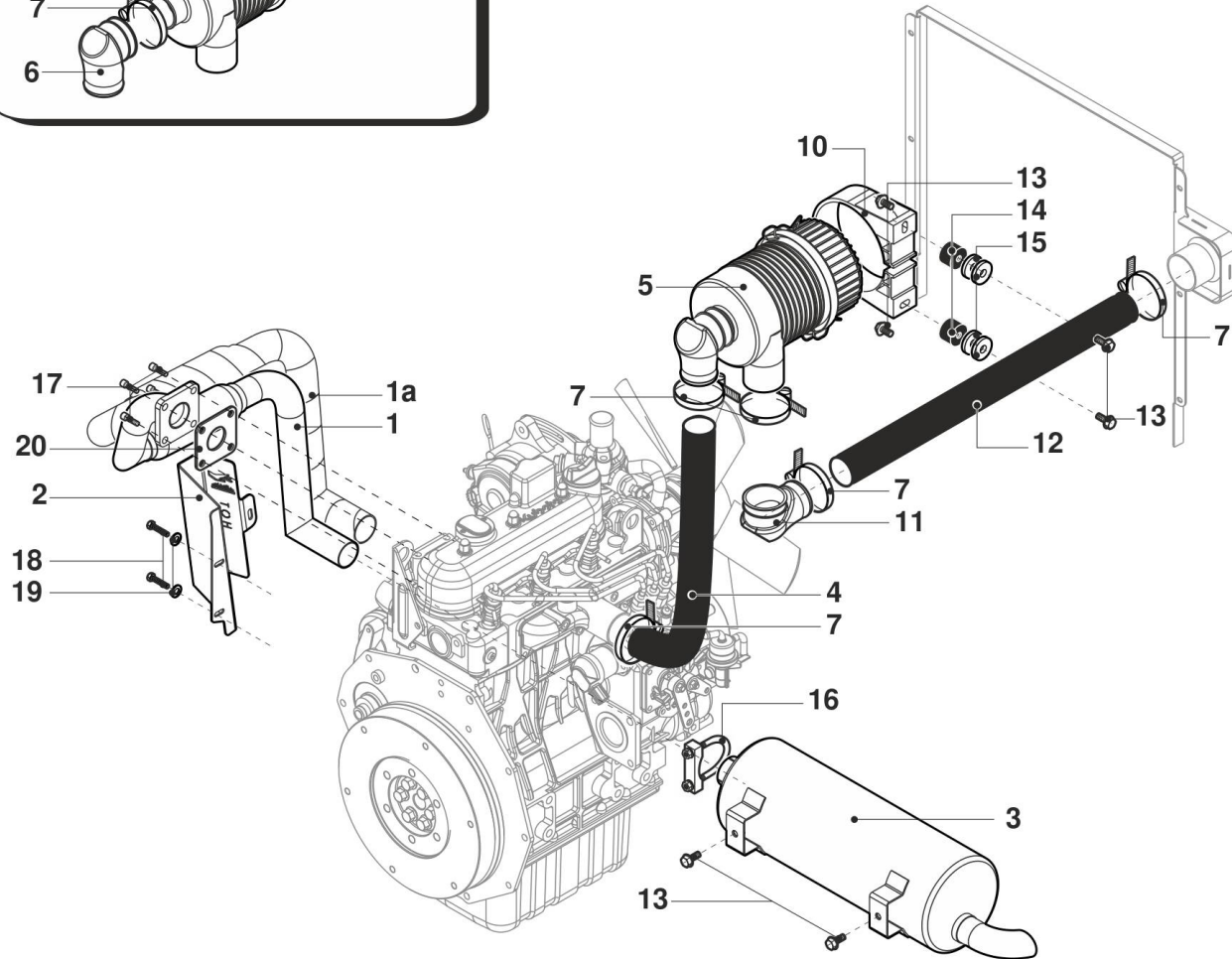
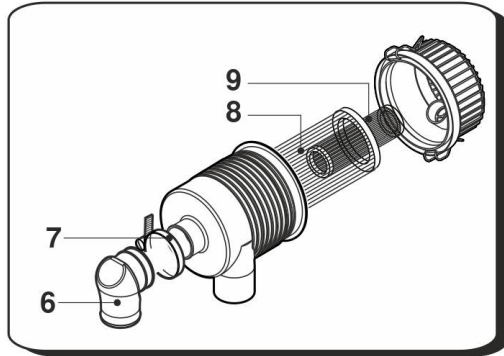
CMF.12.006.0

#	Code	Description	Specification	UM	Qty
1	C7210.06.12	EXHAUST MANIFOLD D.722		NR	1
1a	C7210.06.72	INSULATION COVER	D722	NR	1
2	C7260.05.07	EXHAUST COLLECTOR PROTECTION		NR	1
3	C7210.06.01	SIGAM F439 CMF EXHAUST		NR	1
4	C0096.20.11	SLEEVE		NR	1
5	C7210.01.01	FILTER	CPT	NR	1
6	C7210.01.06	KIT CURVE 4 "RUBBER OVERALL	4"	NR	1
7	C1127.94.00	CLAMP	Ø40-60	NR	6
8	C7210.01.02	PRIMARY CARTRIDGE		NR	1
9	C7210.01.03	FILTER		NR	1
10	C7210.01.05	CLAMP		NR	1
11	C7210.01.16	CURVA5 KIT REDUCED CURVE KUBO"	5"	NR	1
13	C2075	LIVES	M8x20	NR	6
14	C0095.02.03	ANTI-VIBRATION	Ø30x20 M8 -FF	NR	2
15	C2012.00.10	THICKENED WASHER D.10	M10	NR	4
16	C1127.88.01	JUMPER	G 45/8	NR	1
17	C2030	NUT	M6	NR	4
18	C2064.05.00	T.E. SCREW 6X20	M6x20	NR	3
19	C2000.01.01	WASHER	M6x24	NR	3
20	C0093.02.08	BUSHING	Ø40x40	NR	1



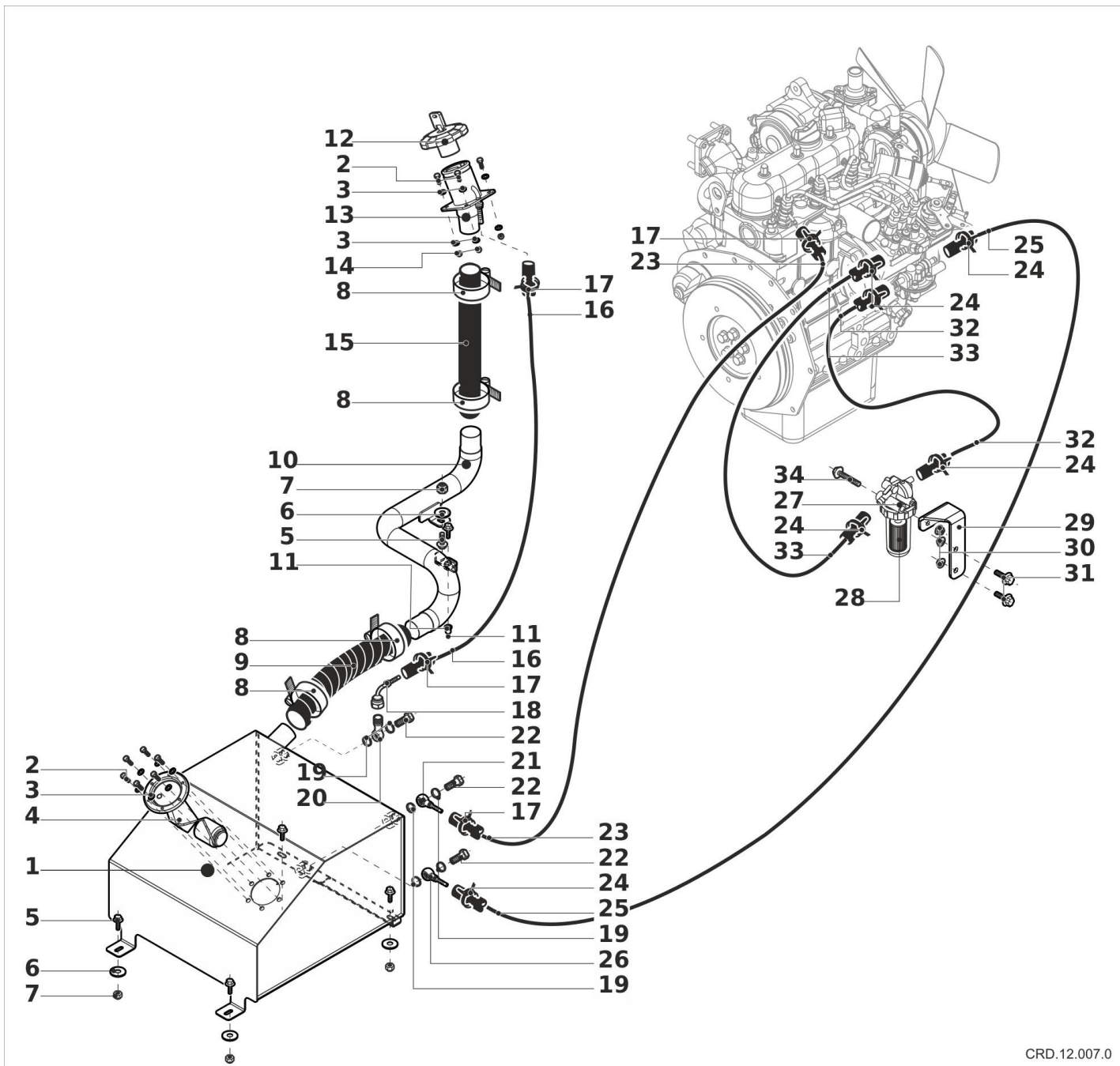
CMF.12.006.1

#	Code	Description	Specification	UM	Qty
1	C7210.06.12	EXHAUST MANIFOLD D.722		NR	1
1a	C7210.06.72	INSULATION COVER	D722	NR	1
2	C7260.05.07	EXHAUST COLLECTOR PROTECTION		NR	1
3	C7210.06.01	SIGAM F439 CMF EXHAUST		NR	1
4	C0096.23.06	TIGAR-FLEX SLEEVE D.40X300		NR	1
5	C7210.01.01	FILTER	CPT	NR	1
6	C7210.01.06	KIT CURVE 4 "RUBBER OVERALL	4"	NR	1
7	C1127.94.00	CLAMP	Ø40-60	NR	6
8	C7210.01.02	PRIMARY CARTRIDGE		NR	1
9	C7210.01.03	FILTER		NR	1
10	C7210.01.05	CLAMP		NR	1
11	C7210.01.16	CURVA5 KIT REDUCED CURVE KUBO"	5"	NR	1
13	C2075	LIVES	M8x20	NR	6
14	C0095.02.03	ANTI-VIBRATION	Ø30x20 M8 -FF	NR	2
15	C2012.00.10	THICKENED WASHER D.10	M10	NR	4
16	C1127.88.01	JUMPER	G 45/8	NR	1
17	C2030	NUT	M6	NR	4
18	C2064.05.00	T.E. SCREW 6X20	M6x20	NR	3
19	C2000.01.01	WASHER	M6x24	NR	3



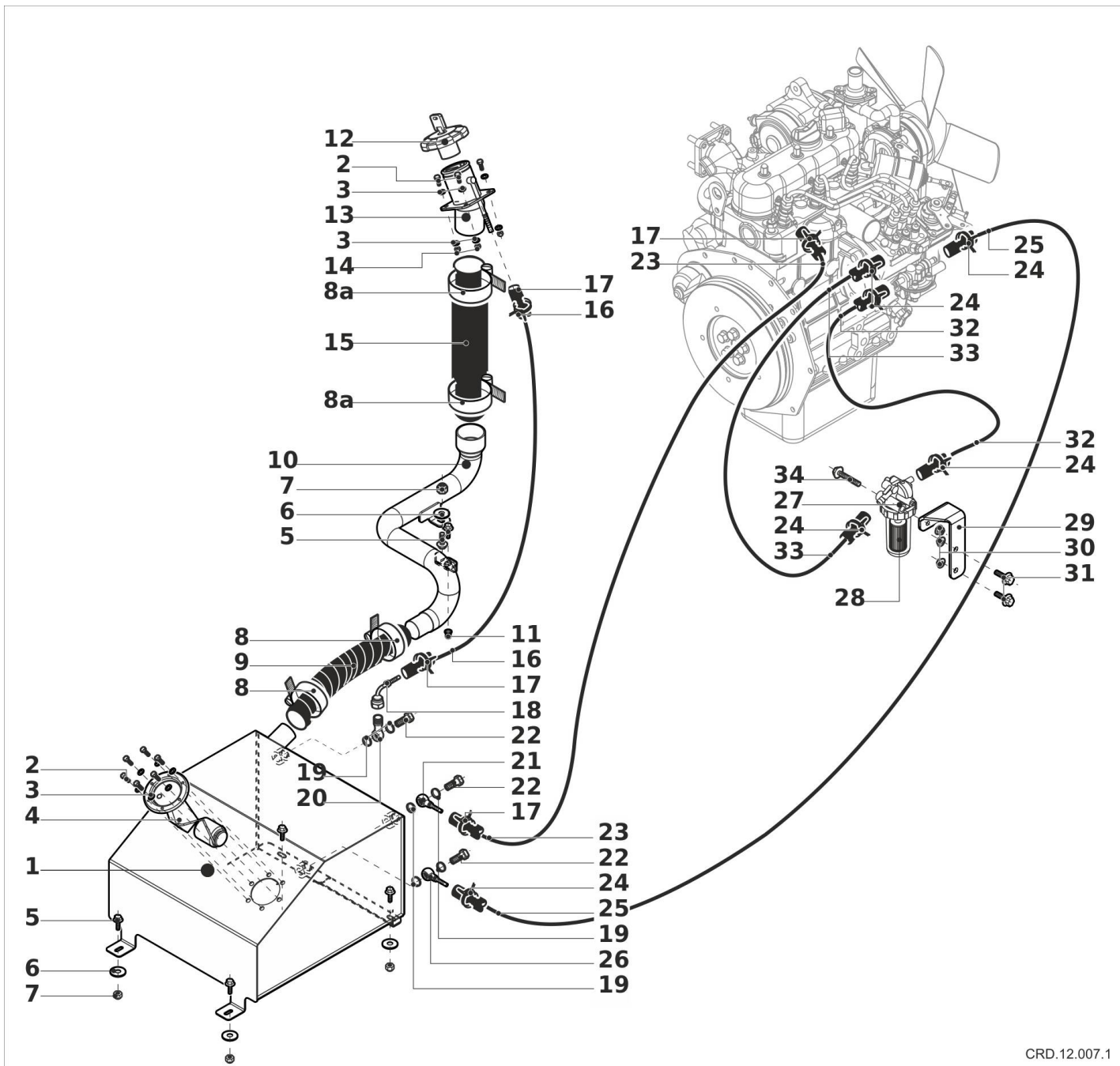
CMF.10.006.0

#	Code	Description	Specification	UM	Qty
1	C7210.06.07	EXHAUST MANIFOLD	Kubota D1xx5	NR	1
1a	C7210.06.62	EXHAUST MANIFOLD COVERING		NR	1
2	C7260.05.07	EXHAUST COLLECTOR PROTECTION		NR	1
3	C7210.06.01	SIGAM F439 CMF EXHAUST		NR	1
4	C0096.20.12	SLEEVE	Kubota D1xx5	NR	1
5	C7210.01.01	FILTER	CPT	NR	1
6	C7210.01.06	KIT CURVE 4 "RUBBER OVERALL	4"	NR	1
7	C1127.94.00	CLAMP	Ø40-60	NR	6
8	C7210.01.02	PRIMARY CARTRIDGE		NR	1
9	C7210.01.03	FILTER		NR	1
10	C7210.01.05	CLAMP		NR	1
11	C7210.01.16	CURVA5 KIT REDUCED CURVE KUBO"	5"	NR	1
12	C1130.48.31	SLEEVE	Ø48-L=31	NR	1
13	C0190.33.02	FLANGED TE SCREW 8X20 ZN	M8x20	NR	6
14	C0095.02.03	ANTI-VIBRATION	Ø30x20 M8 -FF	NR	2
15	C2012.00.10	THICKENED WASHER D.10	M10	NR	4
16	C1127.88.01	JUMPER	G 45/8	NR	1
17	C0190.03.03	SCREW T.C.E.I.	M8x16	NR	4
18	C2064.05.00	T.E. SCREW 6X20	M6x20	NR	3
19	C2000.01.01	WASHER	M6x24	NR	3
20	C7210.02.91	4 HOLES GASKET	Kubota	NR	1



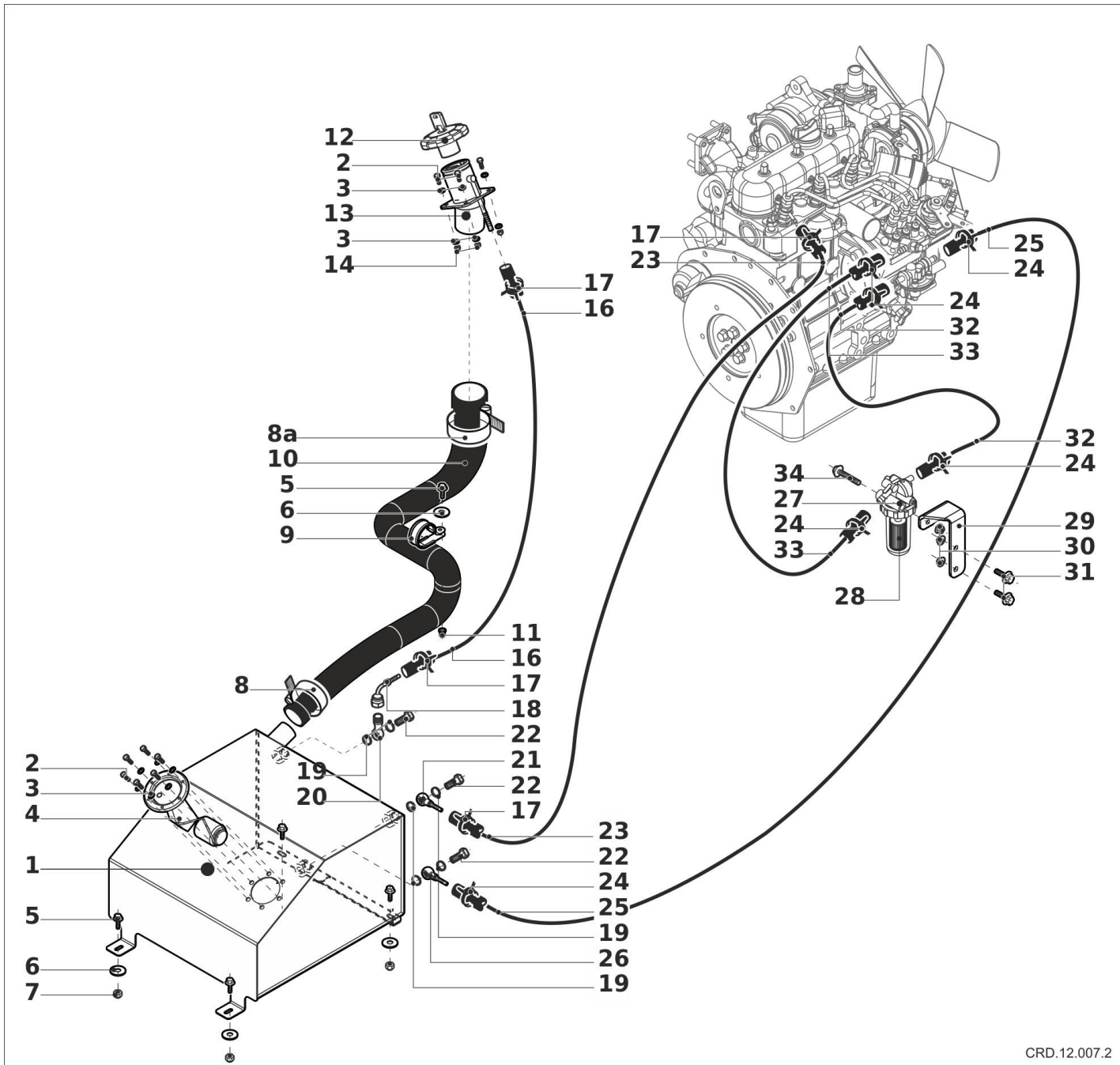
CRD.12.007.0

#	Code	Description	Specification	UM	Qty
1	C7250.00.01	DIESEL TANK		NR	1
2	C0190.21.02	T.E. SCREW	M5x16	NR	10
3	C2000.02.00	WASHER	M5	NR	14
4	C8170.16.02	CMF DIESEL FLOAT	CMF	NR	1
5	C2064	LIVES	M6x20	NR	6
6	C2000.01.01	WASHER	M6x24	NR	5
7	C2020	NUT	M6	NR	5
8	C1127.31.02	CABLE TIE	25-40	NR	4
9	C7250.00.83	TANK CONNECTION HOSE	C1150 - C1200	NR	1
10	C1650.00.28	HOSE		NR	1
11	C2063	INSERT	M6	NR	1
12	C1650.01.02	CORK		NR	1
12	C4250.01.04	CAP KEY	ricambio	NR	1
13	C1650.00.27	FILLER NECK		NR	1
14	C2010.01.00	NUT	M5	NR	4
15	C7250.00.80	TUBE		NR	1
17	C0030.02.02	SPRING HOSE CLAMP	13.6-14.4	NR	4
18	C0020.50.22	FEMALE SWIVEL PUSH-ON 45° ELBOW	1/4"-1/4"	NR	1
19	C0020.06.02	BOND WASHER 1/4	1/4"	NR	5
20	C0020.38.22	OCCHIO 1/4" FILETTATO 1/4"		NR	1
21	C0020.48.22	FITTING	1/4" x 1/4"	NR	1
22	C0020.07.02	DRILLED BOLT	1/4"	NR	2
24	C0030.02.03	CABLE TIE	15.1-16.2	NR	6
26	C0020.49.01	BANJO EYE FITTING	1/4" x 3/8"	NR	1
27	C7210.05.81	DIESEL FILTER	Kubota	NR	1
28	C7210.05.82	K ENGINE SEPARATOR CARTRIDGE		NR	1
29	C7210.07.22	DIESEL FILTER SUPPORT D722		NR	1
30	C2092	NUT	M8	NR	3
31	C2075	LIVES	M8x20	NR	2
34	C0030.02.01	CABLE TIE		NR	2
35	C0190.33.10	FLANGE HEX HEAD CAP SCREW	M8x70	NR	1



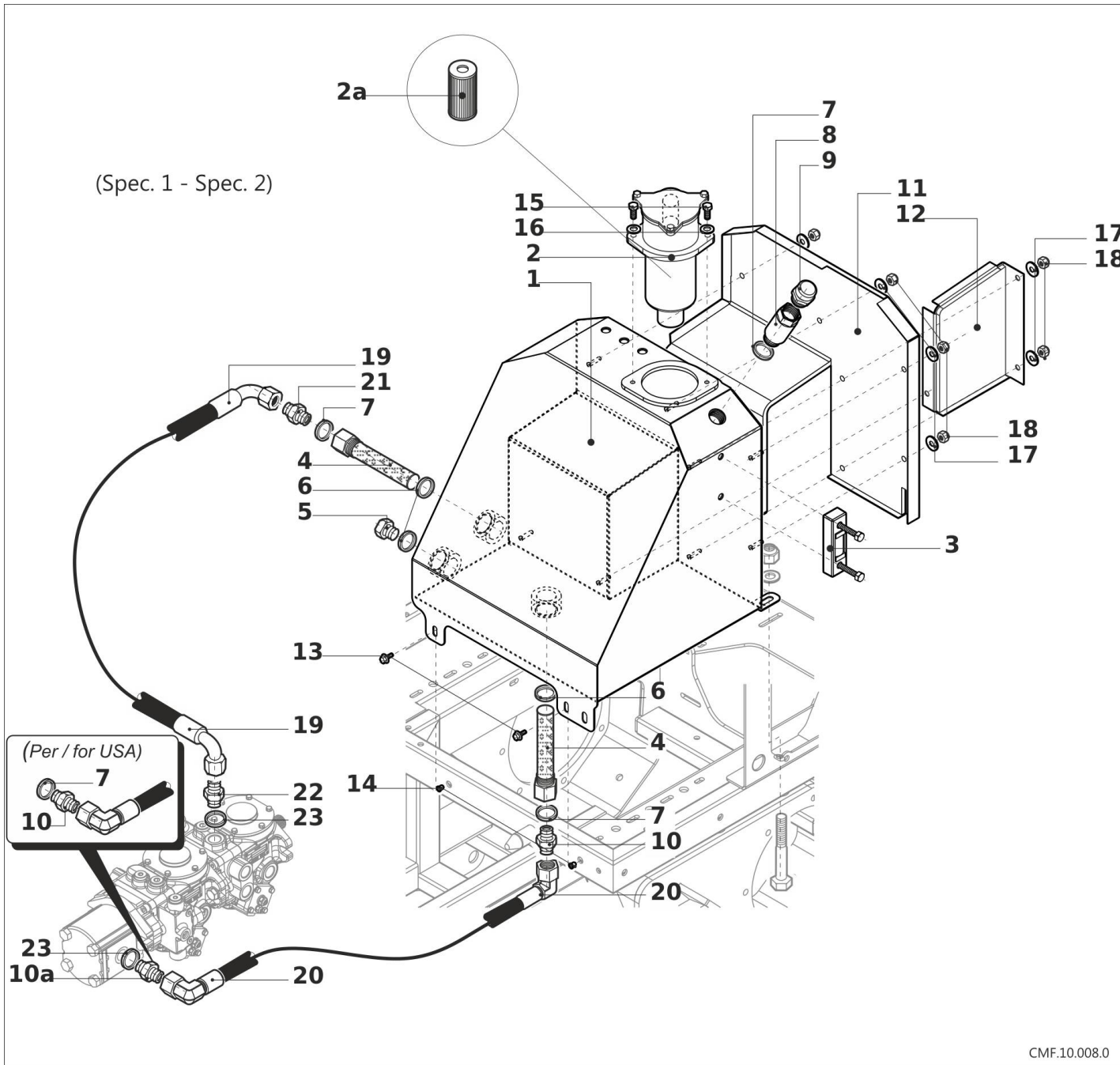
CRD.12.007.1

#	Code	Description	Specification	UM	Qty
1	C7250.00.01	DIESEL TANK		NR	1
2	C0190.21.02	T.E. SCREW	M5x16	NR	10
3	C2000.02.00	WASHER	M5	NR	14
4	C8170.16.02	CMF DIESEL FLOAT	CMF	NR	1
5	C2064	LIVES	M6x20	NR	6
6	C2000.01.01	WASHER	M6x24	NR	5
7	C2020	NUT	M6	NR	5
8	C1127.31.02	CABLE TIE	25-40	NR	2
8a	C1127.85.01	CABLE TIE	Ø 32-50	NR	2
9	C7250.00.83	TANK CONNECTION HOSE	C1150 - C1200	NR	1
10	C7250.00.03	DIESEL HOSE		NR	1
11	C2063	INSERT	M6	NR	1
12	C1650.01.02	CORK		NR	1
12	C4250.01.04	CAP KEY	ricambio	NR	1
13	C7250.00.02	DIESEL FILLER		NR	1
14	C2010.01.00	NUT	M5	NR	4
15	C7250.00.81	TUBE		NR	1
16	C7250.02.16	TUBE	Ø6xØ13 C1150-C1200...	NR	1
17	C0030.02.02	SPRING HOSE CLAMP	13.6-14.4	NR	4
18	C0020.50.22	FEMALE SWIVEL PUSH-ON 45° ELBOW	1/4"-1/4"	NR	1
19	C0020.06.02	BOND WASHER 1/4	1/4"	NR	5
20	C0020.38.22	OCCHIO 1/4" FILETTATO 1/4"		NR	1
21	C0020.48.22	FITTING	1/4" x 1/4"	NR	1
22	C0020.07.02	DRILLED BOLT	1/4"	NR	2
24	C0030.02.03	CABLE TIE	15.1-16.2	NR	6
26	C0020.49.01	BANJO EYE FITTING	1/4" x 3/8"	NR	1
27	C7210.05.81	DIESEL FILTER	Kubota	NR	1
28	C7210.05.82	K ENGINE SEPARATOR CARTRIDGE		NR	1
29	C7210.07.22	DIESEL FILTER SUPPORT D722		NR	1
30	C2092	NUT	M8	NR	3
31	C2075	LIVES	M8x20	NR	2
34	C0030.02.01	CABLE TIE		NR	2
35	C0190.33.10	FLANGE HEX HEAD CAP SCREW	M8x70	NR	1

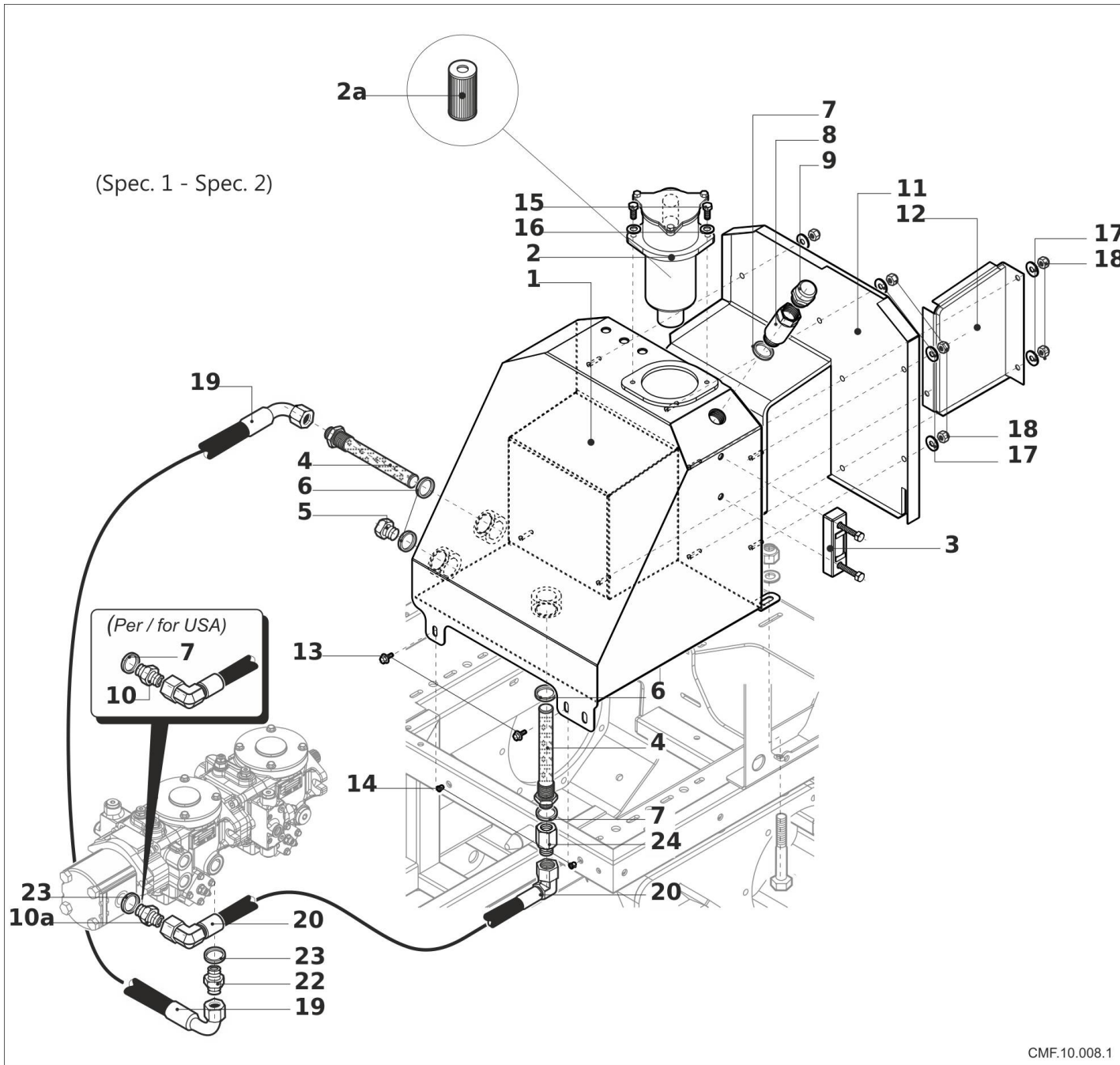


CRD.12.007.2

#	Code	Description	Specification	UM	Qty
1	C7250.00.01	DIESEL TANK		NR	1
2	C0190.21.02	T.E. SCREW	M5x16	NR	10
3	C2000.02.00	WASHER	M5	NR	14
4	C8170.16.02	CMF DIESEL FLOAT	CMF	NR	1
5	C2064	LIVES	M6x20	NR	5
6	C2000.01.01	WASHER	M6x24	NR	4
7	C2020	NUT	M6	NR	5
8	C1127.31.02	CABLE TIE	25-40	NR	1
8a	C1127.85.01	CABLE TIE	Ø 32-50	NR	1
9	C0030.03.40	RUBBER HOSE CLAMP	Ø40	NR	1
10	C7250.00.13	CMF DIESEL TANK FITTING		NR	1
11	C2063	INSERT	M6	NR	1
12	C1650.01.02	CORK		NR	1
12	C4250.01.04	CAP KEY	ricambio	NR	1
13	C7250.00.02	DIESEL FILLER		NR	1
14	C2010.01.00	NUT	M5	NR	4
16	C7250.02.16	TUBE	Ø6xØ13 C1150-C1200...	NR	1
17	C0030.02.02	SPRING HOSE CLAMP	13.6-14.4	NR	4
18	C0020.51.22	FEMALE SWIVEL PUSH-ON 90° ELBOW		NR	1
19	C0020.06.02	BOND WASHER 1/4	1/4"	NR	5
20	C0020.38.22	OCCHIO 1/4" FILETTATO 1/4"		NR	1
21	C0020.48.22	FITTING	1/4" x 1/4"	NR	1
22	C0020.07.02	DRILLED BOLT	1/4"	NR	2
23	C7250.02.06	TUBE	Ø5x12	NR	1
24	C0030.02.03	CABLE TIE	15.1-16.2	NR	6
25	C7250.02.26	DIESEL HOSE D.8X14 CMF 130 CM	Ø8xØ14 C1150-C1200...	NR	1
26	C0020.49.01	BANJO EYE FITTING	1/4" x 3/8"	NR	1
27	C7210.05.81	DIESEL FILTER	Kubota	NR	1
28	C7210.05.82	K ENGINE SEPARATOR CARTRIDGE		NR	1
29	C7210.07.22	DIESEL FILTER SUPPORT D722		NR	1
30	C2092	NUT	M8	NR	3
31	C2075	LIVES	M8x20	NR	2
32	C7250.02.27	TUBE	Ø8xØ14	NR	1
33	C7250.02.28	TUBE	Ø8xØ14	NR	1
34	C0190.33.10	FLANGE HEX HEAD CAP SCREW	M8x70	NR	1

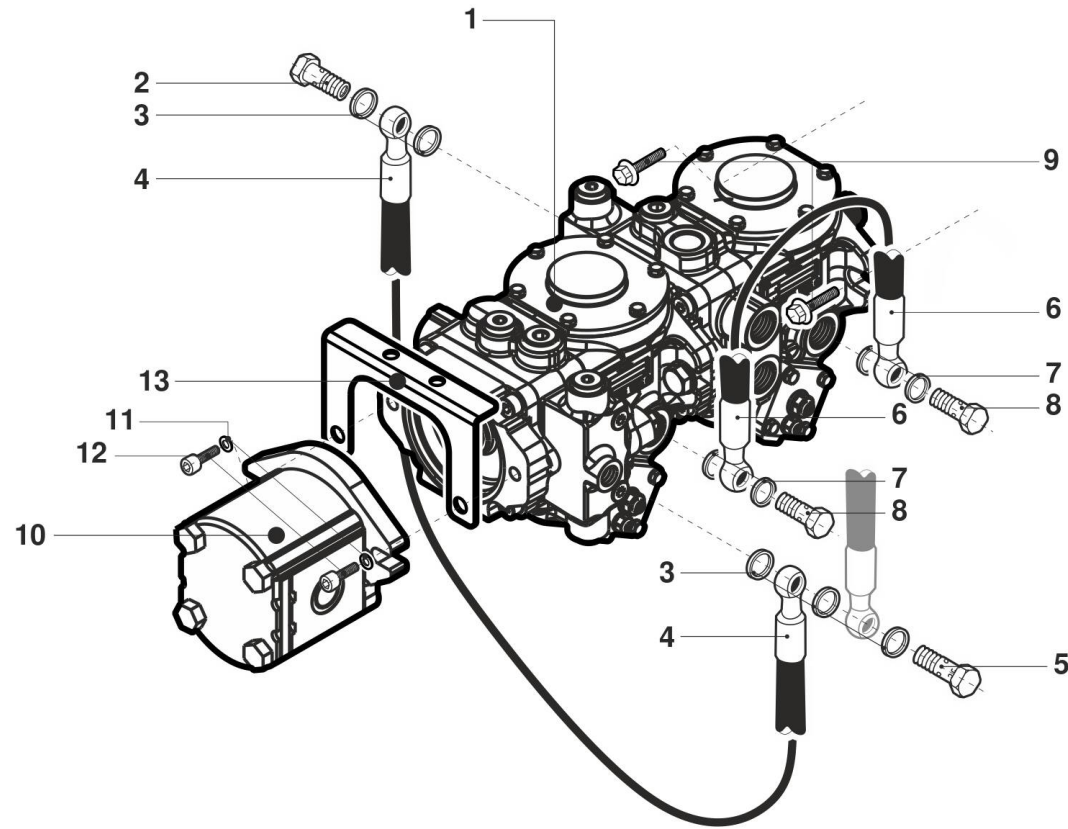


#	Code	Description	Specification	UM	Qty
1	C7250.01.01	OIL TANK		NR	1
2	C9050.01.02	HYD OIL FILTER		NR	1
2a	C9050.04.00	HYD OIL FILTER		NR	1
3	C1097.00.01	INDICATOR		NR	1
4	C1650.01.03	HYD OIL FILTER		NR	2
5	C0020.03.07	MALE CAP	1" M	NR	1
6	C0020.06.07	BOND WASHER 1"	1"	NR	3
7	C0020.06.06	BOND WASHER 3/4"; RONDELLA BOND 11/4	3/4"	NR	3
8	C1635.00.01	OIL LEVEL EXTENSION 3/4	3/4"	NR	1
9	C0020.29.06	CORK		NR	1
10	C0020.01.06	NIPLES	3/4" MM	NR	1
10a	C0020.02.09	REDUCTION NIPPLES M-M 3/4-1/2	1/2" - 3/4" MM...	NR	1
11	C7250.01.91	THANK COVERING		NR	1
12	C7250.01.92	THANK COVERING		NR	1
13	C0190.33.02	FLANGED TE SCREW 8X20 ZN	M8x20	NR	2
14	C0189.00.03	M8 THREADED INSERT	M8	NR	2
15	C0190.23.03	T.E. SCREW M8X25	M8x25	NR	2
16	C2001.01.00	COPPER WASHER M8	M8	NR	2
17	C2000.01.01	WASHER	M6x24	NR	8
18	C2020	NUT	M6	NR	8
19	C7220.10.49	HYDRAULIC HOSE		NR	1
20	C7220.10.72	HYDRAULIC HOSE		NR	1
21	C0020.02.12	REDUCTION NIPPLES	3/4" - 5/8" MM...	NR	1
22	C0020.02.13	REDUCTION NIPPLES	5/8" - 1/2" MM...	NR	1
23	C0020.06.04	BOND WASHER 1/2	1/2"	NR	2



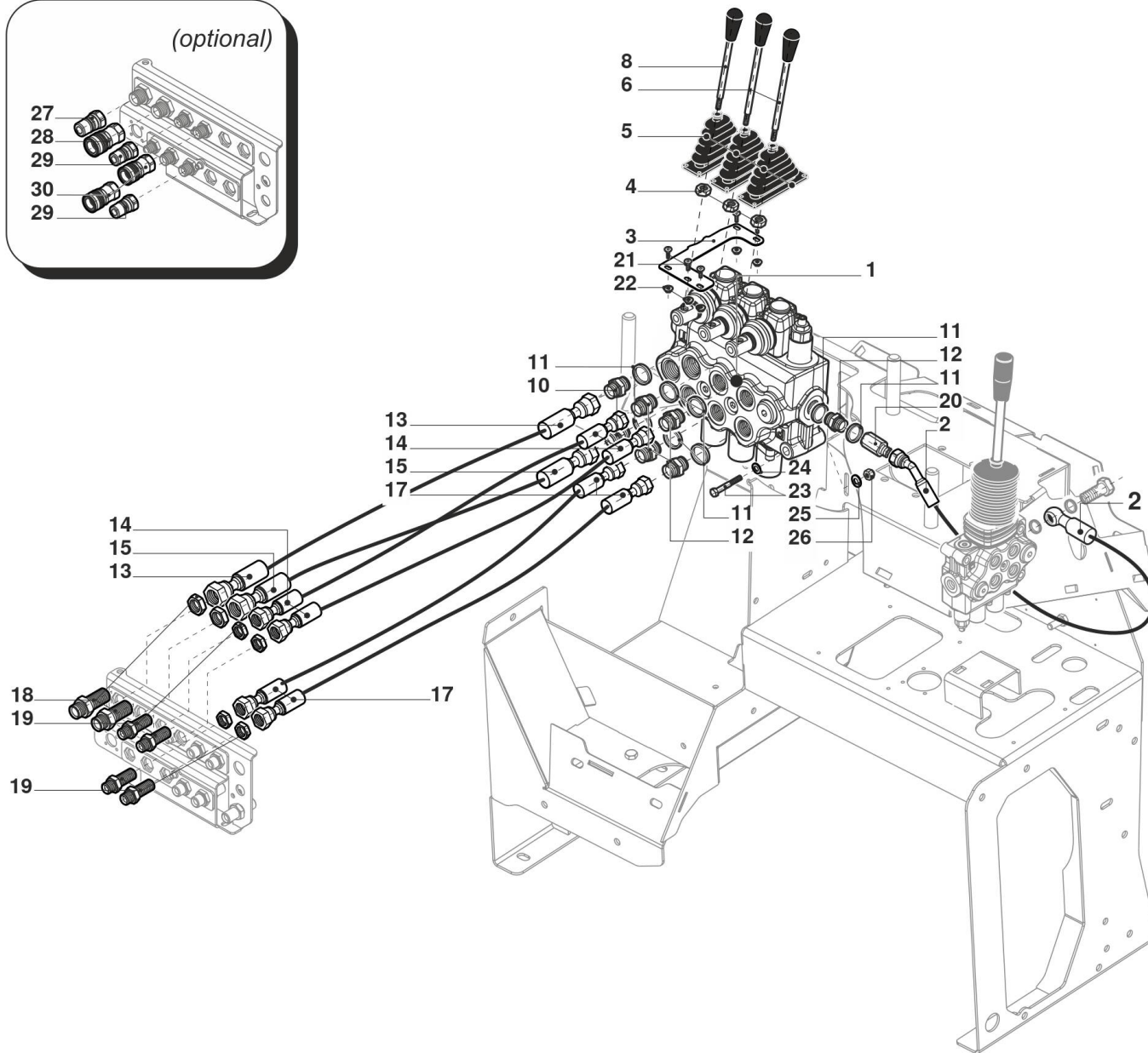
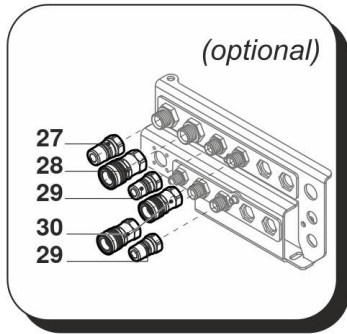
#	Code	Description	Specification	UM	Qty
1	C7250.01.01	OIL TANK		NR	1
2	C9050.01.02	HYD OIL FILTER		NR	1
2a	C9050.04.00	HYD OIL FILTER		NR	1
3	C1097.00.01	INDICATOR		NR	1
4	C1650.01.23	CMF IMMERSION FILTER		NR	1
5	C0020.03.07	MALE CAP	1" M	NR	1
6	C0020.06.07	BOND WASHER 1"	1"	NR	3
7	C0020.06.06	BOND WASHER 3/4"; RONDELLA BOND 11/4	3/4"	NR	3
8	C1635.00.01	OIL LEVEL EXTENSION 3/4	3/4"	NR	1
9	C0020.29.06	CORK		NR	1
10	C0020.01.06	NIPLES	3/4" MM	NR	1
10a	C0020.02.09	REDUCTION NIPPLES M-M 3/4-1/2	1/2" - 3/4" MM...	NR	1
11	C7250.01.91	THANK COVERING		NR	1
12	C7250.01.92	THANK COVERING		NR	1
13	C0190.33.02	FLANGED TE SCREW 8X20 ZN	M8x20	NR	2
14	C0189.00.03	M8 THREADED INSERT	M8	NR	2
15	C0190.23.03	T.E. SCREW M8X25	M8x25	NR	2
16	C2001.01.00	COPPER WASHER M8	M8	NR	2
17	C2000.01.01	WASHER	M6x24	NR	8
18	C2020	NUT	M6	NR	8
19	C7220.10.48	HYDRAULIC HOSE	40,5	NR	1
20	C7220.10.73	HYDRAULIC HOSE	34	NR	1
21	C1650.01.25	NEW TYPE CMF IMMERSION FILTER	1" - M3/4"	NR	1
22	C0020.02.13	REDUCTION NIPPLES	5/8" - 1/2" MM...	NR	1
23	C0020.06.04	BOND WASHER 1/2	1/2"	NR	1
24	C0020.16.06	HYDRAULIC EXTENSION ADAPTOR M/F	3/4	NR	1

(Spec 1-2)



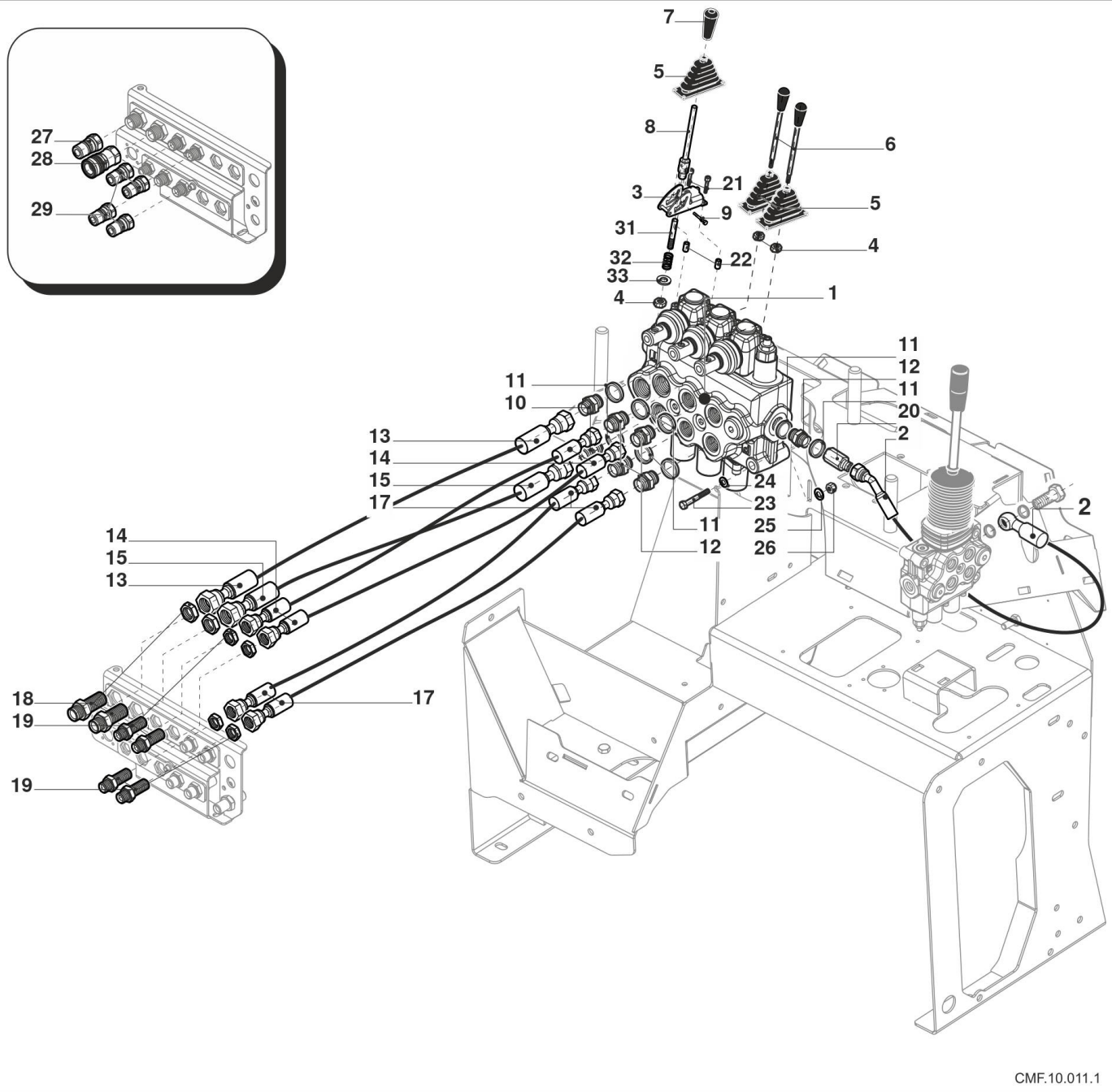
CRD.10.009.0

#	Code	Description	Specification	UM	Qty
1	C7220.02.22	PUMP 11 11 SERVO-CONTROLLED C11		NR	1
2	C0020.07.02	DRILLED BOLT	1/4"	NR	1
3	C0020.06.02	BOND WASHER 1/4	1/4"	NR	5
4	C7220.10.66	HYDRAULIC HOSE	Occhio 1/4" - Occhio 1...	NR	1
5	C0020.08.02	DOUBLE 1/4 SCREW	1/4"	NR	1
6	C7220.10.60	HYDRAULIC HOSE	Occhio 1/2" - Occhio 1...	NR	1
7	C0020.06.04	BOND WASHER 1/2	1/2"	NR	4
8	C0020.07.04	DRILLED BOLT	1/2"	NR	2
9	C0190.34.04	LIVES	M10x30	NR	2
10	C7220.01.02	HYDRAULIC PUMP 8 CC		NR	1
10	C7220.01.23	CMF 9.3 GLM SERVICE PUMP	Only For USA / Solo pe...	NR	1
11	C2002	WASHER	M10	NR	2
12	C0190.04.03	SCREW T.C.E.I.	M10x25	NR	2
13	C7220.10.93	PIPE STOPPING BRACKET		NR	1



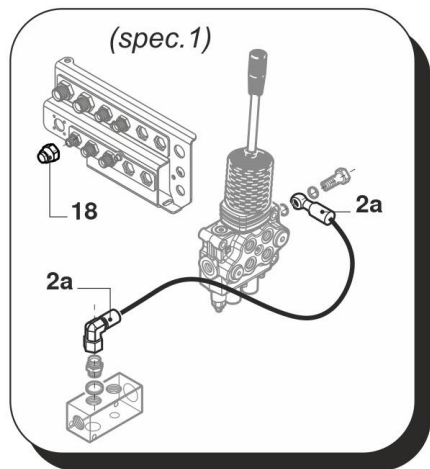
CMF.10.011.0

#	Code	Description	Specification	UM	Qty
1	C7220.04.01	CMF 3L SP2 DISPENSER		NR	1
2	C7220.10.33	HYDRAULIC HOSE		NR	1
3	C7270.07.03	LEVER BLOCK		NR	1
4	C2032	NUT	M10	NR	3
5	C1120.00.02	BELLOWS	Ø10	NR	3
6	C4220.02.29	AUCTION		NR	2
8	C4220.02.10	AUCTION		NR	1
10	C0020.02.06	REDUCTION NIPPLES M-M 3/8-1/2	1/2" - 3/8" MM...	NR	2
11	C0020.06.03	BOND WASHER 3/8	3/8"	NR	6
12	C0020.01.03	NIPPLES 3/8 GAS	3/8" MM	NR	4
13	C7220.10.55	HYDRAULIC HOSE		NR	1
14	C7220.10.51	HYDRAULIC HOSE		NR	2
15	C7220.10.56	HYDRAULIC HOSE		NR	1
17	C7220.10.52	HYDRAULIC HOSE		NR	2
18	C0020.15.04	BULKHEAD NIPLES 1/2	1/2"	NR	2
19	C0020.15.03	BULKHEAD NIPLES 3/8	3/8"	NR	4
20	C0020.16.13	FITTING	3/8"	NR	1
21	C0190.12.02	SCREW TSPEI 6X18	M6x16	NR	5
22	C2030.01.00	NUT	M6	NR	5
23	C0190.22.11	T.E. SCREW	M6x60	NR	3
24	C0192.01.61	WASHER	M6x18	NR	3
25	C2000.01.01	WASHER	M6x24	NR	3
26	C2020	NUT	M6	NR	3
27	C1117.01.05	FITTING	M-FIRG 1/2 BSP	NR	1
28	C1117.01.04	FITTING	F-FIRG 1/2 BSP	NR	1
29	C1117.01.03	FITTING	M-FIRG 3/8 BSP	NR	2
30	C1117.01.02	FITTING	F-FIRG 3/8 BSP	NR	2

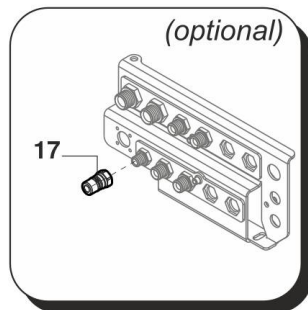
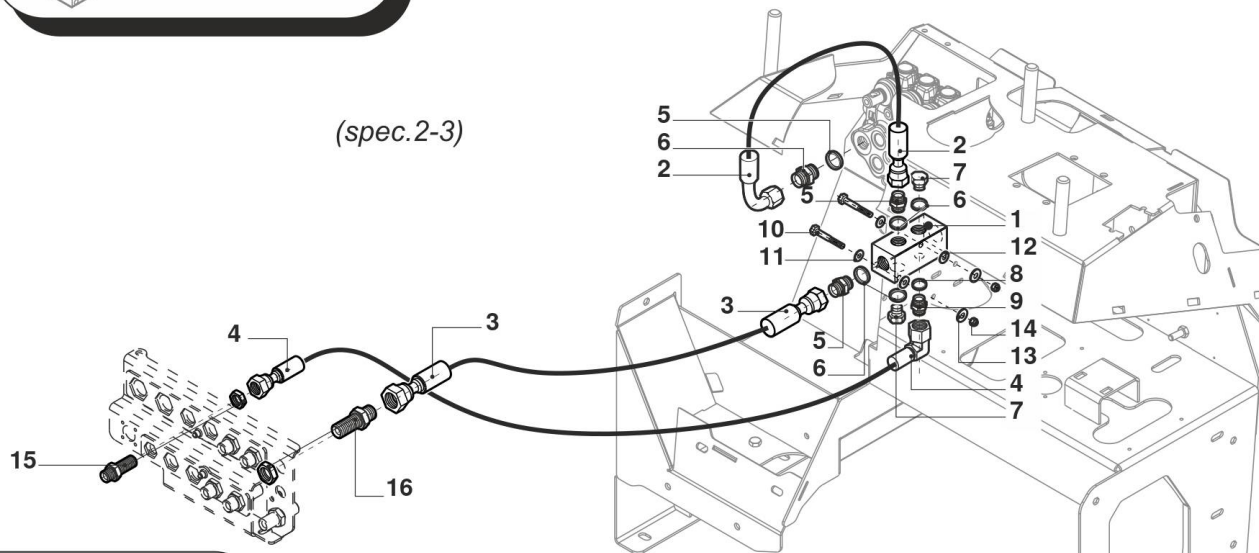


CMF.10.011.1

#	Code	Description	Specification	UM	Qty
1	C7220.04.01	CMF 3L SP2 DISPENSER		NR	1
2	C7220.10.33	HYDRAULIC HOSE		NR	1
3	C7220.04.91	LEVER BLOCK SUPPORT		NR	1
4	C2032	NUT	M10	NR	3
5	C1120.00.02	BELLOWS	Ø10	NR	3
6	C4220.02.29	AUCTION		NR	2
7	C4220.02.90	KNOB		NR	1
8	C7220.04.98	CMF SPEC 2 LONG LEVER W/BLOCK		NR	1
9	C7220.04.97	LOCKING PIN		NR	1
10	C0020.02.06	REDUCTION NIPPLES M-M 3/8-1/2	1/2" - 3/8" MM...	NR	2
11	C0020.06.03	BOND WASHER 3/8	3/8"	NR	6
12	C0020.01.03	NIPPLES 3/8 GAS	3/8" MM	NR	4
13	C7220.10.55	HYDRAULIC HOSE		NR	1
14	C7220.10.51	HYDRAULIC HOSE		NR	2
15	C7220.10.56	HYDRAULIC HOSE		NR	1
17	C7220.10.52	HYDRAULIC HOSE		NR	2
18	C0020.15.04	BULKHEAD NIPLES 1/2	1/2"	NR	2
19	C0020.15.03	BULKHEAD NIPLES 3/8	3/8"	NR	4
20	C0020.16.13	FITTING	3/8"	NR	1
21	C0190.01.12	SCREW T.C.E.I.	M5x60	NR	2
22	C7220.04.99	LEVER BLOCK SPACER		NR	1
23	C0190.22.11	T.E. SCREW	M6x60	NR	3
24	C0192.01.61	WASHER	M6x18	NR	3
25	C2000.01.01	WASHER	M6x24	NR	3
26	C2020	NUT	M6	NR	3
27	C1117.01.05	FITTING	M-FIRG 1/2 BSP	NR	1
28	C1117.01.04	FITTING	F-FIRG 1/2 BSP	NR	1
29	C1117.01.03	FITTING	M-FIRG 3/8 BSP	NR	4
31	C7220.04.95	PRISONER KB		NR	1
32	C3000.27.06	SPRING D.18X1.5		NR	1
33	C2002	WASHER	M10	NR	1

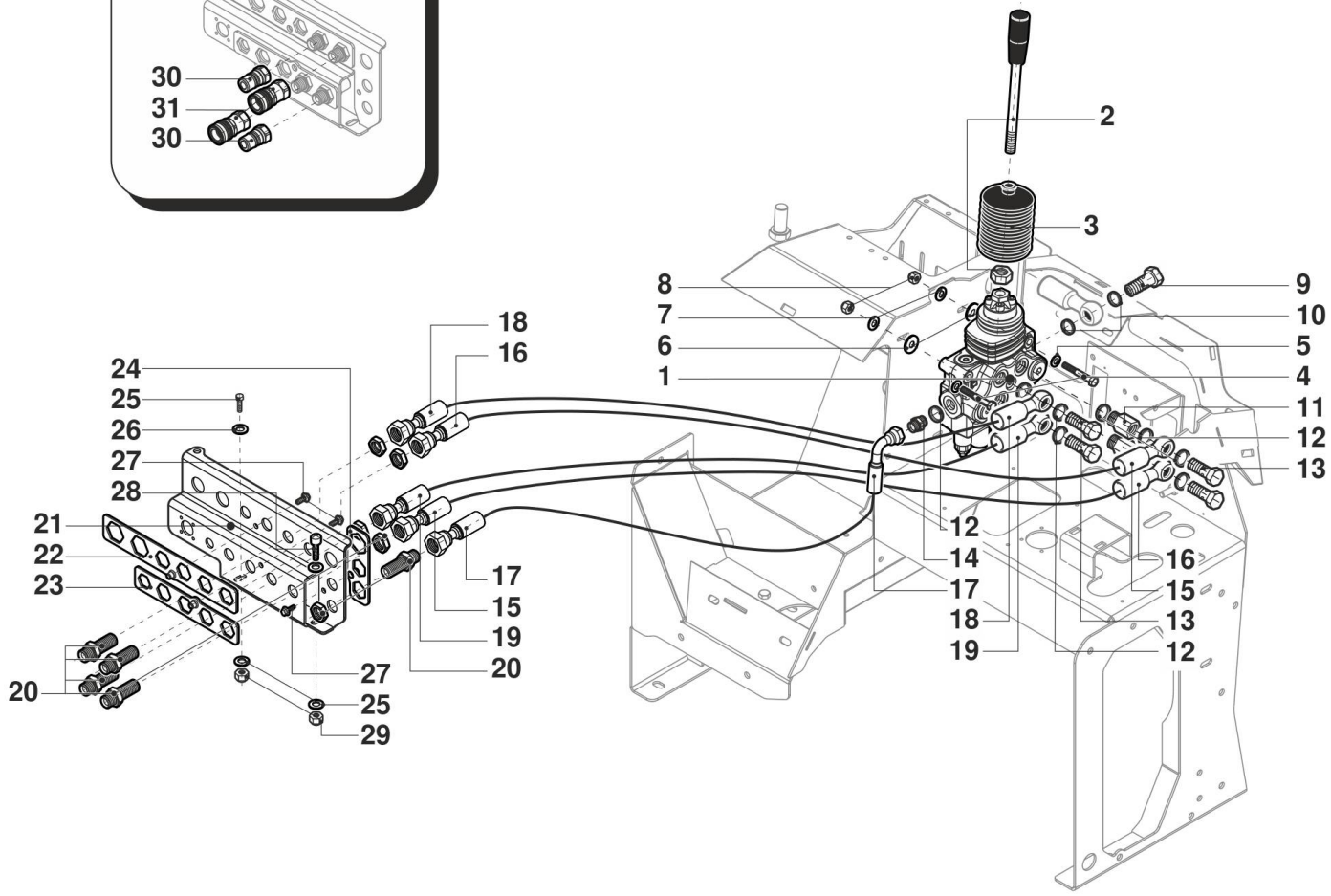
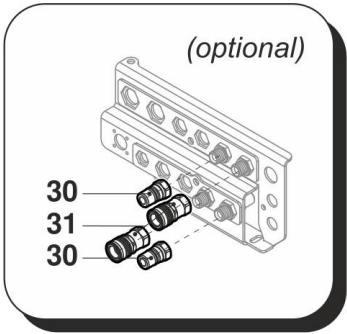


(spec.2-3)



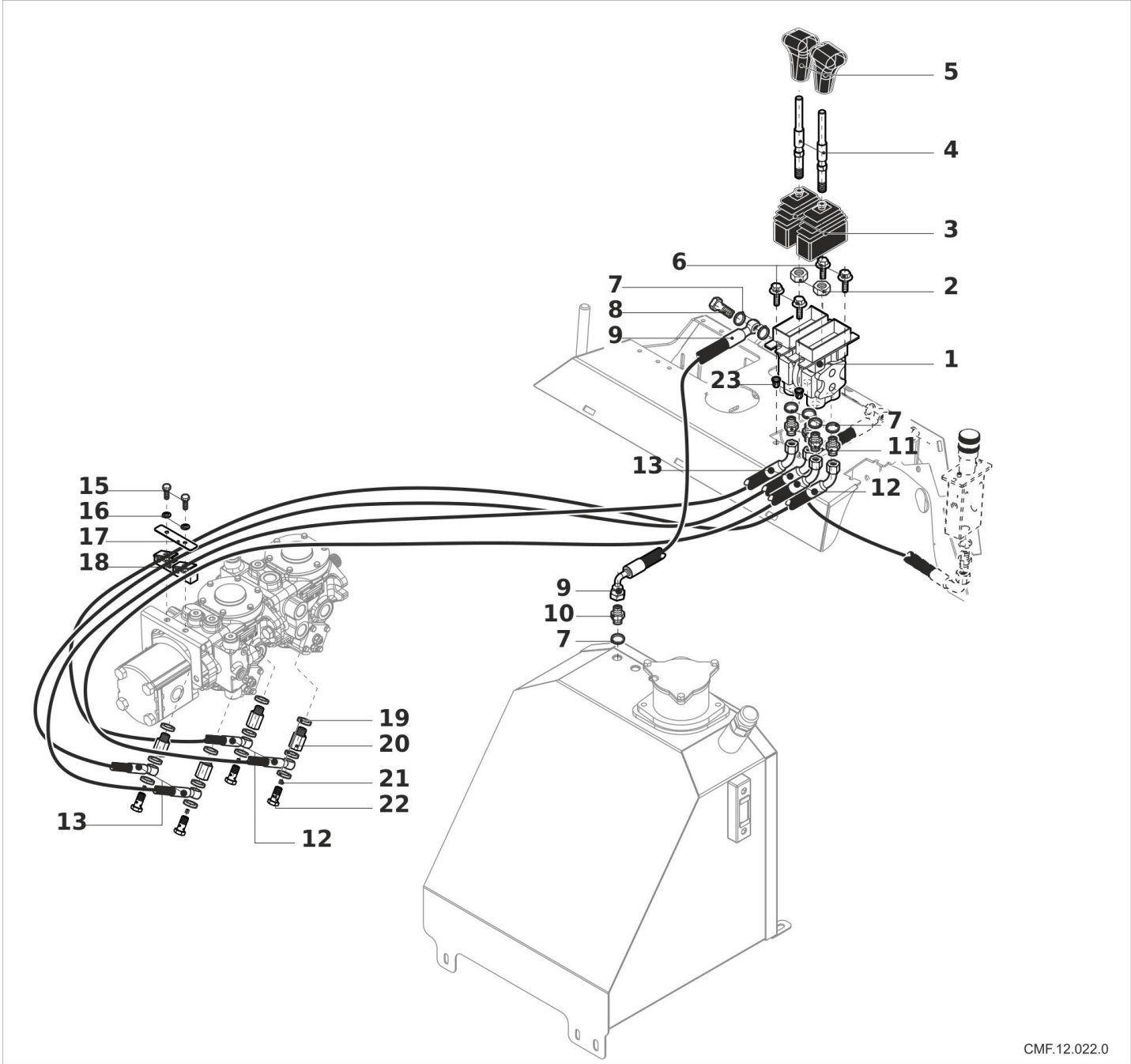
CMF.10.016.0

#	Code	Description	Specification	UM	Qty
1	C7220.09.01	DRAINAGE BLOCK		NR	1
2	C7220.10.34	HYDRAULIC HOSE		NR	1
2a	C7220.10.32	HYDRAULIC HOSE		NR	1
3	C7220.10.36	HYDRAULIC HOSE		NR	1
4	C7220.10.39	HYDRAULIC HOSE	FD 1/4" - F90°K 1/4"...	NR	1
5	C0020.01.04	NIPPLES 1/2	1/2" MM	NR	3
6	C0020.06.04	BOND WASHER 1/2	1/2"	NR	5
7	C0020.03.04	CAP 1/2 M	1/2" M	NR	2
8	C0020.06.02	BOND WASHER 1/4	1/4"	NR	1
9	C0020.01.02	NIPPLES 1/4 GAS	1/4" MM	NR	1
10	C0190.22.11	T.E. SCREW	M6x60	NR	2
11	C0192.01.06	WASHER	M6	NR	2
12	C0192.01.61	WASHER	M6x18	NR	2
13	C2000.01.01	WASHER	M6x24	NR	2
14	C2020	NUT	M6	NR	2
15	C0020.15.02	BULKHEAD NIPLES 1/4	1/4"	NR	1
16	C0020.15.04	BULKHEAD NIPLES 1/2	1/2"	NR	1
17	C1117	FITTING	F-BIR 1/4 BSP	NR	1
18	C0020.04.02	CAP F1/4	1/4" F	NR	1



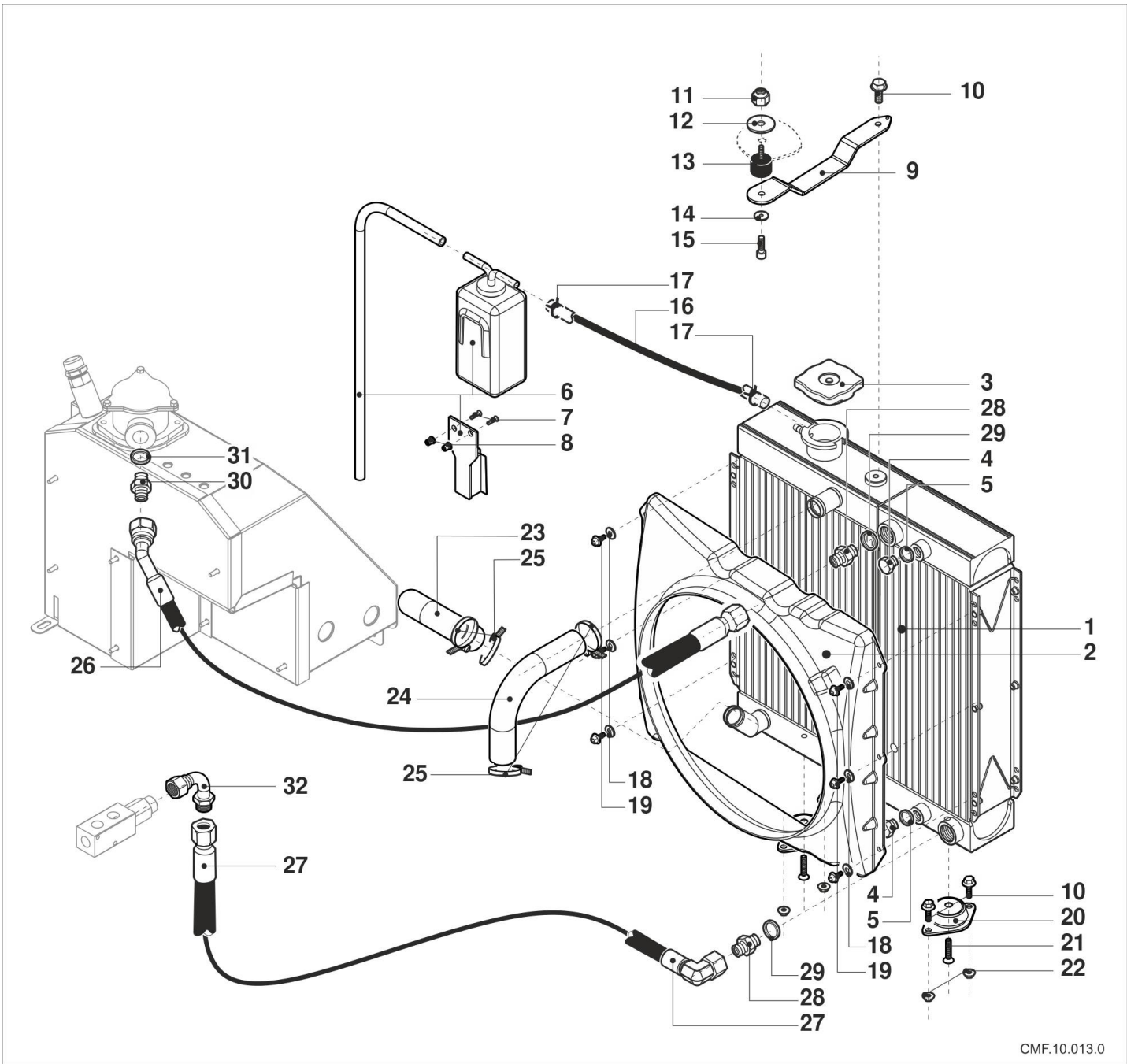
CMF.10.012.0

#	Code	Description	Specification	UM	Qty
1	C7220.05.01	CMF SPEC DISTRIBUTOR 1		NR	1
2	C4220.02.27	LEVER ROD M 12X200		NR	1
3	C1120.01.00	BELLOWS		NR	1
4	C0190.22.12	T.E. SCREW M6X80	M6X65	NR	3
5	C0192.01.06	WASHER	M6	NR	3
6	C2007.01.00	WASHER M8X32X2.5	M8x32x2,5	NR	2
7	C2000.01.01	WASHER	M6x24	NR	3
8	C2020	NUT	M6	NR	3
9	C0020.07.04	DRILLED BOLT	1/2"	NR	1
10	C0020.06.04	BOND WASHER 1/2	1/2"	NR	2
11	C0020.16.13	FITTING	3/8"	NR	2
12	C0020.06.03	BOND WASHER 3/8	3/8"	NR	11
13	C0020.07.03	DRILLED BOLT	3/8"	NR	4
14	C0020.01.03	NIPPLES 3/8 GAS	3/8" MM	NR	1
15	C7220.10.63	HYDRAULIC HOSE	F0° 3/8" - Occhio 3/8"...	NR	1
16	C7220.10.64	HYDRAULIC HOSE	F0° 3/8" - Occhio 3/8"...	NR	1
17	C7220.10.65	HYDRAULIC HOSE	F0° 3/8" - F90° 3/8"...	NR	1
18	C7220.10.61	HYDRAULIC HOSE		NR	1
19	C7220.10.62	HYDRAULIC HOSE	F0° 3/8" - Occhio 3/8"...	NR	1
20	C0020.15.03	BULKHEAD NIPLES 3/8	3/8"	NR	5
21	C7220.14.11	GRAFT SUPPORT		NR	1
22	C7220.14.13	LONG CLUTCH STOP		NR	1
23	C7220.14.12	MEDIUM CLUTCH STOP		NR	1
24	C7220.14.14	SHORT CLUTCH STOP		NR	1
25	C0190.23.03	T.E. SCREW M8X25	M8x25	NR	1
26	C2001	WASHER	M8	NR	4
27	C2087	FLANGED SCREW 6X16	M6x16	NR	3
28	C2088.01.00	LIVES	M8x25	NR	1
29	C2021	NUT	M8	NR	2
30	C1117.01.03	FITTING	M-FIRG 3/8 BSP	NR	2
31	C1117.01.02	FITTING	F-FIRG 3/8 BSP	NR	2



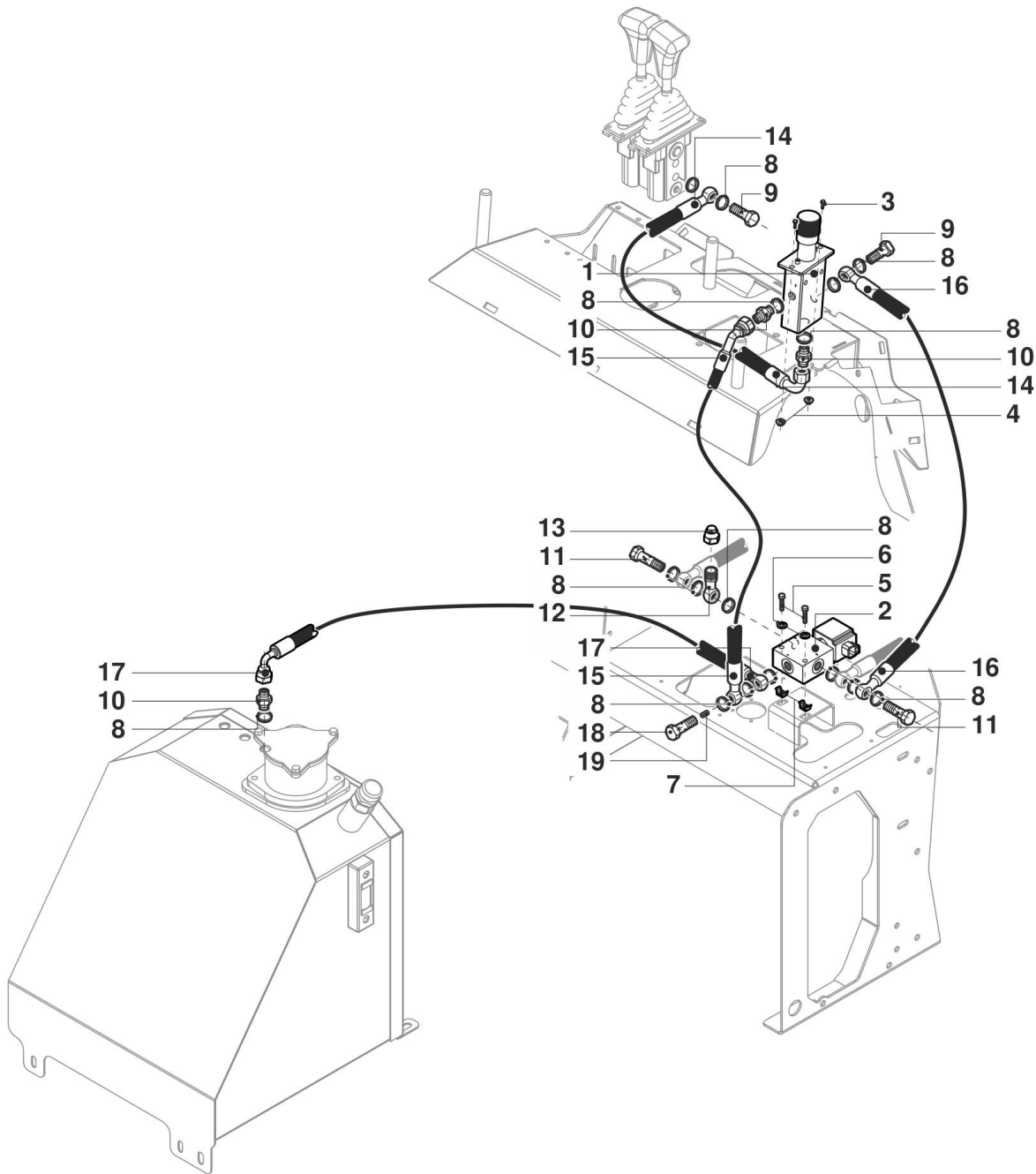
CMF.12.022.0

#	Code	Description	Specification	UM	Qty
1	C1116.01.12	BLOCK VALVE		NR	1
2	C0191.01.92	LOW NUT M12 FINE P.	M12	NR	2
3	C1120.00.13	BELLOWS	Servocomando Walvoil	NR	2
4	C1116.02.22	LEVER		NR	2
5	C1053.10.02	KNOB	Ø10	NR	2
6	C2064	LIVES	M6x20	NR	4
7	C0020.06.02	BOND WASHER 1/4	1/4"	NR	7
8	C0020.07.02	DRILLED BOLT	1/4"	NR	1
9	C7220.10.38	HYDRAULIC HOSE		NR	1
10	C0020.01.02	NIPPLES 1/4 GAS	1/4" MM	NR	1
11	C0020.02.01	NIPPLES 1/8*1/4	1/8"-1/4" MM	NR	4
12	C7220.10.46	HYDRAULIC HOSE	L=157	NR	2
13	C7220.10.47	HYDRAULIC HOSE	L=137	NR	2
15	C0190.22.05	T.E. SCREW	M6x30	NR	2
16	C2000	WASHER	Ø6	NR	2
17	C7220.10.94	REINFORCEMENT OF PIPE STOPPING BRACKET		NR	1
18	C0022.21.12	DOUBLE LOWER HOSE STOP D.1		NR	2
19	C0020.06.01	BOND WASHER 1/8	1/8"	NR	4
20	C0020.17.01	MF 1/8 COLUMN		NR	4
21	C0020.37.22	RESTRICTOR	Ø 1,5-M6x6	NR	4
22	C0020.07.21	M6 THREADED DRILLED BOLT	1/8"-M6	NR	4
23	C0189.01.02	INSERT	M6	NR	4



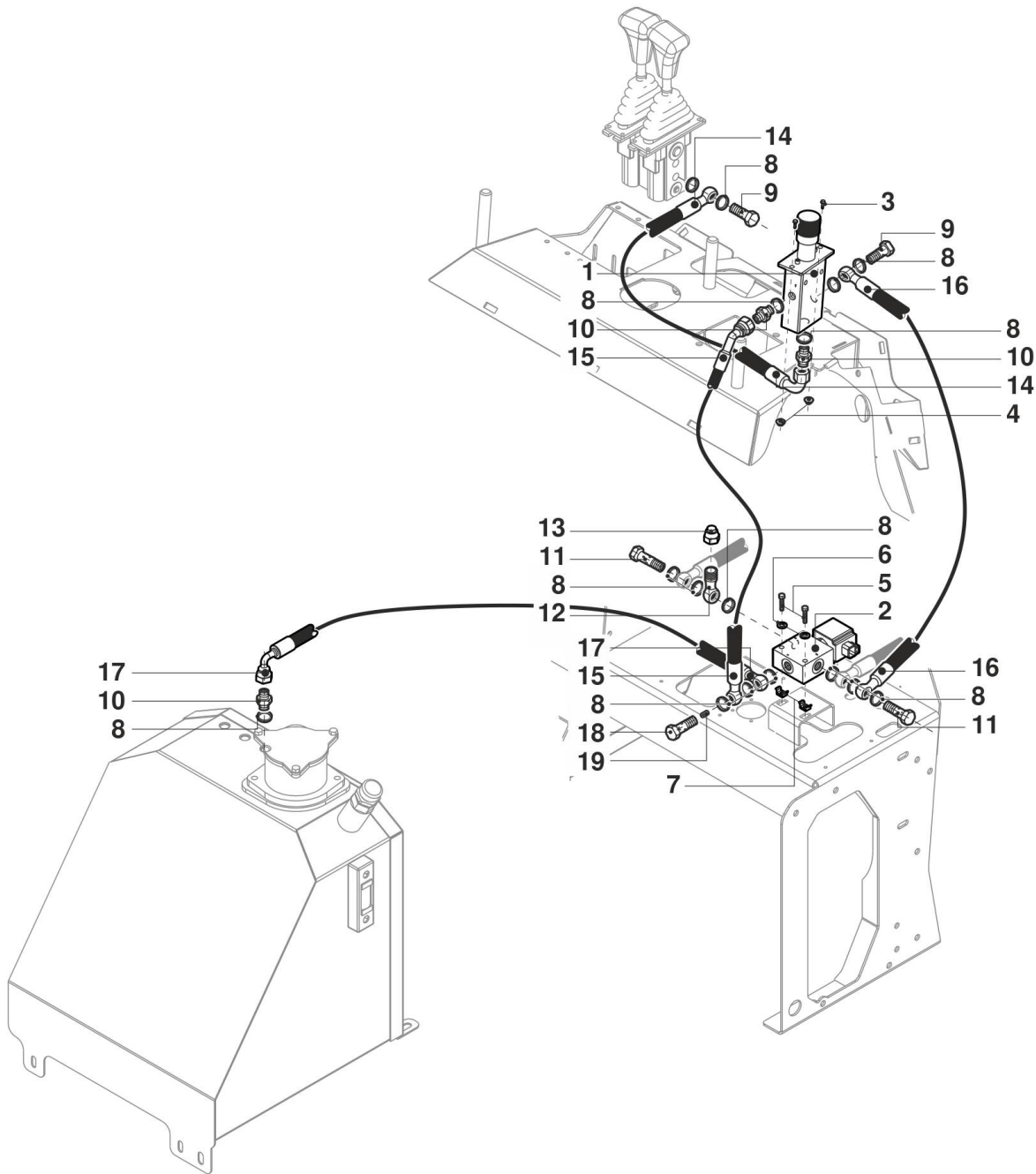
CMF.10.013.0

#	Code	Description	Specification	UM	Qty
1	C7210.04.01	CMF KUBOTA RADIATOR		NR	1
2	C7210.13.01	CONVEYOR C1300-C1600	Kubota D1xx5	NR	1
3	C1127.23.02	CORK		NR	1
4	C0020.03.03	CAP M3/8	3/8" M	NR	2
5	C0020.06.03	BOND WASHER 3/8	3/8"	NR	2
6	C7210.11.02	EXPANSION TANK		NR	1
7	C0190.12.03	FLAT HEAD SOCKET CAP SCREW	M6x20	NR	2
8	C2063	INSERT	M6	NR	2
9	C7210.04.10	SHAPED RADIATOR BRACKET		NR	1
10	C0190.33.02	FLANGED TE SCREW 8X20 ZN	M8x20	NR	5
11	C2021	NUT	M8	NR	1
12	C2012.00.10	THICKENED WASHER D.10	M10	NR	2
13	C0095.01.00	ANTI-VIBRATION		NR	1
14	C2001	WASHER	M8	NR	1
15	C0190.03.03	SCREW T.C.E.I.	M8x16	NR	1
16	C7210.11.81	TUBE		NR	1
17	C0030.02.02	SPRING HOSE CLAMP	13.6-14.4	NR	2
18	C0192.03.06	WASHER	M6	NR	6
19	C2063.11.02	LIVES	M6x20	NR	6
20	C0095.00.13	ANTI-VIBRATION	45 shore	NR	2
21	C2015.05.00	FLAT HEAD SOCKET CAP SCREW	M8x40	NR	2
22	C2092	NUT	M8	NR	4
23	C0096.20.22	SLEEVE		NR	1
24	C0096.20.21	SLEEVE		NR	1
25	C1127.31.02	CABLE TIE	25-40	NR	4
26	C7220.10.71	RETURN HOSE TO THE TANK		NR	1
27	C7220.10.70	HYDRAULIC HOSE		NR	1
28	C0020.01.06	NIPLES	3/4" MM	NR	3
29	C0020.06.06	BOND WASHER 3/4	3/4"	NR	3
30	C0020.02.09	REDUCTION NIPPLES M-M 3/4-1/2	1/2" - 3/4" MM...	NR	1
31	C0020.06.04	BOND WASHER 1/2	1/2"	NR	1
32	C0020.14.06	ADAPTER 90° M3/4-FGIR3/4	3/4" MF	NR	1



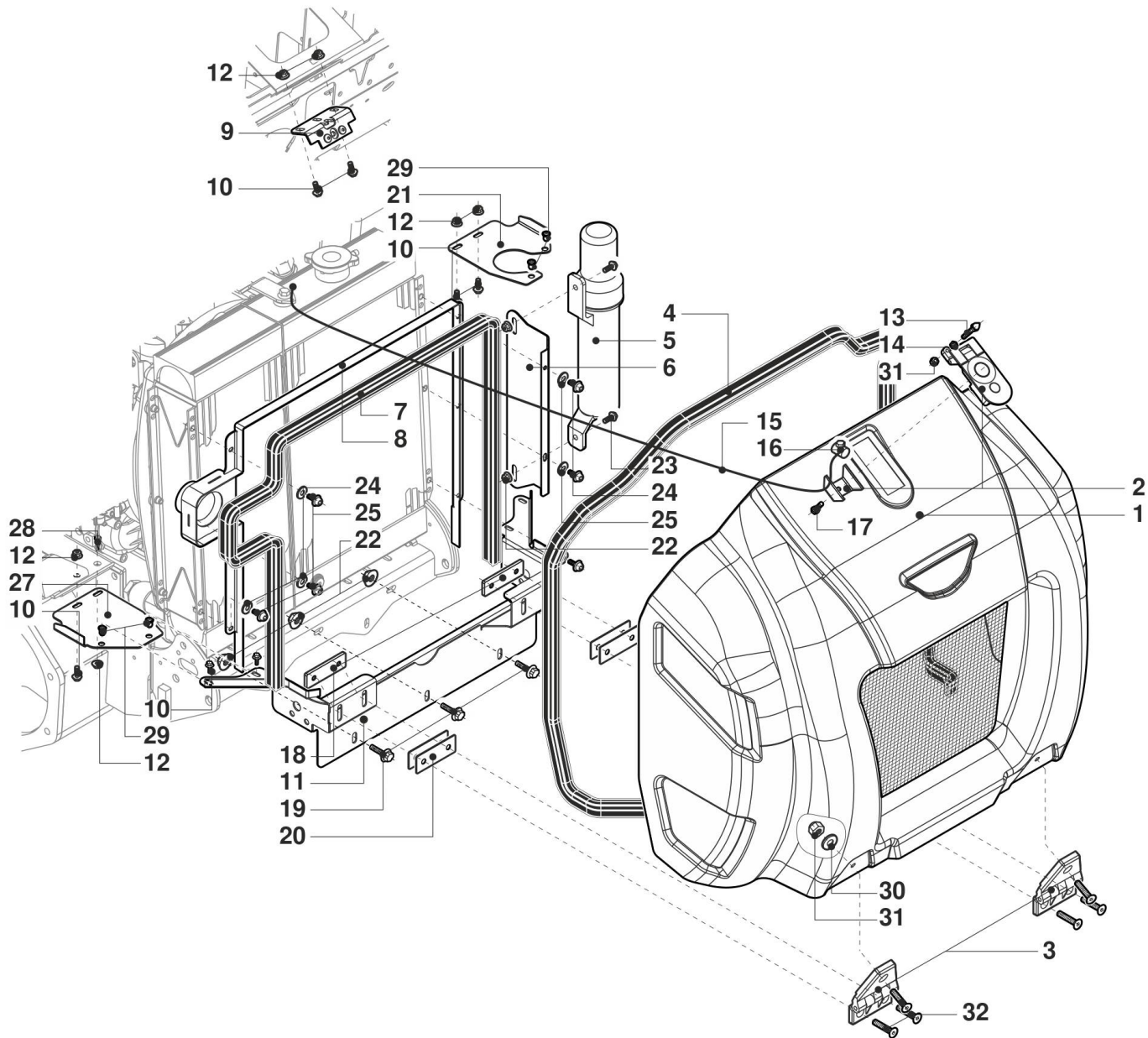
CMF.10.014.0

#	Code	Description	Specification	UM	Qty
1	C7220.08.02	POWER REDUCER		NR	1
1	C7220.08.02.K1	KNOB	Walvoil	NR	1
2	C7220.13.02	ELECTRIC BRAKE VALVE EJ08M/		NR	1
3	C0190.32.03	LIVES	M6x20	NR	2
4	C2030.01.00	NUT	M6	NR	2
5	C0190.22.08	T.E. PIN 6X45	M6x45	NR	2
6	C0192.01.06	WASHER	M6	NR	2
7	C0191.01.53	M6 CAGE NUT	M6-3,5	NR	2
8	C0020.06.02	BOND WASHER 1/4	1/4"	NR	13
9	C0020.07.02	DRILLED BOLT	1/4"	NR	1
10	C0020.01.02	NIPPLES 1/4 GAS	1/4" MM	NR	3
11	C0020.08.02	DOUBLE 1/4 SCREW	1/4"	NR	2
12	C0020.38.22	OCCHIO 1/4" FILETTATO 1/4"		NR	1
13	C0020.04.02	CAP F1/4	1/4" F	NR	1
14	C7220.10.24	HYDRAULIC HOSE		NR	1
15	C7220.10.37	HYDRAULIC HOSE		NR	1
16	C7220.10.23	HYDRAULIC HOSE		NR	1
17	C7220.10.38	HYDRAULIC HOSE		NR	1
18	C0020.08.22	DOUBLE BANJO BOLT FOR OIL RESTRICTOR	1/4"-M8	NR	1
19	C0020.37.23	OIL RESTRICTOR	Ø1,0-M8x8	NR	1



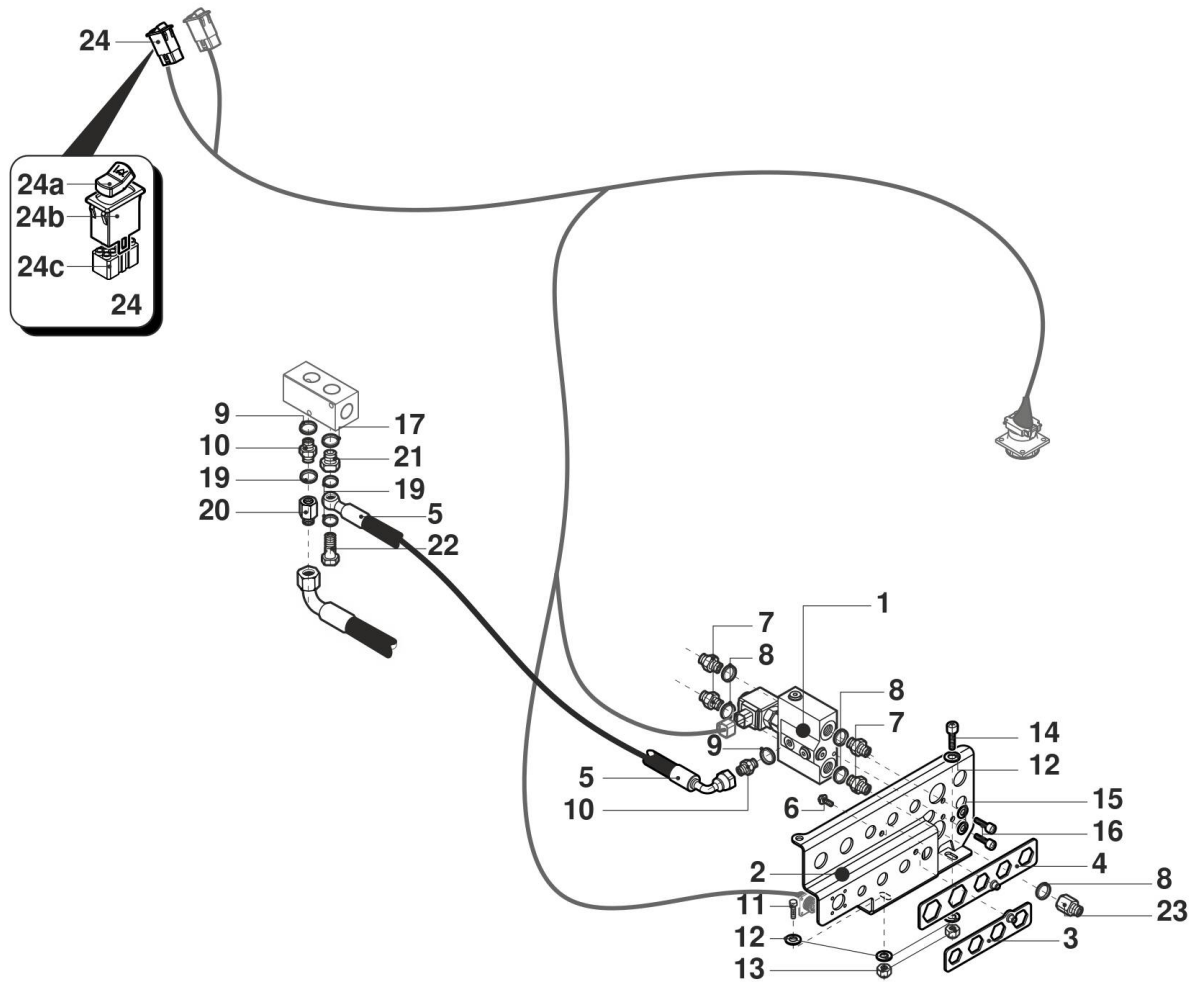
CMF.10.014.0

#	Code	Description	Specification	UM	Qty
1	C7220.08.02-A	POWER REDUCER	HP	NR	1
1	C7220.08.02.K2	KNOB	HP	NR	1
2	C7220.13.02	ELECTRIC BRAKE VALVE EJ08M/		NR	1
3	C0190.32.03	LIVES	M6x20	NR	2
4	C2030.01.00	NUT	M6	NR	2
5	C0190.22.08	T.E. PIN 6X45	M6x45	NR	2
6	C0192.01.06	WASHER	M6	NR	2
7	C0191.01.53	M6 CAGE NUT	M6-3,5	NR	2
8	C0020.06.02	BOND WASHER 1/4	1/4"	NR	13
9	C0020.07.02	DRILLED BOLT	1/4"	NR	1
10	C0020.01.02	NIPPLES 1/4 GAS	1/4" MM	NR	3
11	C0020.08.02	DOUBLE 1/4 SCREW	1/4"	NR	2
12	C0020.38.22	OCCHIO 1/4" FILETTATO 1/4"		NR	1
13	C0020.04.02	CAP F1/4	1/4" F	NR	1
14	C7220.10.24	HYDRAULIC HOSE		NR	1
15	C7220.10.37	HYDRAULIC HOSE		NR	1
16	C7220.10.23	HYDRAULIC HOSE		NR	1
17	C7220.10.38	HYDRAULIC HOSE		NR	1
18	C0020.08.22	DOUBLE BANJO BOLT FOR OIL RESTRICTOR	1/4"-M8	NR	1
19	C0020.37.23	OIL RESTRICTOR	Ø1,0-M8x8	NR	1



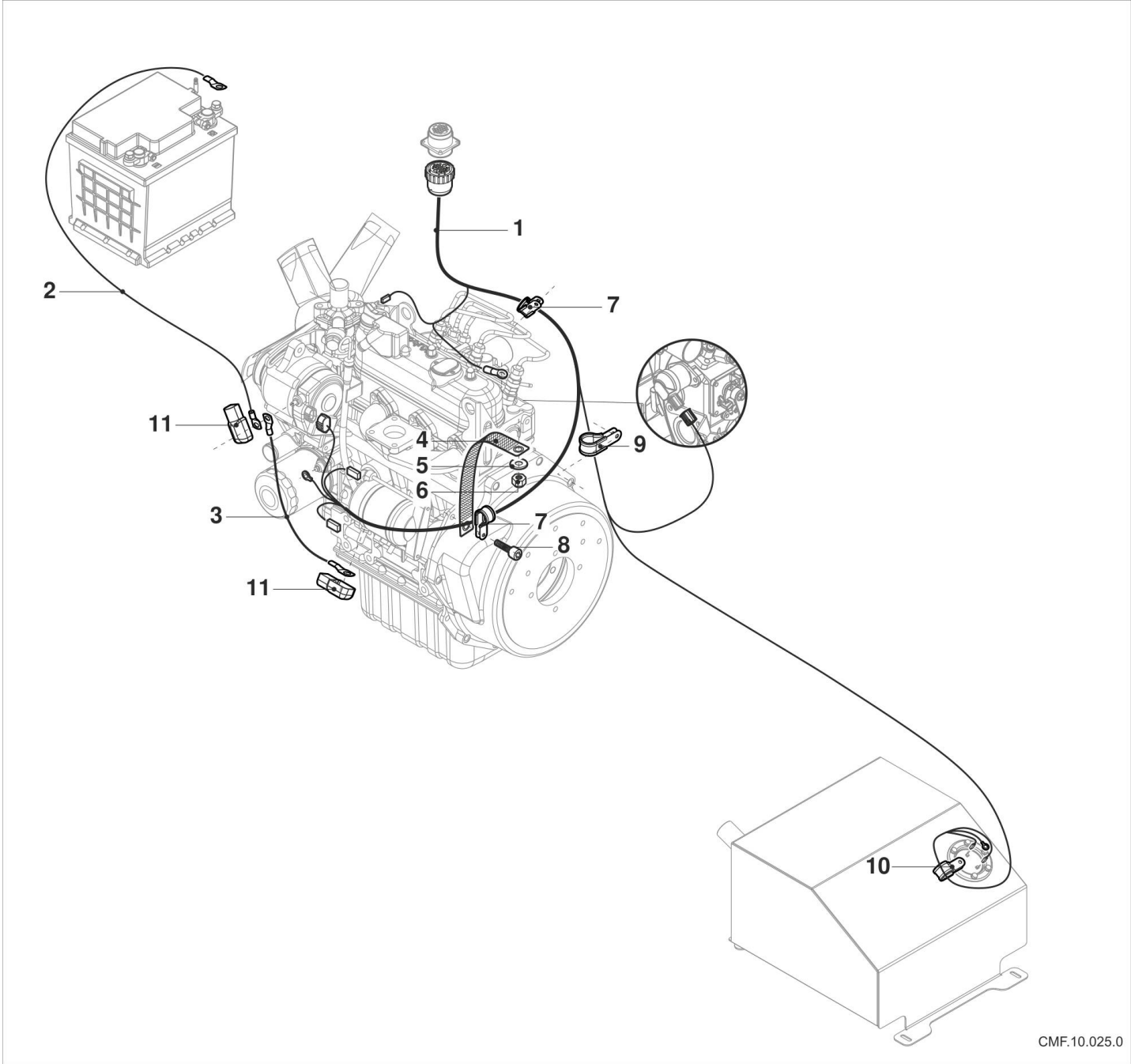
CMF.10.015.1

#	Code	Description	Specification	UM	Qty
1	C7260.06.01	BONNET	CPT	NR	1
1a	C7260.06.00	BONNET		NR	1
2	C3060.08.15	DOOR LOCK	Senza Chiavi	NR	1
3	C3060.08.06	HINGE		NR	2
4	C0096.81.04	GASKET		NR	1
5	C0060.02.00	DOCUMENT HOLDER	Ø55	NR	1
6	C7260.05.08	DOCUMENT PLATE		NR	1
7	C0096.81.05	GASKET		NR	1
8	C7260.05.03	RADIATED SEAL SUPPORT		NR	1
9	C4260.03.04	LOCK STRIKER		NR	1
10	C0190.32.03	LIVES	M6x20	NR	9
11	C7260.05.02	REAR SEAL SUPPORT		NR	1
12	C2030.01.00	NUT	M6	NR	10
13	C3060.08.12	PIP		NR	1
14	C2030	NUT	M6	NR	1
15	C7260.06.20	BONNET CABLE L=800 MM		NR	1
16	C0300.10.11	TERMINAL	2,5 - 3 mm	NR	1
17	C2064.05.00	T.E. SCREW 6X20	M6x20	NR	1
18	C7260.06.06	THREADED HINGE PLATE		NR	2
19	C0190.33.02	FLANGED TE SCREW 8X20 ZN	M8x20	NR	3
20	C7260.06.16	HINGE ADJUSTMENT SPACER		NR	1
21	C7260.05.05	RH SUPPORT FOR BONNET SEAL		NR	1
22	C2092	NUT	M8	NR	7
23	C0190.33.01	LIVES	M8x16	NR	2
24	C2063.11.02	LIVES	M6x20	NR	6
25	C0192.01.06	WASHER	M6	NR	6
27	C7260.05.04	SX SUPPORT FOR BONNET SEAL		NR	1
28	C2064.02.00	FLANGED T.E. SCREW	M6x30	NR	1
29	C2063	INSERT	M6	NR	4
30	C2007.01.00	WASHER M8X32X2.5	M8x32x2,5	NR	2
31	C2021	NUT	M8	NR	2
32	C0190.03.04	SCREW T.C.E.I.	M8x30	NR	6



CRD.10.020.0

#	Code	Description	Specification	UM	Qty
1	C7220.16.04	CPT FLOATING VALVE		NR	1
2	C7220.14.21	FLOATING CLUTCH SUPPORT		NR	1
3	C7220.14.22	SHORT FLOATING CLUTCH STOP		NR	1
4	C7220.14.23	LONG FLOATING CLUTCH STOP		NR	1
5	C7220.10.91	HYDRAULIC HOSE FOR FLOATING		NR	1
6	C2087	FLANGED SCREW 6X16	M6x16	NR	2
7	C0020.01.03	NIPPLES 3/8 GAS	3/8" MM	NR	4
8	C0020.06.03	BOND WASHER 3/8	3/8"	NR	4
9	C0020.06.01	BOND WASHER 1/8	1/8"	NR	2
10	C0020.02.01	NIPPLES 1/8*1/4	1/8"-1/4" MM	NR	2
11	C0190.23.03	T.E. SCREW M8X25	M8x25	NR	1
12	C2001	WASHER	M8	NR	4
13	C2021	NUT	M8	NR	2
14	C2088.01.00	LIVES	M8x25	NR	1
15	C0192.01.06	WASHER	M6	NR	2
16	C2047	LIVES	M6x16	NR	2
17	C0020.06.04	BOND WASHER 1/2	1/2"	NR	2
18	C0020.01.02	NIPPLES 1/4 GAS	1/4" MM	NR	1
19	C0020.06.02	BOND WASHER 1/4	1/4"	NR	3
20	C0020.16.23	COLUMN 1/4	1/4"	NR	1
21	C0020.11.04	REDUCTION CAP M-F 1/2-1/4	1/2" - 1/4"	NR	1
22	C1193	FITTING	1/4"	NR	1
23	C0020.16.63	COLUMN	3/8"x25	NR	1
24	C1125.11.10	SWITCH		NR	1
24a	C1125.11.12	TILTING		NR	1
24b	C1125.11.11	ROCKER SWITCH		NR	1
24c	C1125.11.04	CONNECTOR		NR	1



CMF.10.025.0

#	Code	Description	Specification	UM	Qty
1	C7270.04.05	ELECTRICAL WIRING		NR	1
2	C7270.04.01	ALTERNATOR BATTERY CABLE		NR	1
3	C7270.04.07	ALTERNATOR MOTOR CABLE		NR	1
4	C1118.10.00	WIRE		NR	1
5	C2007	FLAT WASHER 6X24 ZN	M8x24	NR	1
6	C2021	NUT	M8	NR	1
7	C0030.03.16	CABLE TIE	Ø16	NR	2
8	C2088.01.00	LIVES	M8x25	NR	1
9	C0030.03.25	RUBBER HOSE CLAMP	Ø25	NR	1
10	C0030.03.12	RUBBER HOSE CLAMP	Ø12-8	NR	1
11	C0099.02.11	HOOD		NR	2

#	Code	Description	Specification	UM	Qty
1	C7270.04.04	ELECTRICAL WIRING		NR	1
1a	C0730.11.02	RELAIS		NR	1
2	C1121.02.00	BUZZER		NR	1
3	C4200.12.01	RELAY SUPPORT		NR	1
4	C1127.72.06	FUSE BOX HOLDER	6 vie	NR	1
5	C1127.71.06	FUSE	15A	NR	4
6	C7270.08.03	CMF DIGITAL DISPLAY		NR	1
7	C1127.73.02	STARTING PANEL		NR	1
7a	C1127.73.04	KEY		NR	1
8	C1127.48.02	CLACSON 12V	12V	NR	1
9	C1127.63.15	FUSE	50A MIDI	NR	1
10	C4070.06.00	FUSE HOLDER		NR	1
11	C1127.44.02	CLACSON BUTTON		NR	1
12	C1125.11.02	TILTING		NR	1
13	C1125.11.01	SWITCH		NR	2
14	C7270.04.03	FUSE-BATTERY CABLE		NR	1
15	C7270.04.02	BATTERY SWITCH CABLE		NR	1
16	C6070.01.00	BATTERY DISCONNECTOR		NR	1
17	C1196.04.00	GROUND CABLE	Nero	NR	1
18	C1118.02.00	DRUMS	55Ah	NR	1
19	C1640.05.00	SUPPORT		NR	2
20	C0190.32.03	LIVES	M6x20	NR	2
21	C0099.04.11	CABLE GROMMET		NR	2
22	C0190.00.01	SCREW T.C.E.I.	M4x16	NR	6
23	C0192.01.04	WASHER	M4	NR	8
24	C0191.01.21	SELF-BLOCKING DICE	M4	NR	6
25	C0192.01.24	WASHER	M4	NR	2
26	C1126.19.00	CLAMP		NR	1
27	C0099.02.01	HOOD		NR	1
28	C1126.20.00	CLAMP		NR	1
29	C0099.02.02	BLACK HOOD		NR	1
30	C2030.01.00	NUT	M6	NR	2
31	C2092	NUT	M8	NR	2
32	C2001	WASHER	M8	NR	1
33	C2021	NUT	M8	NR	1
34	C0189.01.02	INSERT	M6	NR	2
35	C0730.31.01	TIMER		NR	1