



# Concrete Grinder CG-2050



**OPERATOR'S MANUAL**

Rev 0125

# TABLE OF CONTENTS

---

<b>INTRODUCTION .....</b>	<b>3</b>
DISCLAIMER .....	3
ABOUT THIS MANUAL .....	4
SAFETY INFORMATION .....	5
<b>PRODUCT DESCRIPTION AND SPECIFICATION .....</b>	<b>6</b>
<b>INSTRUCTIONS FOR USE .....</b>	<b>7</b>
STEP 1 – CONSIDERATIONS FOR USE .....	7
STEP 2 – SPARE PART LIST .....	8
STEP 3 – OPERATING INSTRUCTIONS .....	9
<b>LIMITED WARRANTY .....</b>	<b>13</b>
OWNER’S RESPONSIBILITY UNDER THIS LIMITED WARRANTY .....	13
<b>CONTACT INFORMATION.....</b>	<b>15</b>
<b>RISK ASSESSMENT.....</b>	<b>16</b>

## INTRODUCTION

---

Thank you for purchasing a MAKINEX product.

This manual provides information and procedures to safely operate and maintain the **CG-2050** Concrete Grinder. For your own safety and protection from injury, carefully read, understand, and observe the safety instructions described in this manual.

Keep this manual or a copy of it with the machine. If you lose this manual or need an additional copy, please contact MAKINEX. This machine is designed and built with user safety in mind; however, it can present hazards if improperly operated and serviced. If there are any questions regarding operating or servicing of this machine, please contact MAKINEX.

All rights, especially copying and distribution rights are reserved.  
Copyright 2025 by MAKINEX.

No part of this publication may be reproduced in any form or by any means, electronic or mechanical, including photocopying, without express written permission from MAKINEX.

Any type of reproduction or distribution not authorised by MAKINEX represents an infringement of valid copyrights and will be prosecuted. We expressly reserve the right to make technical modifications, even without due notice, which aim at improving our machines or their safety standards.

## DISCLAIMER

---

MAKINEX and its affiliates take no responsibility for any damage, injury or death resulting from the incorrect or unsafe use of this product. Use of this product should be undertaken by competent persons only. It is the operator's responsibility to ensure that the following safety procedures are followed. If you are unsure, do not operate this product.

Record the model and serial numbers as well as date and place of purchase for future reference. Have this information available when ordering parts and when making technical or warranty enquiries.

**MAKINEX SUPPORT**

**Refer to contact details on pg. 17**

**MODEL NO.**

**CG-2050**

**SERIAL NO.**

**DATE OF PURCHASE**






**PURCHASE LOCATION**

## ABOUT THIS MANUAL

---

This manual uses the following symbols to help differentiate between different kinds of information. The safety symbol is used with a key word to alert you to potential hazards in operating and owning power equipment. Follow all safety messages to avoid or reduce the risk of serious injury or death.

### KEY TERMS

 <b>READ CAREFULLY</b>	READ CAREFULLY – refers to <b>important information</b> that should be paid careful attention.
 <b>CAUTION</b>	CAUTION - indicates a situation that <b>may</b> cause injury or damage to the machine if the user does not follow the instructions.
 <b>WARNING</b>	WARNING – indicates a situation that <b>may</b> cause injury or death if the user does not follow the instructions correctly.
 <b>DANGER</b>	DANGER – indicates a situation that <b>will</b> cause injury or death if the user does not follow the instructions as written.
 <b>PROHIBITED</b>	PROHIBITED – identifies actions that <b>should never</b> be carried out by anyone interacting with the equipment.

These safety warnings do not eliminate all possible hazards that could occur therefore it is essential to use common sense and to strictly follow any instructions to prevent accidents.

## SAFETY INFORMATION

---

Throughout this document there are several safety warnings. The user should read through this complete document before using the **CG-2050**.



Ensure you read all information contained in this manual before using the **CG-2050**.



Ensure you read the User Manual and safety instructions for the **CG-2050** and other components that are part of this unit. See Appendix for more information.



Always wear the recommended personal protective equipment (PPE).



Do not expose power tools to rain or wet conditions. Water entering a power tool will increase the risk of electric shock.

## PRODUCT DESCRIPTION AND SPECIFICATION

**CG-2050** Concrete Grinder and Trolley is a robust tool is your go-to for grinding, polishing, and finishing concrete surfaces, offering exceptional adaptability. Its ergonomic lightweight frame excels in leveling floors and edge grinding, delivering 2-in-1 capabilities.

The removable magnetic shroud ensures flawless edge grinding, while multi-directional frame casters enhance manoeuvrability. Experience varying speeds and a trigger lock, significantly reducing fatigue and the risk of manual handling injuries.

CE certified and equipped with power-off and overloading protections, it's a reliable choice. The outlet port accommodates a vacuum attachment, maintaining a clean environment. Compatible with standard 180mm diamond or resin grinding discs, this tool effortlessly removes surface coatings like epoxy and paint from concrete floors.

### WHAT'S IN THE BOX:

Items	Quantity
CG-2050	1
Vac Attachment	1
Y Type Wrench	1
Operators Manual	1



CG-2050 SPECIFICATIONS:		
MODEL	CG-2050-AU	CG-2050-US
DIMENSIONS	384mm×227mm×307mm	15.1in x 8.94in x 12.1in
NET WEIGHT	6.6Kg	14.6lbs
APPLICATION	Concrete Grinding and Concrete Polishing	
MOTOR SPECIFICATIONS	230V/50-60Hz/2050W	110V/60Hz/1900W
SPEED	0-3000r/min	
FEATURES	Power-off and overload protection	

## INSTRUCTIONS FOR USE

---



**NEVER** operate the **CG-2050** without wearing the appropriate personal protective equipment (PPE) including appropriate footwear.  
Assess the surrounding area for hazards. Ensure that any loose clothing and long hair is firmly tied back.



**ALWAYS** seek appropriate First Aid if Injury, Poisoning or Irritation occurs due to contact with Materials and Substances.



**ALWAYS** ensure that the work place is well ventilated.



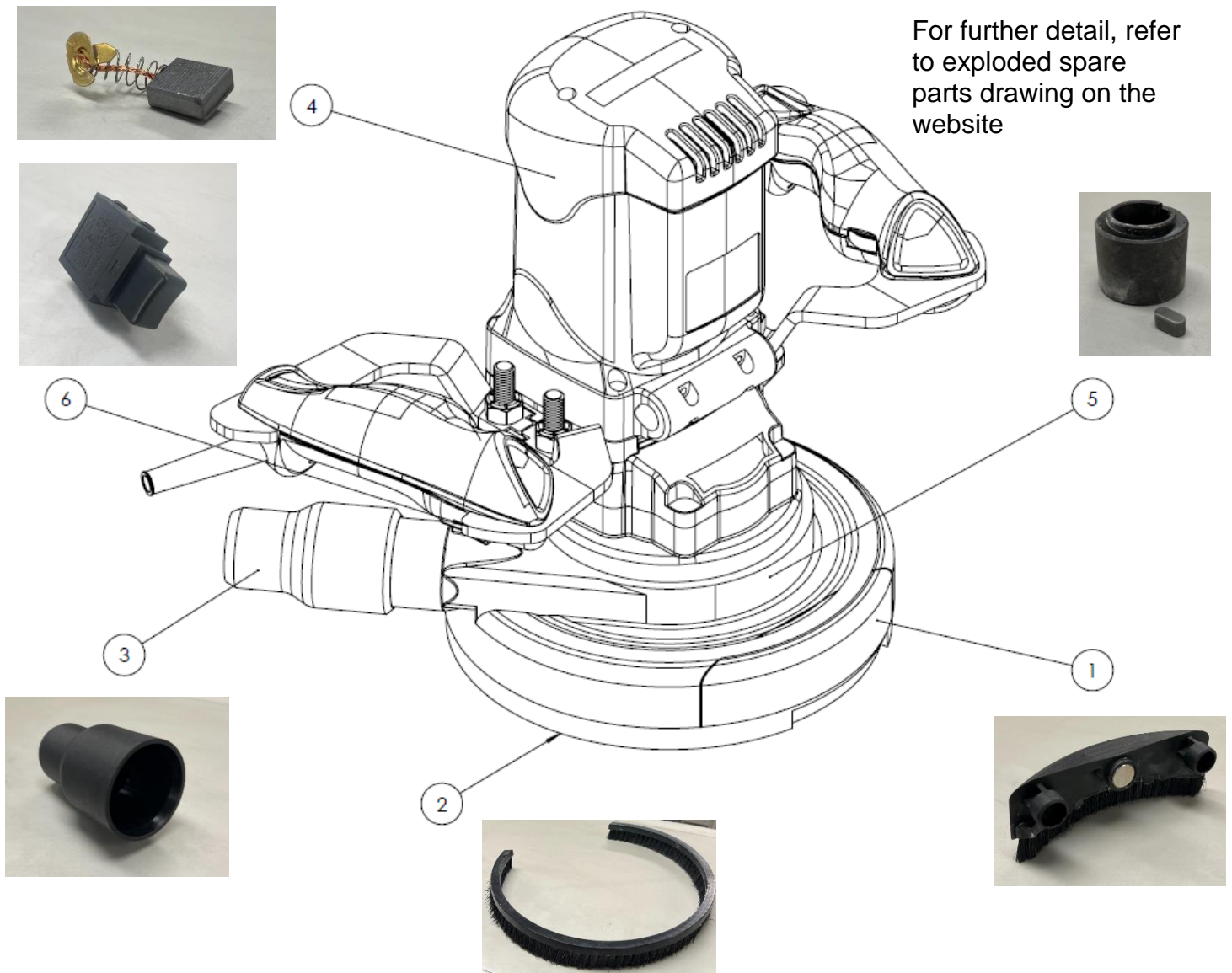
**ALWAYS** use dedicated mains power supply with extension lead not exceeding 10 metres/11 yards

## STEP 1 – CONSIDERATIONS FOR USE

---

1. Ensure the grinder is used in a clean and well-lit workplace;
2. Keep the grinder away from the high temperature sources including flammable, explosive, corrosive liquids and gases;
3. Protect the grinder from damage from external forces or sharp objects, and keep alert and remain in contact with the grinder to prevent it resulting in a falling hazard;
4. Do not touch the cutting wheel with your hands during working, and ensure the power cord is kept at a distance from the cutting wheel;
5. Do not expose the grinder to rain and / or humidity for an extended period;
6. When using the grinder, please wear a dust masks and acceptable eye-protection;
7. This grinder is only used for concrete floor surfaces. Please do not use on other materials and surfaces;
8. Keep the cutting wheel sharp and clean and replace them regularly, as indicated by the manufacture;
9. Keep the cutting wheel clean so that it operates freely and ensure the track is clean and slides freely;
10. Ensure the grinder is outside the reach of children and is only operated by an experienced technician familiar with operation of the grinder.
11. Ensure your grinder is maintained regularly by professional maintenance personnel and only use spare parts that are designed specifically for this grinder;
12. Keep the grinder handles clean, dry and oil-free.

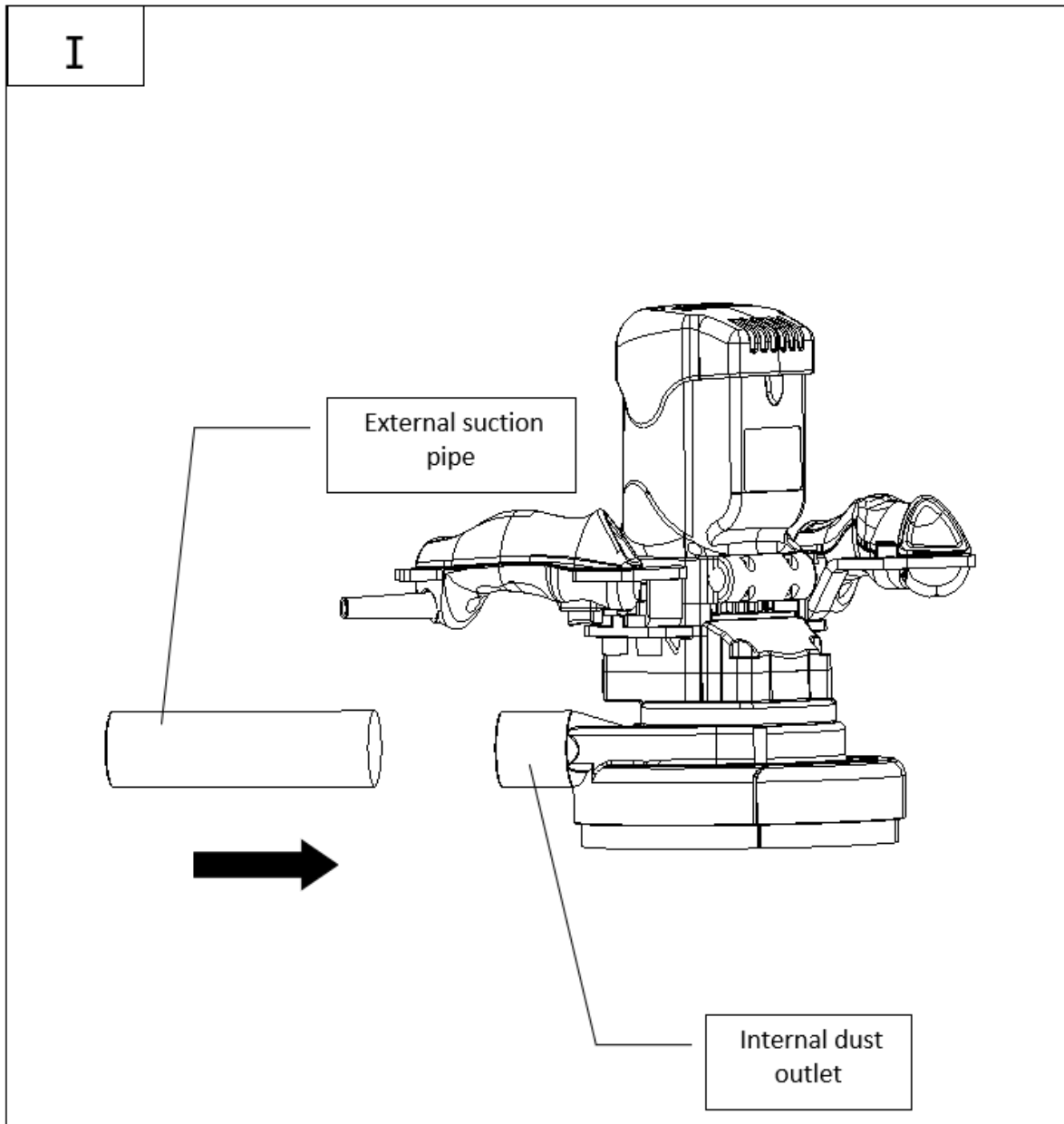
## STEP 2 – SPARE PART LIST



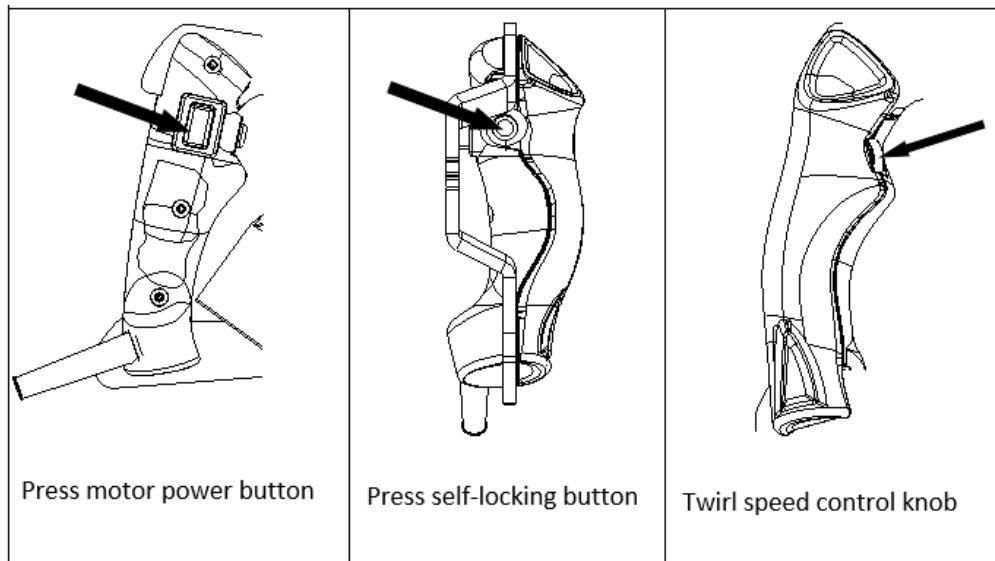
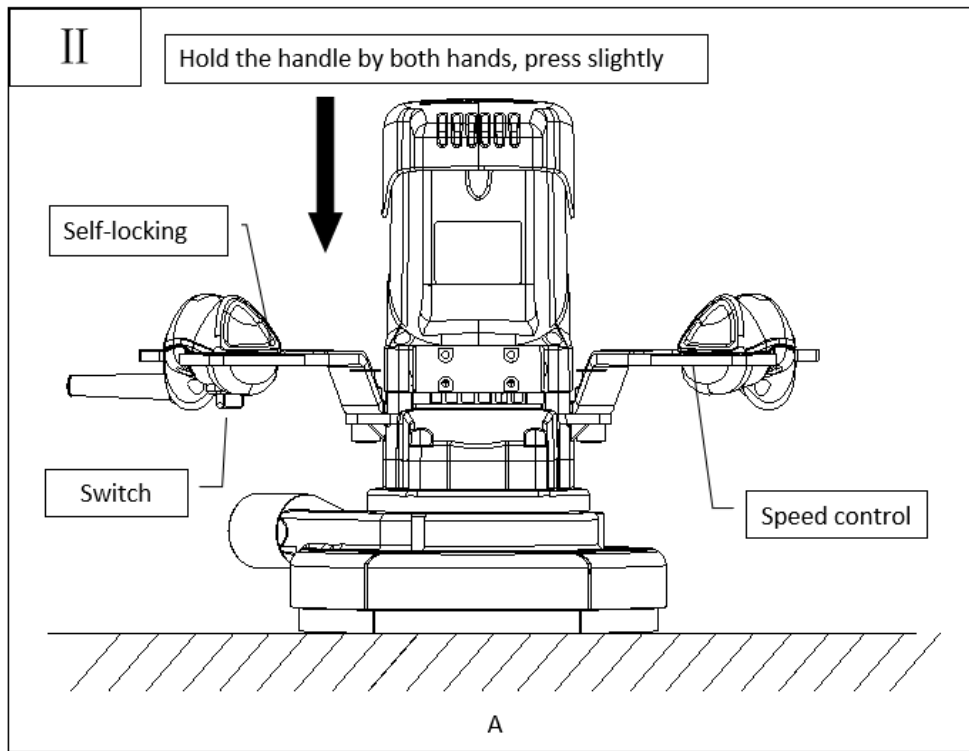
Item No.	Part Number	Description
1	CG-01-06-KIT	Cover plate kit with magnet
2	CG-01-08	Brush for dust cover
3	CG-01-03	Makinex Vac Adapter M38-F42
4	CG-01-07	Carbon Brush
5	CG-01-09	Keyway Block Set
6	MG	MS-M-Switch



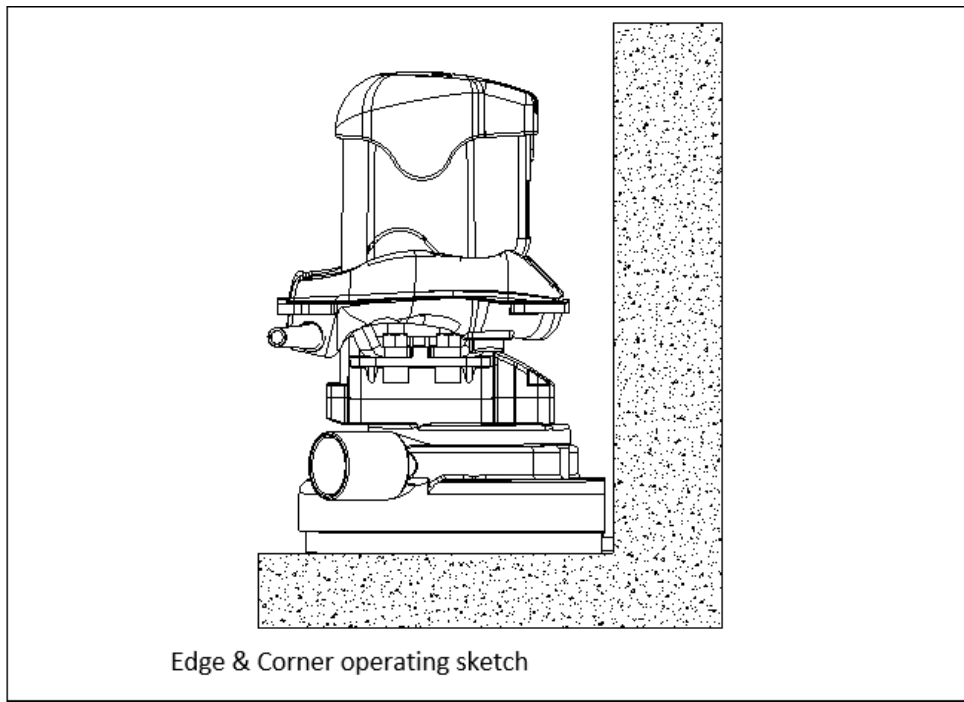
### STEP 3 – OPERATING INSTRUCTIONS



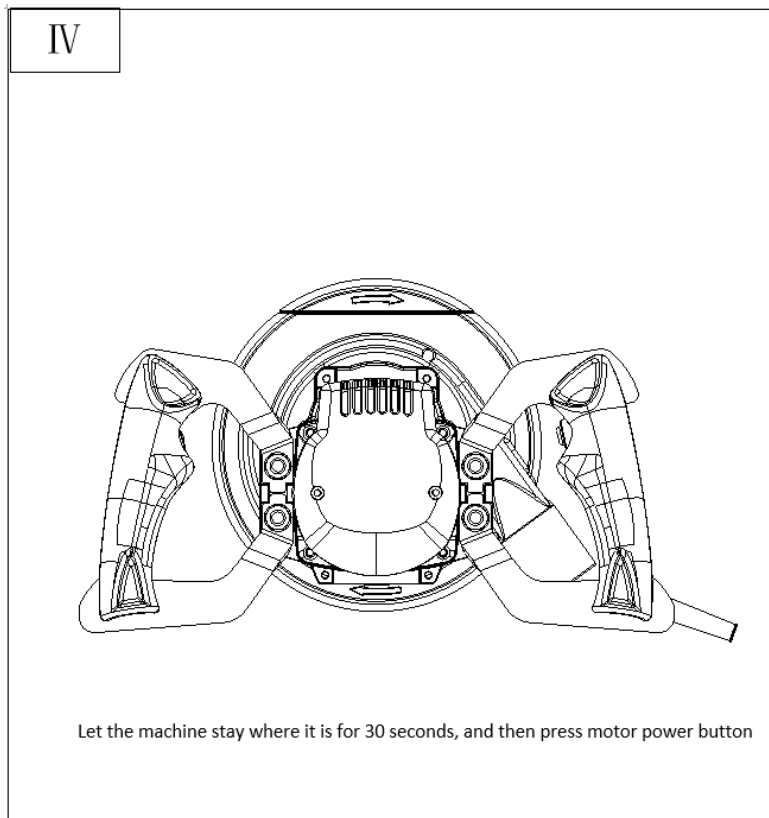
**Step 1:** Connect the Vac adapter to the internal dust outlet before connecting external suction pipe to Vac adapter, secure and ensure they are completely connected.



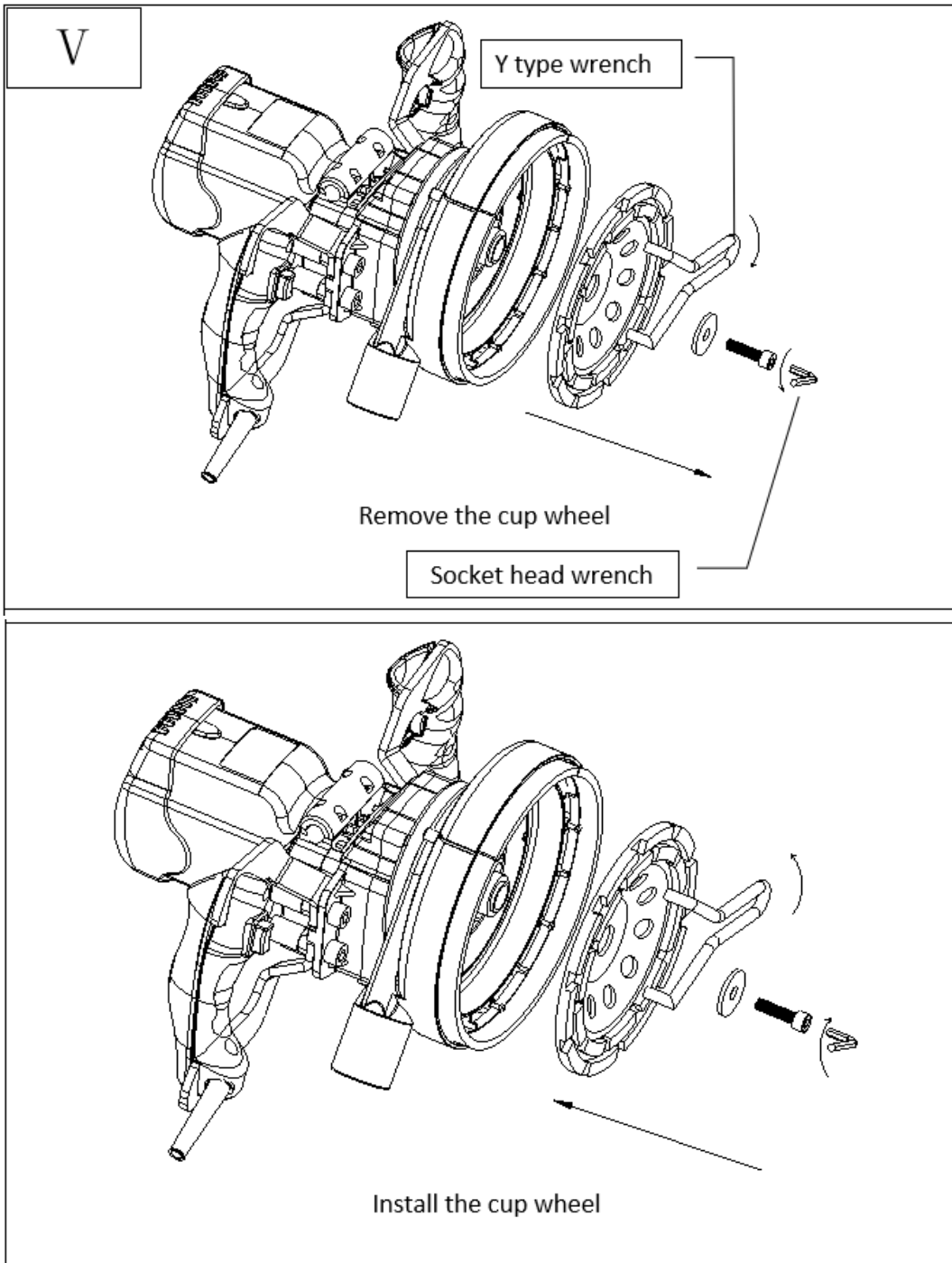
**Step 2:** Hold the handles with both hands and put your concrete grinder on a working face and apply a slight downward pressure through handles. Then press the motor power button and self-locking button to start the machine (do not loosen your hands). The machine will proceed to be ready for polishing work as soon as it becomes stable. For different work demands, adjust the rotate speed by twirling the speed control knob using the left-hand finger. The machine must be horizontal while in working process.



**Step 3:** As shown III, Separate the front anti-dust cover board from the anti-dust cover towards the direction shown by an arrow, in order to expose the diamond cup wheel for corner grinding demand. Repeat Step 2, as the machine will be ready to work as soon as it becomes stable.



**Step 4:** As shown IV, once you stop working, please loosen your hands and leave the machine where it is for 30 seconds. Then Press the motor power button after the dust inside of the anti-dust cover has been well collected and cleaned.



**Step 5:** As shown V, for replacing the cup wheel, you should first take the old cup wheel down by following steps, (1) Put both ends of the Y type wrench into holes around the edge of the diamond pad. (2) Fasten the Hexagonal wrench to the lock screw. (3) Rotate these both wrenches towards opposite directions. (4) Take the lock screw off then install a new cup wheel by repeating above steps, you will achieve it easily.

## LIMITED WARRANTY

---

To take advantage of the MAKINEX limited warranty, you must have maintenance performed by an authorised MAKINEX dealer or MAKINEX service technician. You are free to have your MAKINEX product serviced by any suitably qualified persons and this will not affect your statutory warranties, however, failure by the owner to have the recommended servicing carried out by an authorised MAKINEX dealer/service technician means that you cannot take advantage of the MAKINEX limited warranty.

MAKINEX warrants each new mixer to be free from defects in material and workmanship under normal domestic and industrial use and service for the period specified below, conditional to the limitations and exclusions printed on this page. This warranty applies only to new MAKINEX mixer distributed by us and by our authorised MAKINEX dealers.

Under the limited warranty and at MAKINEX's discretion, upon evaluation, inspection and testing by a MAKINEX dealer or a MAKINEX service technician, MAKINEX will repair and replace of defective part(s).

AUSTRALIA: Our goods come with guarantees that cannot be excluded under the Australian Consumer Law. You are entitled to a replacement or refund for a major failure and compensation for any other reasonably foreseeable loss or damage. You are also entitled to have the goods repaired or replaced if the goods fail to be of acceptable quality and the failure does not amount to a major failure.

### **WARRANTY: (Ex-factory/ Reseller premise)**

MAKINEX warrants to the original purchaser:

- MAKINEX provides a Limited One Year Warranty that applies to CG-2050 Concrete Grinder only.
- Warranty only applies to the original purchaser and is not transferable.

#### WARRANTY EXCLUSIONS

- Warranty does not cover wear and tear, breakage, misuse or theft.
- Warranty does not cover consumables
- Warranty will not apply to parts and/or labour if the Concrete Grinder is deemed to be misused, neglected, installed improperly or set up incorrectly.
- Cosmetic defects such as decals and coating.
- Failures due to acts of God and other force majeure events beyond the manufacturer's control.
- Problems caused by parts that are not original MAKINEX parts.
- Expedited freight costs.

### **OWNER'S RESPONSIBILITY UNDER THIS LIMITED WARRANTY**

---

Strict adherence to the maintenance checks and schedule with proof of scheduled maintenance service required by an authorised agent or qualified mechanic. It is the consumer's responsibility to deliver the machine in question to our service premises or to the premises of our appointed agent at the consumer's expense for replacement or repair as applicable. Maintenance services are not covered under warranty.

## Claim Procedure:

- Contact MAKINEX by phone or email informing us of your machines problem or defect.
- Once the extent of the claim has been assessed, we retain the right to compensate the consumer for such defect, or repair (parts & labour), or replace the machine under warranty.
- All warranties will be carried out by MAKINEX authorised staff or appointed agents at a premise to be determined by the Manufacturer.
- It is the responsibility (and cost) of MAKINEX or our appointed agent to return the machine to be repaired or replaced under warranty to the consumer- this is valid for domestic territories only (e.g., machine purchased in USA will repaired/replaced under warranty and returned to the USA consumer. Machine purchased in Australia will be repaired/replaced under warranty and returned to the Australian consumer, machine purchased in Europe will be repaired/replaced under warranty and returned to the consumer of that specific European nation etc.)
- Where the specific warranty component is under a Manufacturer's warranty other than MAKINEX the consumer can either contact MAKINEX or the applicable Manufacturer for repairs where such warranty was registered with that manufacturer at purchase.
- Warranty calls will only be carried out by our representatives and not via client's choice of repairer. We will not accept back charges for any work not carried out by our representatives or accept any charges due to equipment being un-operational for any reason even during its warranty period.

## CONTACT INFORMATION

---

For sales, service, warranty and parts for all MAKINEX products; please refer below.

	<b>SALES, SERVICE, SPARE PARTS &amp; WARRANTY</b>
<b>AUSTRALIA</b>	<p style="text-align: center;"><b><u>SALES</u></b></p> <p style="text-align: center;">TEL 1300 795 953 or +61 2 9460 8071 WEB <a href="http://www.makinex.com.au">www.makinex.com.au</a></p> <p style="text-align: center;"><b><u>SERVICE, SPARE PARTS &amp; WARRANTY</u></b></p> <p style="text-align: center;">SALES EMAIL <a href="mailto:sales@makinex.com.au">sales@makinex.com.au</a> SERVICE EMAIL <a href="mailto:service@makinex.com.au">service@makinex.com.au</a></p>
<b>USA</b>	<p style="text-align: center;"><b><u>SALES</u></b></p> <p style="text-align: center;">TEL +1 855-625-4639 WEB <a href="http://www.makinex.com">www.makinex.com</a></p> <p style="text-align: center;"><b><u>SERVICE, SPARE PARTS &amp; WARRANTY</u></b></p> <p style="text-align: center;">SALES EMAIL <a href="mailto:sales@makinex.com">sales@makinex.com</a> SERVICE EMAIL <a href="mailto:service@makinex.com">service@makinex.com</a></p>
<b>UK</b>	<p style="text-align: center;">WEB <a href="http://www.makinex.co.uk">www.makinex.co.uk</a></p>
<b>EUROPE</b>	<p style="text-align: center;">WEB <a href="http://www.makinex.eu">www.makinex.eu</a></p>

**Or your nearest MAKINEX distributor**

We have very knowledgeable, experienced staff to assist you with help and advice.



# RISK ASSESSMENT

PRODUCT RISK / HAZARD ASSESSMENT TABLE										
PRODUCT NAME: CONCRETE GRINDER		Assessment Carried Out By: Hayden Ellis, Andy Leung								
MANUFACTURER: MAKINEX		Document Revision Number: A								
OPERATOR COMPETENCY: PLANT LICENCE NOT REQUIRED		Date Created: 28/05/2024								
No:	TYPE / NATURE OF RISK or HAZARD	LIKELIHOOD LEVEL	INJURY LEVEL	RISK LEVEL	RISK / HAZARD CONTROL ACTION					
1.0	MECHANICAL	1.1	MOVING PARTS - CONTACT WITH GRINDING/POLISHING DISC	2	LIKELY	2	MAJOR	1	HIGH	DO NOT CONTACT ROTATING DISC UNTIL DISC IS STATIONARY AND POWER TO GRINDER IS DISCONNECTED
		1.2	MOVING PARTS - CONTACT WITH DUST VENTILATION FAN	4	VERY UNLIKELY	2	MAJOR	2	MEDIUM	DO NOT PUT YOUR FINGER INTO THE DUST PORT AT ALL TIMES
2.0	ELECTRICAL	2.1	ELECTROCUTION - SHEARING OF POWER CABLE	4	VERY UNLIKELY	1	FATALITY	1	HIGH	DURING OPERATION, ENSURE POWER CABLE IS POSITIONED AWAY FROM THE GRINDING DISC
		2.2	ELECTROCUTION - USING DAMAGED PRODUCT	4	VERY UNLIKELY	1	FATALITY	1	HIGH	CHECK PRODUCT PRIOR TO USE, IF DAMAGED, DO NOT OPERATE
3.0	NORMAL OPERATION	3.1	NOISE - EXCESSIVE NOISE DUE TO OPERATION	1	VERY LIKELY	2	MAJOR	1	HIGH	WEAR SUFFICIENT PPE (HEARING PROTECTION) AS PER LOCAL REGULATIONS
		3.2	FUMES AND TOXIC DUST - DUE TO GRINDING/POLISHING OPERATION	2	LIKELY	1	FATALITY	1	HIGH	WEAR SUFFICIENT PPE (BREATHING MASK) AS PER LOCAL REGULATIONS
		3.3	INJURY - DUE TO DROPPING CONCRETE GRINDER ON FOOT/FEET	2	LIKELY	3	MINOR	2	MEDIUM	WEAR SUFFICIENT PPE (STEEL CAP BOOTS) AS PER LOCAL REGULATIONS
		3.4	INJURY - DUE TO TRIPPING ON POWER/EXTENSION CHORD	2	LIKELY	4	NEGLIGIBLE	3	LOW	ENSURE POWER/EXTENSION CORD IS POSITIONED OUT OF PATH OR BE AWARE OF CABLE AT ALL TIMES
		3.5	LOSS OF CONTROL - DUE TO IMPROPER HANDLING	4	VERY UNLIKELY	3	MINOR	3	LOW	AT ALL TIMES, ENSURE BOTH HANDS ARE MAINTAINED ON THE UNIT
		3.6	ENTANGLEMENT - DUE TO LACK OF ENVIRONMENT AWARENESS OF CHORD LOCATION	3	UNLIKELY	3	MINOR	3	LOW	ENSURE POWER/EXTENSION CORD IS POSITIONED OUT OF PATH OR BE AWARE OF CABLE AT ALL TIMES
		3.7	AWKWARD HANDLING - BENDING DOWN ON KNEE	1	VERY LIKELY	3	MINOR	3	LOW	WEAR SUFFICIENT KNEE SUPPORT PPE



