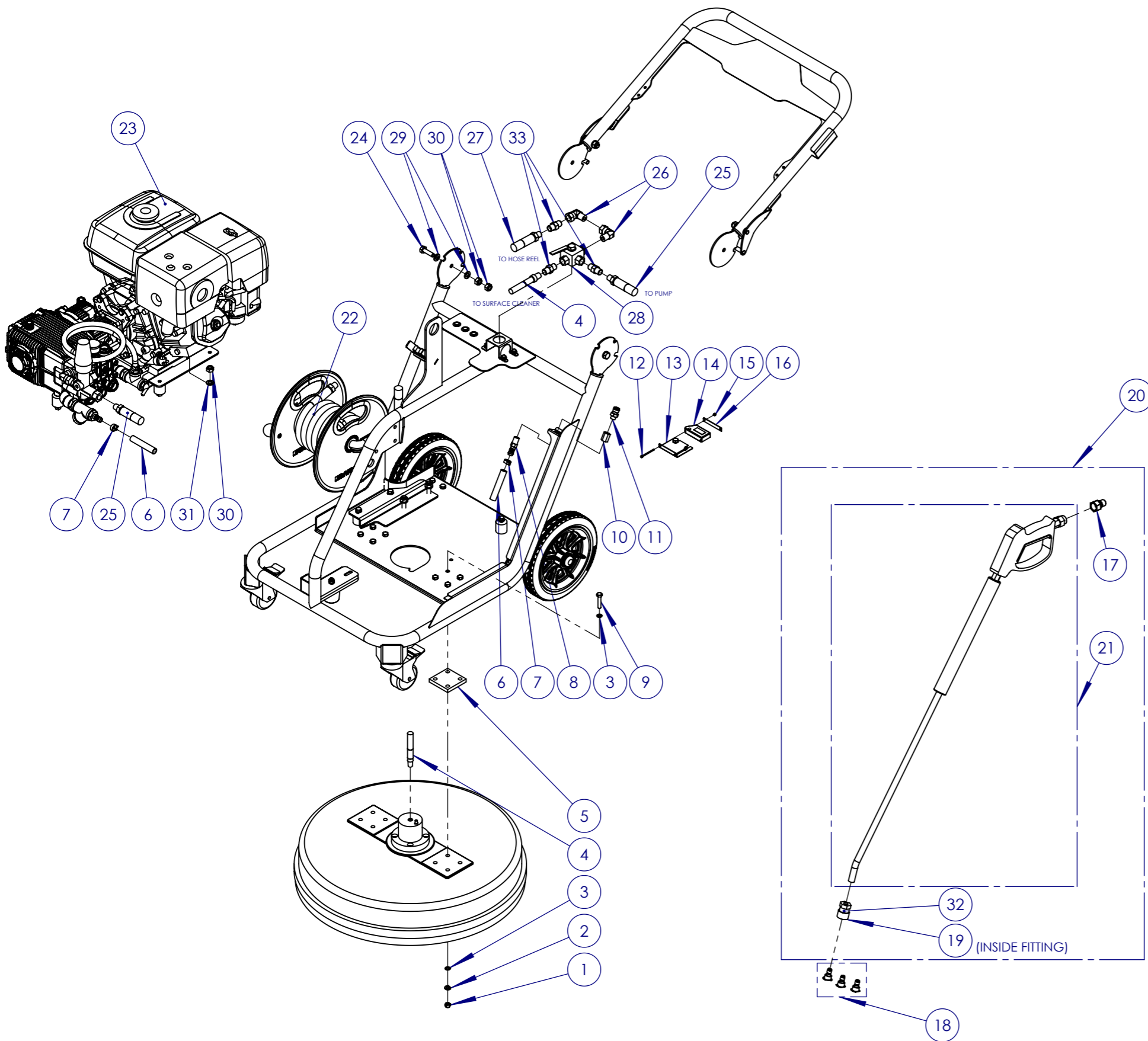


PRINT MAY BE REDUCED - DO NOT SCALE.



ITEM NO.	PART NO.	PART NAME	QTY
1	MAK-UP-511	M8 NYLOC NUT	24
2	MAK-UP-516	M8 SPRING WASHER	17
3	MAK-UP-535	M8 FLAT WASHER (MEDIUM)	12
4	DPW4-306	VALVE TO SURFACE CLEANER HOSE (800MM)	1
5	DPWS-311	SURACE CLEANER PAD	2
6	DPW4-307-1	WATER INLET HOSE - 1/2" x 800MM (PVC)	1
7	DPW4-309-9	HOSE CLAMP	2
8	DPW4-307-2	1/2" BARB 1/4" M THREAD	1
9	MAK-UP-555	M8X40 HEX BOLT Z/P	8
10	DPWS-307-4	1/4" F ADAPTOR	1
11	DPWS-307-3	1/4" SPRINKLER ADAPTOR	1
12	MAK-UP-569	M3X45 PH BOLT Z/P	2
13	MAK-UP-11-01	HOUR METER BRACKET	1
14	MAK-UP-11-03	VIBRATION ACTIVATED HOUR METER	1
	MAK-UP-49	ELECTRIC HOUR METER	1
15	MAK-UP-557	M3 NYLOC NUT	2
16	MAK-UP-11-02	HOUR METER WASHER	1
17	MAK-UP-67	3/8" M QUICK CONNECT	1
18	DPW4-308-1	QUICK CONNECT NOZZLE SET (040)	1
19	MAK-UP-101	O-RING 9.19 X 2.62MM	1
20	MAK-UP-55	QUICK CONNECT GUN ASSEMBLY	1
21	MAK-UP-56	GUN & LANCE ASSEMBLY	1
22	DPW4-304	3/8" HIGH PRESSURE HOSE (10M)	1
23	GX390-UT2-QXUZ	HONDA GX390 PULL START	1
24	MAK-UP-580	M10X35 HEX BOLT Z/P	2
25	DPW4-305	PUMP TO VALVE HOSE (1300MM)	1
26	DPW4-309-3	3/8" M/F ELBOW SWIVEL	2
27	DPW4-516	VALVE TO REEL HOSE	1
28	MAK-UP-60	3-WAY VALVE	1
29	MAK-UP-570	M10 FLAT WASHER (LARGE)	4
30	MAK-UP-543	M10 NYLOC NUT	8
31	MAK-UP-554	M10 FLAT WASHER (SMALL)	8
32	MAK-UP-54	1/4" F QUICK CONNECT	1
33	DPW4-309-4	3/8" M 3/8" M COUPLING	3



Sydney (Head Office) Ph: 1300 795 953
 15 Waltham St Fax: (02) 9439 9815
 Artarmon, 2064 www.makinex.com.au
 NSW, Australia sales@makinex.com.au

COPYRIGHT 2013 MAKINEX.
 WARNING: Copyright in this drawing remains the property of MAKINEX and copying in whole or part is not permitted without the written authority of the copyright owner.

GENERAL TOLERANCES
 (Unless otherwise noted)
 0-100mm: ± 0.25 mm
 100mm - 500mm: ± 0.5 mm
 500mm +: ± 1.0 mm
 Angular: ± 1 deg.



DATE: 05-Sep-18

SCALE: D.N.S A3

All Dimensions are in Millimetres
 Break All Sharp Corners and
 Remove Burrs & Swarf

25
 Denotes Critical Dimension

PROJECT:

ITEM NO.

DPW-4000

NOTES:

ITEM DESCRIPTION

DUAL PRESSURE WASHER 4000 PSI

MATERIAL

SEE PART

FINISH

SEE PART

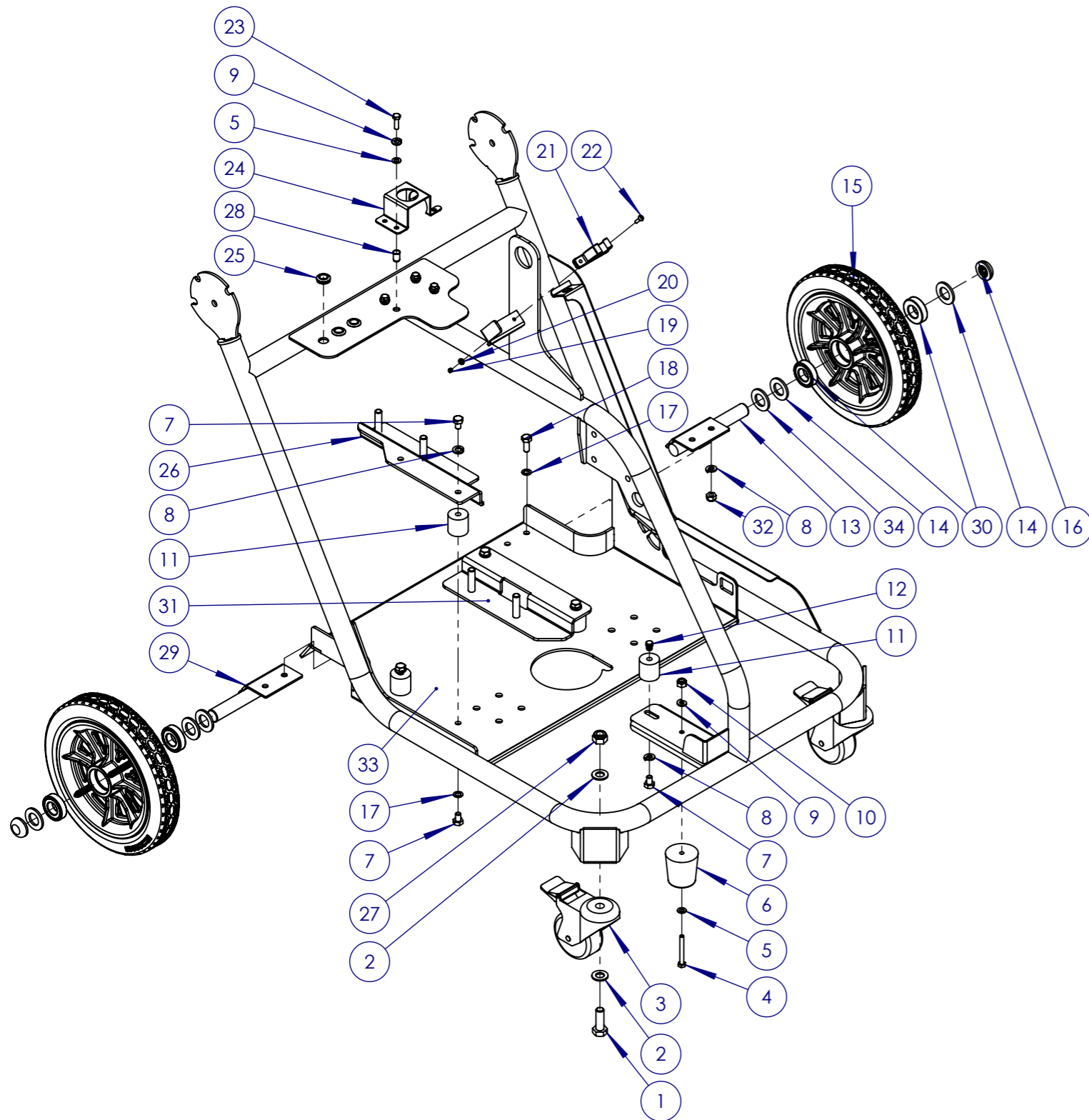
DRN: RT

MASS

REV

SHEET 1 OF 7

PRINT MAY BE REDUCED - DO NOT SCALE.



ITEM NO.	PART NO.	PART NAME	QTY
1	MAK-UP-571	M12X30 HEX BOLT Z/P	2
2	MAK-UP-537	M12 FLAT WASHER (MEDIUM)	2
3	MAK-UP-58	CASTOR 75MMx 25MM	2
4	MAK-UP-572	M6X40 HEX BOLT Z/P	1
5	MAK-UP-551	M6 FLAT WASHER (SMALL)	2
6	DPW4-118	RUBBER BUFFER	1
7	MAK-UP-519	M8X12 HEX BOLT Z/P	9
8	MAK-UP-516	M8 SPRING WASHER	17
9	MAK-UP-506	M6 SPRING WASHER	5
10	MAK-UP-503	M6 NYLOC NUT	5
11	MAK-UP-72	ENGINE MOUNT (30MM x 30MM x 40DURO)	5
12	DPW4-132	PUMP MOUNT ISOLATOR STUD (M10-M8)	1
13	DPWS-123	LEFT AXLE BRACKET 20MM	1
14	MAK-UP-06	NYLON WASHER 20MM	4
	MAK-UP-08	NYLON WASHER 16MM	4
15	MAK-UP-00	MAKINEX WHEEL 250MM	2
16	MAK-UP-04	AXLE CAP 20MM	2
	MAK-UP-05	AXLE CAP 16MM	2
17	MAK-UP-535	M8 FLAT WASHER (MEDIUM)	12
18	MAK-UP-520	M8X20 HEX BOLT Z/P	4
19	MAK-UP-562	M4 NYLOC NUT	2
20	MAK-UP-573	M4 FLAT WASHER (SMALL)	2
21	DPWS-130	NYLON CLAMP	1
22	MAK-UP-560	M4X16 PH BOLT Z/P	2
23	MAK-UP-563	M6X16 HEX BOLT Z/P	4
24	DPWS-113	VALVE BRACKET	1
25	DPWS-136	GROMMETS	3
26	DPW4-128R	MOTOR Z PLATE RIGHT	1
27	MAK-UP-548	M12 NYLOC NUT	2
28	MAK-UP-574	M6 RIVNUT	4
29	DPWS-122	RIGHT AXLE BRACKET 20MM	1
30	MAK-UP-01	WHEEL BEARING 20MM	4
	MAK-UP-02	WHEEL BEARING 16MM	4
31	DPW4-128L	MOTOR Z PLATE LEFT	1
32	MAK-UP-511	M8 NYLOC NUT	4
33	DPW4-100W	FRAME WELDMENT	1
34	MAK-UP-558	M20 FLAT WASHER (MEDIUM)	1



Sydney (Head Office) Ph: 1300 795 953
 15 Waltham St Fax: (02) 9439 9815
 Artarmon, 2064 www.makinex.com.au
 NSW, Australia sales@makinex.com.au

COPYRIGHT 2015 MAKINEX.
 WARNING: Copyright in this drawing remains the property of MAKINEX and copying in whole or part is not permitted without the written authority of the copyright owner.

GENERAL TOLERANCES
 (Unless otherwise noted)
 0-100mm: ± 0.25 mm
 100mm - 500mm: ± 0.5 mm
 500mm +: ± 1.0 mm
 Angular: ± 1 deg.

Third Angle Projection
 - AS 1100

DATE: 05-Sep-18

SCALE: D.N.S A3

All Dimensions are in Millimetres
 Break All Sharp Corners and
 Remove Burrs & Swarf

25
 Denotes Critical Dimension

PROJECT:

ITEM NO.

DPW-4000

NOTES: FRAME ASSEMBLY EXPLODED

ITEM DESCRIPTION

DUAL PRESSURE WASHER 4000 PSI

MATERIAL

SEE PART

FINISH

SEE PART

DRN: RT

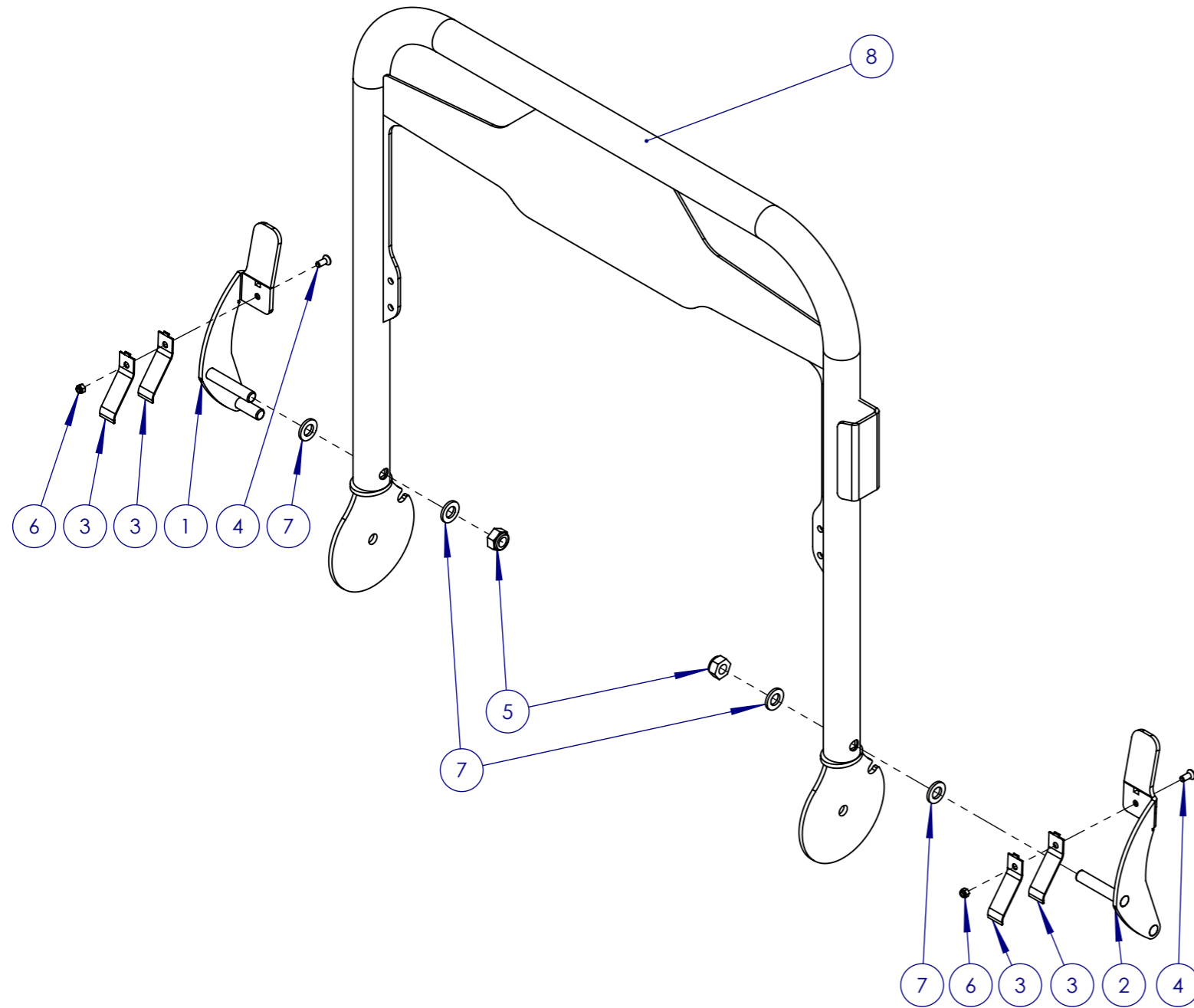
MASS

REV

003

SHEET 2 OF 7

PRINT MAY BE REDUCED - DO NOT SCALE.



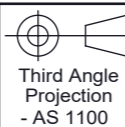
ITEM NO.	PART NO.	PART NAME	QTY
1	DPWS-205	HANDLE LOCK RIGHT	1
2	DPWS-206	HANDLE LOCK LEFT	1
3	MAK-UP-59	LEAF SPRING	4
4	MAK-UP-539	M4X12 CSK PH BOLT Z/P	2
5	MAK-UP-543	M10 NYLOC NUT	2
6	MAK-UP-562	M4 NYLOC NUT	2
7	MAK-UP-542	M10 FLAT WASHER (MEDIUM)	4
8	DPW4-200W	HANDLE WELDMENT	1



Sydney (Head Office) Ph: 1300 795 953
 15 Waltham St Fax: (02) 9439 9815
 Artarmon, 2064 www.makinex.com.au
 NSW, Australia sales@makinex.com.au

COPYRIGHT 2013 MAKINEX.
 WARNING: Copyright in this drawing remains the property of MAKINEX and copying in whole or part is not permitted without the written authority of the copyright owner.

GENERAL TOLERANCES
 (Unless otherwise noted)
 0-100mm: ± 0.25 mm
 100mm - 500mm: ± 0.5 mm
 500mm +: ± 1.0 mm
 Angular: ± 1 deg.



DATE: 05-Sep-18

SCALE: D.N.S A3

All Dimensions are in Millimetres
 Break All Sharp Corners and
 Remove Burrs & Swarf

25
 Denotes Critical Dimension

PROJECT:

ITEM NO.

DPW-4000

NOTES: HANDLE ASSEMBLY EXPLODED

ITEM DESCRIPTION

DUAL PRESSURE WASHER 4000 PSI

MATERIAL

SEE PART

FINISH

SEE PART

DRN: RT

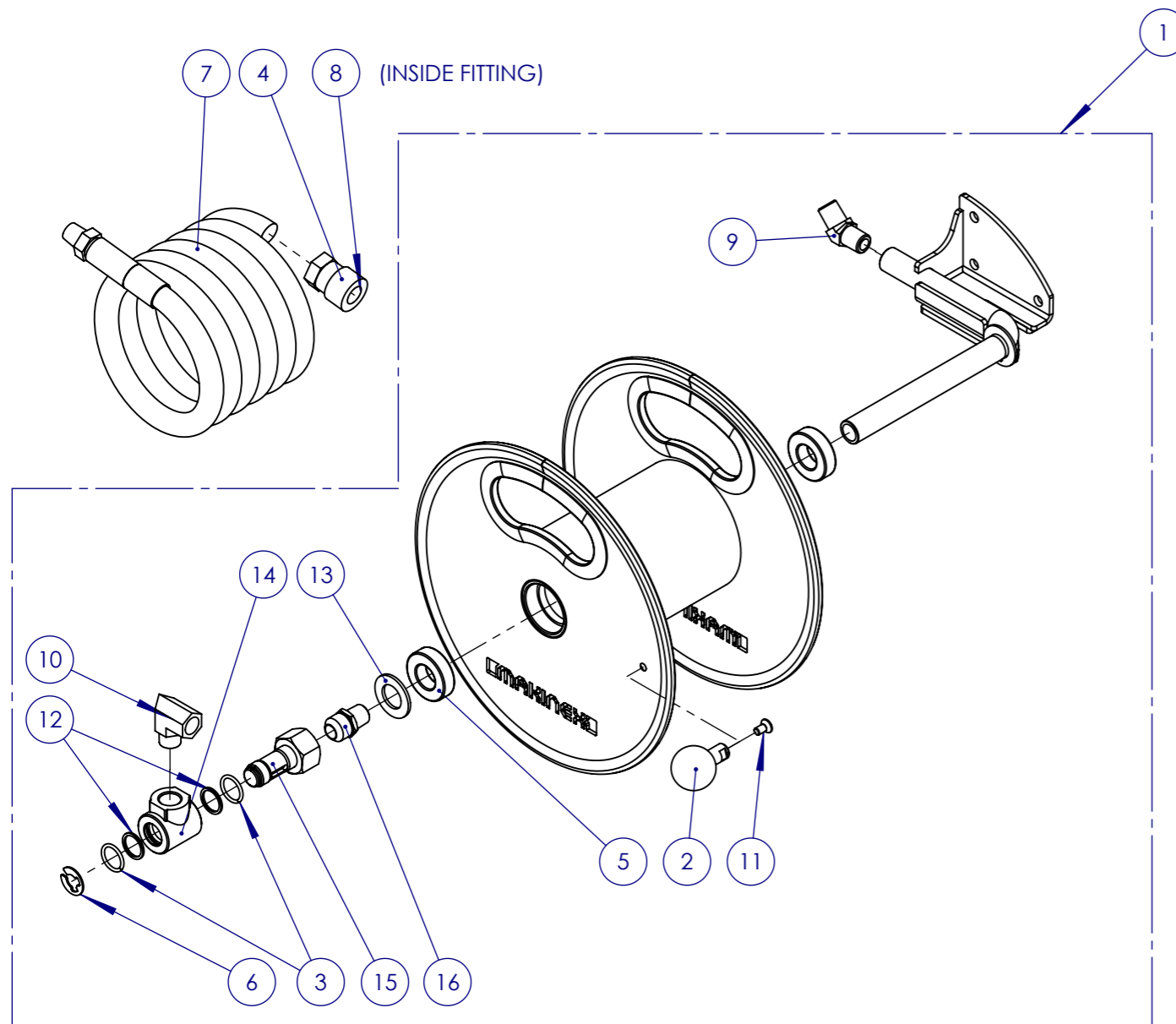
MASS REV

003

SHEET 3 OF 7

PRINTED: 05-Sep-18

PRINT MAY BE REDUCED - DO NOT SCALE.



ITEM NO.	PART NO.	PART NAME	QTY
1	DPW4-500	HOSE REEL ASSEMBLY	1
2	MAK-UP-62	HOSE REEL HANDLE	1
3	MAK-UP-99	O-RING 19X2.5MM	2
4	MAK-UP-66	3/8" F QUICK CONNECT	1
5	DPW4-505	BUSH, HOSE REEL	2
6	MAK-UP-65	E-CLIP	1
7	DPW4-304	3/8" HIGH PRESSURE HOSE (10M)	1
8	MAK-UP-100	O-RING 12.37 X 2.62MM	1
9	DPW4-515	3/8" M 135 DEGREE ELBOW	1
10	DPW4-507	3/8" M 3/8" F HIGH PRESSURE ELBOW	1
11	MAK-UP-575	M6X16 FLAT CSK SHCS BOLT Z/P	1
12	MAK-UP-19	SEATING WASHER	2
13	MAK-UP-558	M20 FLAT WASHER MEDIUM	1
14	MAK-UP-64	HOSE REEL WATER INLET EXTERNAL	1
15	MAK-UP-63	HOSE REEL WATER INLET INTERNAL	1
16	DPW2-508	NIPPLE, WATER INLET	1



Sydney (Head Office) Ph: 1300 795 953
 15 Waltham St Fax: (02) 9439 9815
 Artarmon, 2064 www.makinex.com.au
 NSW, Australia sales@makinex.com.au

COPYRIGHT 2015 MAKINEX.
 WARNING: Copyright in this drawing remains the property of MAKINEX and copying in whole or part is not permitted without the written authority of the copyright owner.

GENERAL TOLERANCES
 (Unless otherwise noted)
 0-100mm: ± 0.25 mm
 100mm - 500mm: ± 0.5 mm
 500mm +: ± 1.0 mm
 Angular: ± 1 deg.

Third Angle Projection
 - AS 1100

DATE: 05-Sep-18

SCALE: D.N.S A3

All Dimensions are in Millimetres
 Break All Sharp Corners and
 Remove Burrs & Swarf

25
 Denotes Critical Dimension

PROJECT:

ITEM NO.

DPW-4000

NOTES: HOSE REEL EXPLODED

ITEM DESCRIPTION

DUAL PRESSURE WASHER 4000 PSI

MATERIAL

SEE PART

FINISH

SEE PART

DRN: RT

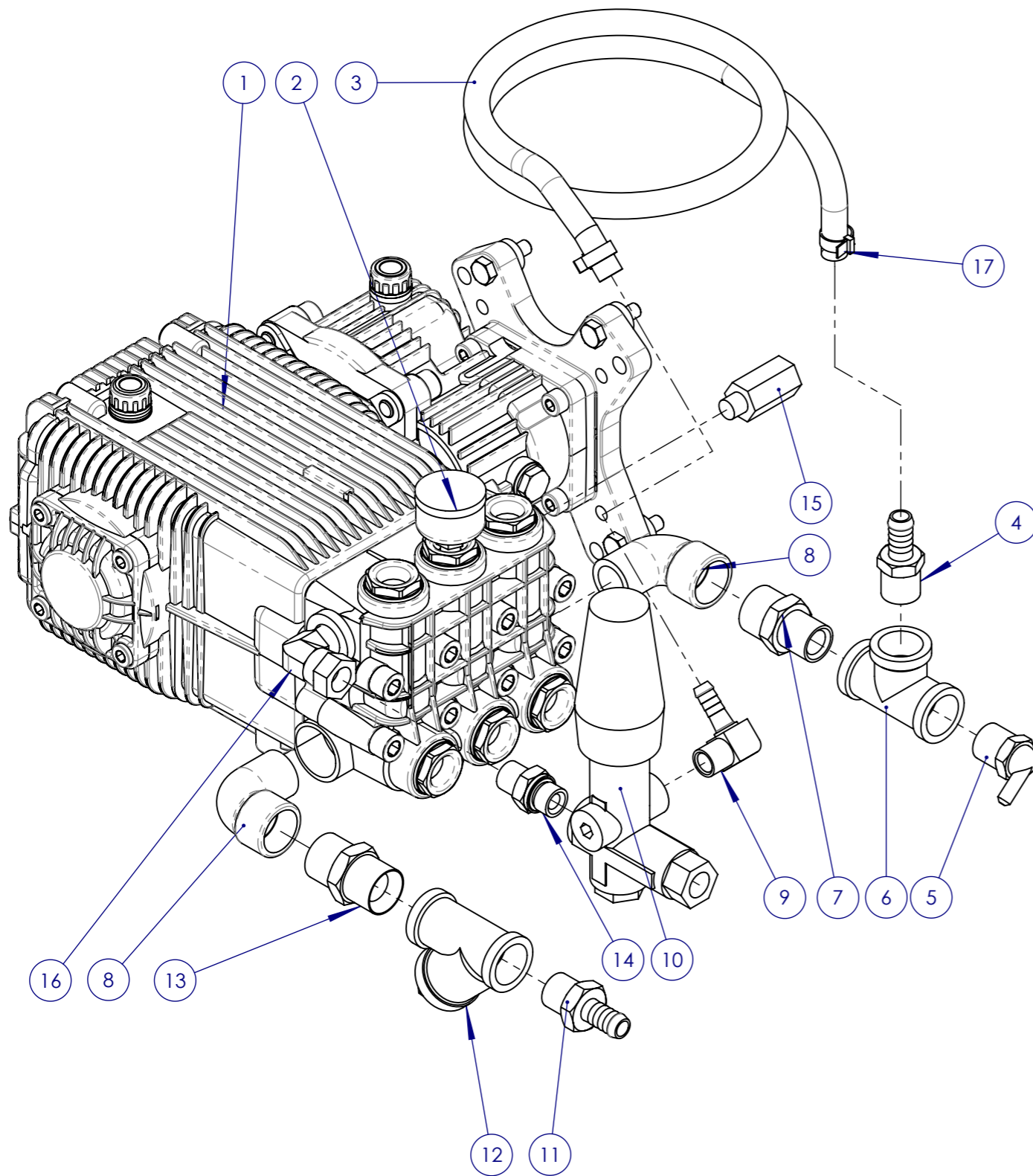
MASS REV

003

SHEET 4 OF 7

PRINTED: 05-Sep-18

PRINT MAY BE REDUCED - DO NOT SCALE.



ITEM NO.	PART NO.	PART NAME	QTY
1	DPW4-302	PUMP & GEARBOX ASSEMBLY	1
2	DPW4-302-1	PRESSURE GAUGE 4000PSI	1
3	DPW4-309-8	3/8" HOSE (800MM)	1
4	MAK-UP-70	3/8" BARB, 1/2" M THREAD	1
5	MAK-UP-50	THERMO RELEASE VALVE	1
6	DPW4-309-1	1/2" F TEE	1
7	DPW4-309-10	3/4" M x 1/2" M COUPLING	1
8	DPW4-309-6	3/4" M/F ELBOW	2
9	DPW4-309-2	3/8" BARB 3/8" M THREAD ELBOW	1
10	DPW4-309-12	VHP BYPASS VALVE	1
11	DPW4-309-5	1/2" BARB 3/4" M THREAD	1
12	DPW4-309-13	3/4" Y BRASS STRAINER	1
13	DPW4-309-11	3/4" M 3/4" M COUPLING	1
14	DPW4-309-4	3/8" M 3/8" M COUPLING	1
15	DPW4-309-15	PRESSURE RELIEF VALVE	1
16	DPW4-309-3	3/8" M/F ELBOW SWIVEL	1
17	DPW4-309-9	HOSE CLAMP	5



Sydney (Head Office) Ph: 1300 795 953
 15 Waltham St Fax: (02) 9439 9815
 Artarmon, 2064 www.makinex.com.au
 NSW, Australia sales@makinex.com.au

COPYRIGHT 2013 MAKINEX.
 WARNING: Copyright in this drawing remains the property of MAKINEX and copying in whole or part is not permitted without the written authority of the copyright owner.

GENERAL TOLERANCES
 (Unless otherwise noted)
 0-100mm: ± 0.25 mm
 100mm - 500mm: ± 0.5 mm
 500mm +: ± 1.0 mm
 Angular: ± 1 deg.



DATE: 05-Sep-18

SCALE: D.N.S A3

All Dimensions are in Millimetres
 Break All Sharp Corners and
 Remove Burrs & Swarf

25
 Denotes Critical Dimension

PROJECT:

ITEM NO.

DPW-4000

NOTES: PUMP FITTINGS EXPLODED

ITEM DESCRIPTION

DUAL PRESSURE WASHER 4000 PSI

MATERIAL

SEE PART

FINISH

SEE PART

DRN: RT

MASS

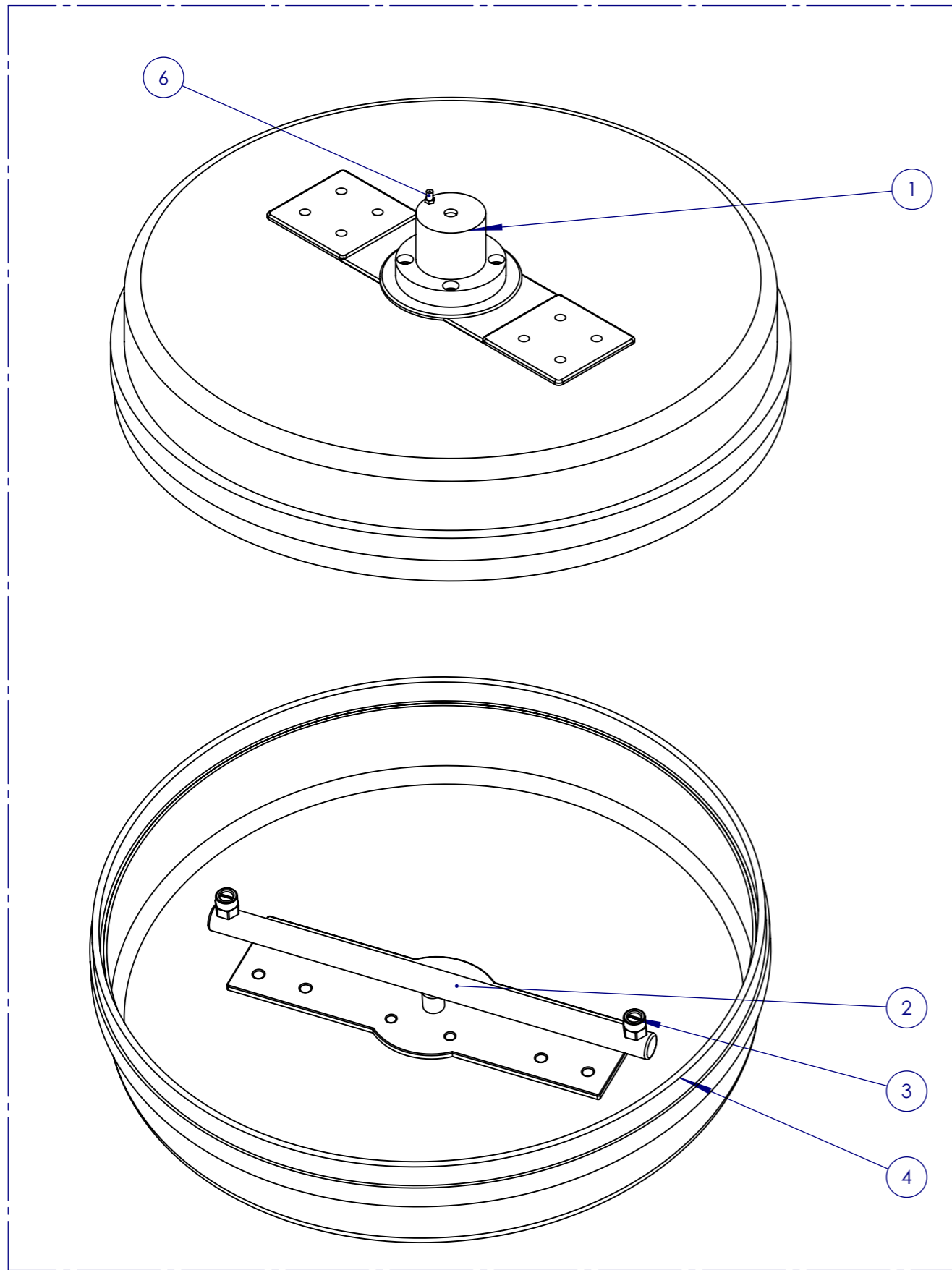
REV

003

SHEET 5 OF 7

PRINTED: 05-Sep-18

PRINT MAY BE REDUCED - DO NOT SCALE.



ITEM	PART NO.	PART NAME	QTY
1	MAK-UP-61	ROTARY HOUSING ASSEMBLY	1
2	DPW4-303-2	ROTARY BAR (24")	1
3	DPW4-303-3	NOZZLE,ROTARY, 25-20	2
4	DPW4-303-4	ROTARY BRUSH (24")	1
5	DPW4-303	SURFACE CLEANER ASSEMBLY (24")	1
6	MAK-UP-53	GREASE NIPPLE	1



Sydney (Head Office) Ph: 1300 795 953
 15 Waltham St Fax: (02) 9439 9815
 Artarmon, 2064 www.makinex.com.au
 NSW, Australia sales@makinex.com.au

COPYRIGHT 2015 MAKINEX.
 WARNING: Copyright in this drawing remains the property of MAKINEX and copying in whole or part is not permitted without the written authority of the copyright owner.

GENERAL TOLERANCES
 (Unless otherwise noted)
 0-100mm: ± 0.25 mm
 100mm - 500mm: ± 0.5 mm
 500mm +: ± 1.0 mm
 Angular: ± 1 deg.

Third Angle Projection
 - AS 1100

DATE: 05-Sep-18

SCALE: D.N.S A3

All Dimensions are in Millimetres
 Break All Sharp Corners and
 Remove Burrs & Swarf

25
 Denotes Critical Dimension

PROJECT:

ITEM NO.

DPW-4000

NOTES: SURFACE CLEANER EXPLODED

ITEM DESCRIPTION

DUAL PRESSURE WASHER 4000 PSI

MATERIAL

SEE PART

FINISH

SEE PART

DRN: RT

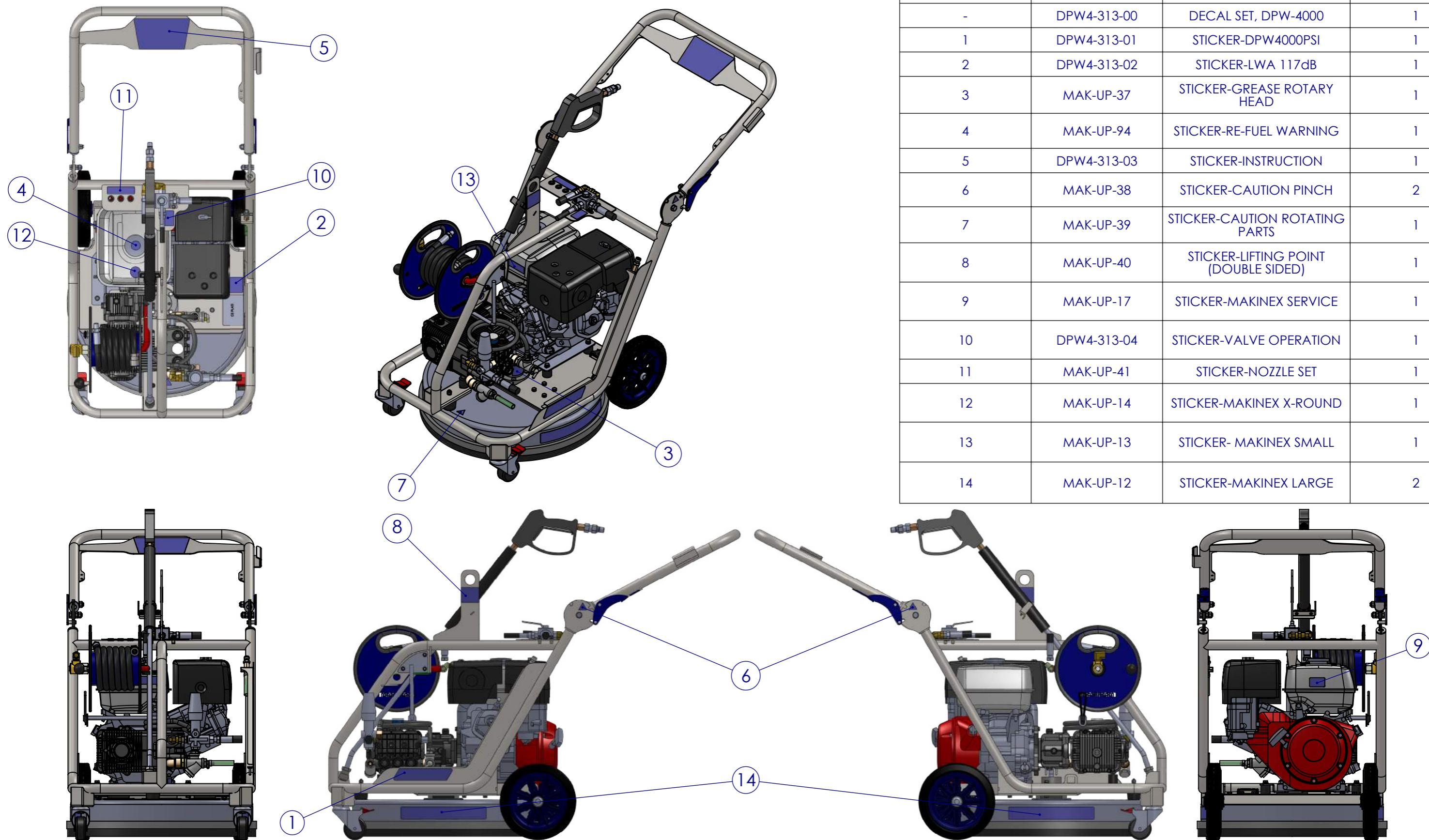
MASS REV

003

SHEET 6 OF 7

PRINTED: 05-Sep-18

PRINT MAY BE REDUCED - DO NOT SCALE.



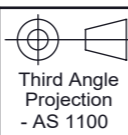
ITEM NO.	PART NO.	PART NAME	QTY
-	DPW4-313-00	DECAL SET, DPW-4000	1
1	DPW4-313-01	STICKER-DPW4000PSI	1
2	DPW4-313-02	STICKER-LWA 117dB	1
3	MAK-UP-37	STICKER-GREASE ROTARY HEAD	1
4	MAK-UP-94	STICKER-RE-FUEL WARNING	1
5	DPW4-313-03	STICKER-INSTRUCTION	1
6	MAK-UP-38	STICKER-CAUTION PINCH	2
7	MAK-UP-39	STICKER-CAUTION ROTATING PARTS	1
8	MAK-UP-40	STICKER-LIFTING POINT (DOUBLE SIDED)	1
9	MAK-UP-17	STICKER-MAKINEX SERVICE	1
10	DPW4-313-04	STICKER-VALVE OPERATION	1
11	MAK-UP-41	STICKER-NOZZLE SET	1
12	MAK-UP-14	STICKER-MAKINEX X-ROUND	1
13	MAK-UP-13	STICKER- MAKINEX SMALL	1
14	MAK-UP-12	STICKER-MAKINEX LARGE	2



Sydney (Head Office) Ph: 1300 795 953
 15 Waltham St Fax: (02) 9439 9815
 Artarmon, 2064 www.makinex.com.au
 NSW, Australia sales@makinex.com.au

COPYRIGHT 2013 MAKINEX.
 WARNING: Copyright in this drawing remains the property of MAKINEX and copying in whole or part is not permitted without the written authority of the copyright owner.

GENERAL TOLERANCES (Unless otherwise noted)
 0-100mm: ± 0.25 mm
 100mm - 500mm: ± 0.5 mm
 500mm +: ± 1.0 mm
 Angular: ± 1 deg.



DATE: 05-Sep-18

SCALE: D.N.S A3

All Dimensions are in Millimetres
 Break All Sharp Corners and Remove Burrs & Swarf

25
 Denotes Critical Dimension

PROJECT:

ITEM NO. DPW-4000

NOTES:

ITEM DESCRIPTION DUAL PRESSURE WASHER 4000 PSI

MATERIAL SEE PART

FINISH SEE PART

DRN: RT

MASS REV

003 SHEET 7 OF 7

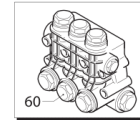
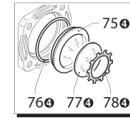
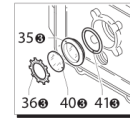
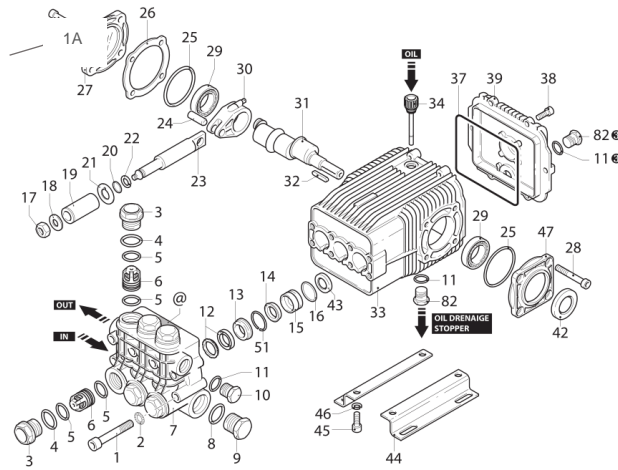
PRINTED: 05-Sep-18

XW

VERSION

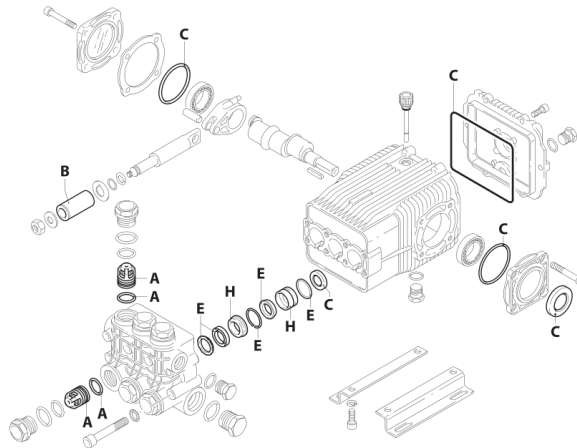
N 1450rpm

ø 24x45 mm



UN002607-LN

KIT RICAMBI / PART KITS



[1948601]

UN002608-LP

ITEM NO.	PART NO.	PART NAME	QTY
B	DPW4-2650	PISTONS KIT, 20MM	1
A	DPW4-2780	VALVES KIT	1
E	DPW4-2782	WATER SEALS KIT, 20MM	1
H	DPW4-2784	PISTON GUIDES KIT, 20MM	1
C	DPW4-2873	OIL SEALS KIT, DPW-4000 PUMP	1
34	DPW4-1140370	DIPSTICK, PUMP AND GEARBOX	1

194 Series

XW 1450 rpm N version ø 24 mm

15.15 (20352) 21.20 (20174) 26.12 (20175) 26.23 (20177) 30.20 DX (20060)
 15.20 (20353) 21.25 (20058) 26.15 (20176) 30.10 (20178) 30.20 SX (20270)
 15.30 (20592) 21.28 (21136) 26.20 (20059) 30.15 (20179) 30.25 (21137)



Pos.	Cod.	Denominazione	Description	Qt	Note	Pos.	Cod.	Denominazione	Description	Qt	Note
1	1940260	Vite TCEI M10x80	Screw	8	C=50Nm	33	1941330	Corpo pompa	Pump body	1	
2	650530	Rondella	Washer	8		34	1140370	Tappo	Plug	1	
3	1940140	Tappo	Plug	6	C=68Nm	35	1260250	Indicatore livello	Level gauge	1	Ⓢ
4	1940150	Anello antiestrusione	Ring	6		36	1260430	Anello	Ring	1	Ⓢ
5	1140450	Guarnizione OR Ø 20,24x2,62	O-ring	12		37	1940410	Guarnizione OR Ø 132x3	O-ring	1	
6	1949050	Valvola completa	Complete valve	6		38	1200430	Vite TCEI M6x16	Screw	6	C=10,4 Nm
7	1940021	Testa	Head	1	● ◆ ○ ⊕	39	1949010	Coperchio completo	Cover	1	
	1941210	Testa	Head	1	▲	40	1780690	Disco	Plate	1	Ⓢ
8	550350	Guarnizione OR Ø 23,81X2,62	O-ring	1		41	1140450	Guarnizione OR Ø 20,24x2,62	O-ring	1	Ⓢ
9	1140300	Tappo 3/4" G	Plug	1	C=35Nm	42	820680	Anello tenuta	Ring	1	(b)
10	1980740	Tappo 3/8" G ottone	Plug	1	C=25Nm	43	1940560	Anello tenuta	Ring	3	
11	740290	Guarnizione OR Ø 14x1,78	O-ring	3	Ⓢ	44	1940370	Piede	Foot	2	Optional
12	1940440	Guarnizione Ø 20	Gasket	3	● ◆ ⊕ ⊗ (a)	45	1940380	Vite TCEI 10x18	Screw	4	Optional (=50 Nm)
	1940270	Guarnizione Ø 22	Gasket	3	▲ ⊗ (a)	46	200231	Rondella	Washer	4	Optional
13	1940430	Guida pistone anteriore Ø 20	Piston guide	3	● ◆ ○ ⊕	47	1941240	Supporto	Support	1	
14	1940200	Guida pistone anteriore Ø 22	Piston guide	3	▲	51	1941220	Guarnizione tagliato Ø22	Gasket	3	
15	1940470	Guarnizione Ø 20	Gasket	3	● ◆ ○ ⊕ ⊗	60	1949200	Premontaggio testa	Head assembly	1	● ◆ ○ ⊕
	1940480	Guarnizione Ø 22	Gasket	3	▲ ⊗		1949203	Premontaggio testa	Head assembly	1	▲
16	1940450	Guida pistone posteriore Ø 20	Piston guide	3	● ◆ ○ ⊕	75	1941270	Indicatore livello	Level gauge	1	④
	1940460	Guida pistone posteriore Ø 22	Piston guide	3	▲	76	100410	Guarnizione OR Ø 34,6x2,62	O-ring	1	④
17	820490	Guarnizione OR Ø 34,65x1,78	O-ring	3		77	1941260	Disco	Plate	1	④
18	1940570	Dado	Nut	3	⊕ C=12Nm	78	1941290	Anello	Ring	1	④
19	1940580	Rondella	Washer	3		82	1980740	Tappo 3/8" G ottone	Plug	2	Ⓢ C=20Nm
20	1420430	Pistone Ø 20	Piston	3	● ◆ ○ ⊕						
21	1420120	Pistone Ø 22	Piston	3	▲						
22	880840	Guarnizione OR Ø 9,25x1,78	O-ring	3							
23	960460	Disco	Plate	3							
24	1940120	Anello antiestrusione	Ring	3							
25	1940070	Pistone di guida	Piston	3							
26	1940060	Perno	Hub pin	3							
27	1941380	Guarnizione OR Ø 66,34x2,62	O-ring	2							
	1941390	Spessore 0,05 mm	Shim 0.05 mm	1÷3							
	1941400	Spessore 0,10 mm	Shim 0.10 mm	1÷3							
	1941410	Spessore 0,19 mm	Shim 0.19 mm	1÷3							
28	1941420	Spessore 0,25 mm	Shim 0.25 mm	1÷3							
29	1949011	Coperchio	Cover	1							
30	850370	Vite TCEI M8x16	Screw	8	C=24,5Nm						
31	1941370	Cuscinetto	Bearing	2	●						
	1140410	Cuscinetto	Bearing	2	◆ ○ ⊕ ▲						
32	1940051	Biella alluminio	Connecting-rod	3	⊕ C=20Nm						
	1940520	Albero marcato 5	Shaft	1	● ◆						
	1940180	Albero marcato 3	Shaft	1	○						
	1940160	Albero marcato 1	Shaft	1	⊕ ▲						
	650250	Linguetta	Key	1							

Ⓢ Compreso nel cod. 1949010 / Part of part n° 1949010

④ Compreso nel cod. 1949011 / Part of part n° 1949011

SIMBOLOGIA - SYMBOLS

● Per / For	○ Per / For	⊕ Per / For	▲ Per / For
Ø 20 XW 15.15 cod. 20352 XW 15.20 cod. 20353	Ø 20 XW 21.20 cod. 20714 XW 21.25 cod. 20058 XW 21.28 cod. 21136	Ø 20 XW 26.12 cod. 20175 XW 26.15 cod. 20176 XW 26.20 cod. 20059 XW 26.23 cod. 20177	Ø 22 XW 30.10 cod. 20178 XW 30.15 cod. 20179 XW 30.20 DX cod. 20060 XW 30.20 SX cod. 20270 XW 30.25 cod. 21137

- C Tolleranza coppia di serraggio +0÷-10% / Tightening torque tolerance +0÷-10%
- ⊕ Avvitare con Loxeal 55-14 / Screw with Loxeal 55-14
- ⊗ Lubrificare con grasso Molykote PG54 solo sul diametro INTERNO / Lubricate with grease Molykote PG54 on the INNER diameter only
- (a) Montare con attrezzo speciale cod. 1940670 / Fit with special tool code nr. 1940670
- (b) Montare anello tenuta con attrezzo cod. 1941990 / Fit the seal with tool code nr. 1941990
- Ⓢ Posizionamento targa di identificazione / Identification plate positioning

PARTI SPECIALI IN VITON SPECIAL PARTS

Cod. - Part n°	Denominazione - Description	Qtà - Q.ty
2778	Tenute acqua/Water seals ø 20	1
2779	Tenute acqua/Water seals ø 22	1

Olio - Oil

Tipo / Type	Quantità / Quantity
SAE 15W40	0,9 Kg

KIT RICAMBI - PART KITS

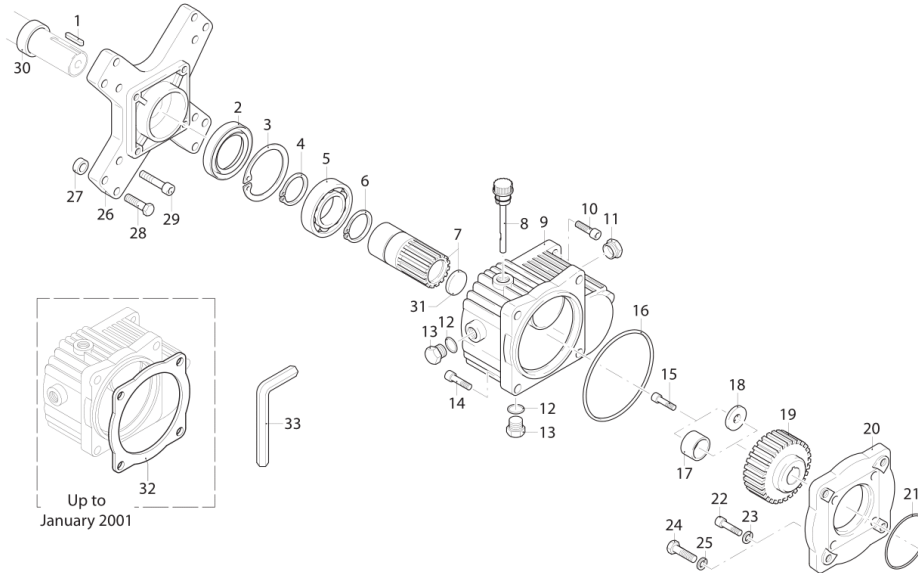
A=KIT 2780 valvole valves		B=KIT 2650 ø 20 pistoni pistons		B=KIT 1891 ø 22 pistoni pistons		C=KIT 2873 tenute olio oil seals	
Pos.	Q.ty	Pos.	Q.ty	Pos.	Q.ty	Pos.	Q.ty
5	6	19	3	19	3	25	2
6	6					37	1
						42	1
						43	3

E=KIT 2782 ø 20 tenute acqua water seals		E=KIT 2783 ø 22 tenute acqua water seals		H=KIT 2784 ø 20 guida pistoni pistons guide		H=KIT 2785 ø 22 guida pistoni pistons guide	
Pos.	Q.ty	Pos.	Q.ty	Pos.	Q.ty	Pos.	Q.ty
12	3	12	3	13	3	13	3
14	3	14	3	15	3	15	3
16	3	16	3				
51	3	51	3				

CR 1" for XT, XM, RK, RG, RW, XW, SXW series

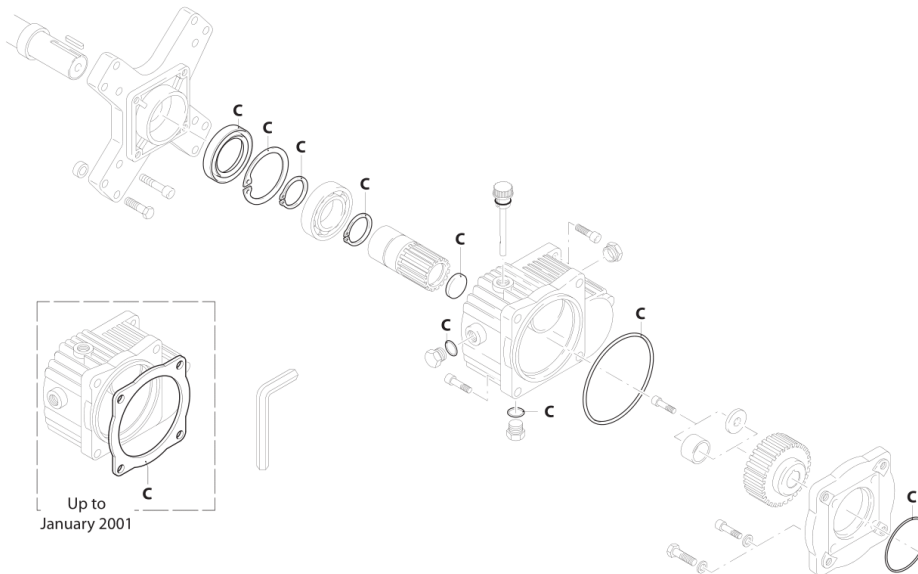


Cilindrico
Cylindrical
Ø 1"
SAE J 609a



UN00_4118-EN

KIT RICAMBI / PART KITS



(1388200 per/for 1693-1697-1699) (1388170 per/for 1695-1690) (1388190 per/for 1693)

UN00_4119-LN

ITEM NO.	PART NO.	PART NAME	QTY
C	DPW4-2571	GEARBOX OIL SEALS KIT	1
1A	DPW4-2807	PUMP ASSEMBLY BRACKET	1
8	DPW4-1140370	DIPSTICK, PUMP AND GEARBOX	1

CR 1" for XT series / CR 1" for XM, RK series / CR 1" for RG,RW, XW, SXW series

CR 1" for XT series (1693) CR 1" for XM, RK series (1690) CR 1" for RG, RW, XW, SXW series (1697)
CR 1" for XM, RK series (1689) CR 1" for RG, RW, XW, SXW series (1698)

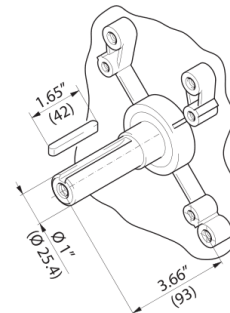


Pos.	Cod.	Denominazione	Description	Qt	Note
1	960770	Linguetta	Key	1	
2	961800	Anello tenuta	Ring	1	○ ● ⊕
	1941920	Anello tenuta	Ring	1	▼ ▲ Viton
3	961790	Anello seeger Øi 68	Ring	1	
4	320240	Anello seeger Øe 40	Ring	1	
5	961781	Cuscinetto	Bearing	1	
6	320240	Anello seeger Øe 40	Ring	1	⊕ ▼
7	1389001	Pignone Z=23	Pinion	1	○ ● ▼
	1389000	Pignone Z=21	Pinion	1	⊕ ▲
8	1140370	Tappo	Plug	1	
9	1320910	Scatola	Box	1	
10	881940	Vite TCEI M8x25	Screw	4	⊕ C=24Nm
11	1983700	Indicatore livello	Level gauge	1	▼ ▲ C=20Nm
	1980290	Indicatore livello 3/8" G	Level gauge	1	○ ● ⊕ C=8Nm
12	740290	Guarnizione OR Ø 14x1,78	O-ring	2	
13	1980740	Tappo 3/8" G ottone	Plug	2	C=20Nm
14	160671	Vite TCEI M10x25	Screw	4	⊕ C=24Nm
15	880280	Vite TCEI M6x18	Screw	1	⊕ C=10Nm
16	1520590	Guarnizione OR Ø 107,67x1,78	O-ring	1	From January 2001 onwards
17	1940500	Distanziale	Spacer	1	▼ ▲
18	780230	Rondella	Washer	1	○ ● ⊕
19	1322940	Ruota dentata Z=45	Gear	1	○
	1321230	Ruota dentata Z=45	Gear	1	○ ● ▼
20	1320960	Ruota dentata Z=47	Gear	1	⊕ ▲
	1320920	Flangia	Flange	1	○
21	1320930	Flangia	Flange	1	○ ● ▼ ▲
	650920	Guarnizione OR Ø 53,65x2,62	O-ring	1	○
22	640030	Guarnizione OR Ø 59,99x2,62	O-ring	1	○ ● ▼ ▲
	780330	Vite TCEI M6x20	Screw	4	○ ⊕ C=10Nm
23	1341020	Rondella	Washer	4	○
24	180432	Vite TE M8x20	Screw	4	⊕ ● XM-XMA ⊕ C=24Nm
	390450	Vite TE M8x30	Screw	4	▼ ▲ RK, XW, SXW, RG ⊕ C=24Nm
25	1260100	Rondella	Washer	4	○ ● ▼ ▲
26	1320940	Flangia	Flange	1	
27	961770	Distanziale	Spacer	4	
28	961900	Vite 3/8"	Screw	4	
29	651000	Vite TCEI 5/16" 24 UNF 1"	Screw	4	
30	1382540	Distanziale	Spacer	1	○ ● ▼ ▲
31	1382530	Tappo	Plug	1	

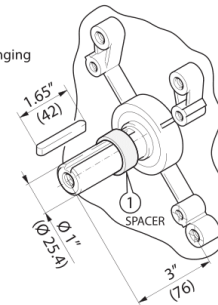
Pos.	Cod.	Denominazione	Description	Qt	Note
32	1320990	Guarnizione	Gasket	1	Up to January 2001
	1380630	Chiave di manovra	Key	1	

1" SHAFT (Ø 25.4 mm) GAS ENGINES - KEY USAGE INSTRUCTIONS
(Ref. REDUCTION GEARBOXES AR codes 1689-1690-1697-1698)

LONG SHAFT GAS ENGINES
NOTE: Use 1.5" key (38 mm) **ONLY** for LONG SHAFT gas engines (3.66")



SHORT SHAFT GAS ENGINES
NOTE: Use 1.65" key (42 mm) **ONLY** for SHORT SHAFT gas engines for outputs ranging from 9 to 20 HP



Measurement are in INCHES (mm)

cod. 1382520 - 06.05.02

KIT RICAMBI - PART KITS

C=KIT 2793 ○ tenute olio oil seals				C=KIT 2525 ● ⊕ tenute olio oil seals			
Pos.	Q.ty	Pos.	Q.ty	Pos.	Q.ty	Pos.	Q.ty
2	1	32	1	2	1	32	1
3	1			3	1		
4	1			4	1		
12	2			6	1		
16	1			12	2		
21	1			16	1		
31	1			21	1		

C=KIT 2571 ▼ ▲ tenute olio oil seals							
Pos.	Q.ty	Pos.	Q.ty	Pos.	Q.ty	Pos.	Q.ty
2	1						
3	1						
4	1						
12	2						
16	1						
21	1						
32	1						

SIMBOLOGIA - SYMBOLS

For XT series	For XM, RK series	For RG, RW, XW, SXW series
○ Per / For cod. 1693 1:2	● Per / For cod. 1690 1:2 ⊕ Per / For cod. 1689 1:2,24	▼ Per / For cod. 1697 1:2 ▲ Per / For cod. 1698 1:2,24

- C Tolleranza coppia di serraggio +0--10% / Tightening torque tolerance +0--10%
- ⊕ Avvitare con Loxeal 55-14 / Screw with Loxeal 55-14
- ⊕ Sigillare con Arexons Mastice / Seal with Arexons adhesive

Olio - Oil

Tipo / Type	Quantità / Quantity
ISO VG 220	0,21 Kg