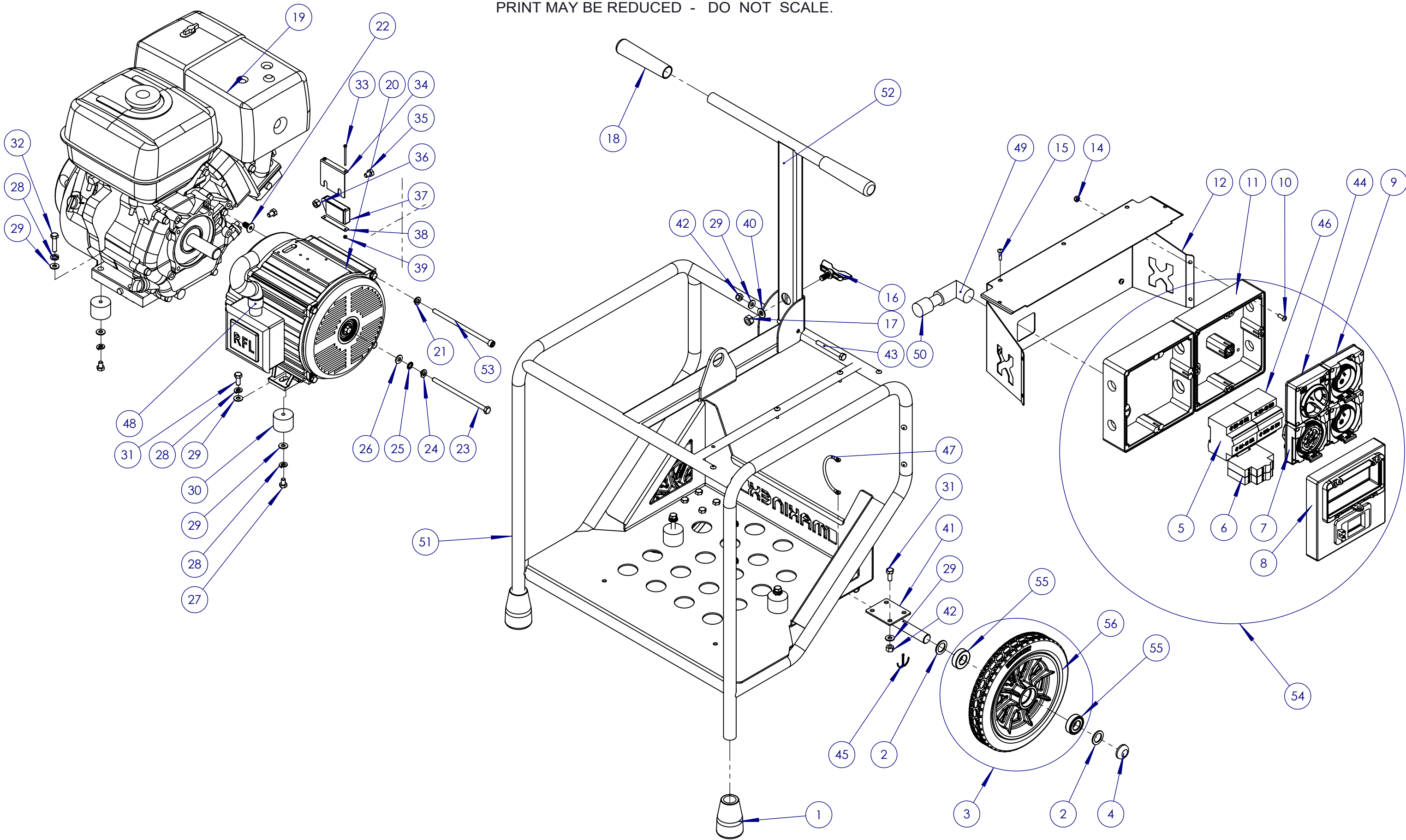


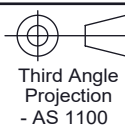
PRINT MAY BE REDUCED - DO NOT SCALE.



Sydney (Head Office) Ph: 1300 795 953
 15 Waltham St
 Artarmon, 2064
 NSW, Australia
www.makinex.com.au
sales@makinex.com.au

COPYRIGHT 2024 MAKINEX.
 WARNING: Copyright in this drawing remains the property of MAKINEX and copying in whole or part is not permitted without the written authority of the copyright owner.

GENERAL TOLERANCES
 (Unless otherwise noted)
 0-100mm: ± 0.25 mm
 100mm - 500mm: ± 0.5 mm
 500mm +: ± 1.0 mm
 Angular: ± 1 deg.



DATE: 30/07/2024

SCALE: D.N.S A3

All Dimensions are in Millimetres
 Break All Sharp Corners and
 Remove Burrs & Swarf



PROJECT:

DWG NO.

GEN-10P-AU-240-20

NOTES:

TITLE
 GENERATOR 10kVA PETROL, AUS-SPEC
 240V-20A

MATERIAL	FINISH	MASS	REV
SEE PARTS	SEE PARTS		007

DRN: WW

SHEET 1 OF 5


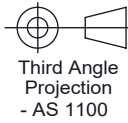
PRINTED: 30/07/2024

PRINT MAY BE REDUCED - DO NOT SCALE.

ITEM NO.	PART NO.	PART NAME	QTY	SPARE PARTS
1	MAK-UP-20	RUBBER FEET 25MM	2	Y
2	MAK-UP-06	NYLON WASHER 20MM	4	Y
3	MAK-UP-00-A	MAKINEX WHEEL 250MM inc bearings	2	Y
4	MAK-UP-04	AXLE CAP 20MM	2	Y
5	MAK-UP-215	RCD 4P 25A A TYPE 6KA	1	Y
6	MAK-UP-89	16A RCBO SINGLE PHASE 1 POLE	2	Y
7	GENS-04-08	20A 5 PIN 3 PHASE SOCKET	1	Y
8	MAK-UP-212	ENCLOSURE COVER, DOUBLE WINDOW 200mm x 200mm	1	Y
9	MAK-UP-77	SINGLE PHASE OUTLET 15A	2	Y
10	MAK-UP-581	M6X16 BHSC BOLT Z/P	4	N
11	MAK-UP-212-10	MOUNTING BOX, 8 MODULE 10kVA 400mm x 200	1	Y
12	GEN-10P-01-07	SWITCH BOX MOUNTING BRACKET	1	Y
13	MAK-UP-564	M6 FLAT WASHER (MEDIUM)	4	N
14	MAK-UP-503	M6 NYLOC NUT	4	N
15	MAK-UP-504	1/4" HUCK RIVET	9	N
16	MAK-UP-23	GENERATOR HANDLE LOCK(SILVER)	1	Y
17	MAK-UP-543	M10 NYLOC NUT	1	N
18	MAK-UP-07	RUBBER HANDLE GRIP	2	Y
19	GX390-UT2-VX8	HONDA GX390 PULL START	1	Y
20	RF2-12.5-2	ALTERNATOR, 10kVA,240V,50Hz	1	Y
21	MAK-UP-527	3/8" SPRING WASHER	4	N
22	MAK-UP-525	3/8" - 16 x 3/4" UNF CSK SOCKET BOLT	4	N
23	MAK-UP-635	5/16-24 x 5.7" UNF HEX HIGH TENSILE BOLT	1	Y
24	MAK-UP-526	5/16" SPRING WASHER	1	N
25	MAK-UP-524	5/16" SERRATED WASHER	1	N
26	MAK-UP-523	5/16" HIGH TENSILE WASHER	1	N
27	MAK-UP-519	M8X12 HEX BOLT Z/P	6	N
28	MAK-UP-516	M8 SPRING WASHER	8	N
29	MAK-UP-535	M8 FLAT WASHER (MEDIUM)	4	N
30	MAK-UP-25	ENGINE MOUNT(40mmX30mmX50 DURO)	4	Y
31	MAK-UP-520	M8X20 HEX BOLT Z/P	6	N
32	MAK-UP-518	M8X35 HEX BOLT Z/P	2	N

ITEM NO.	PART NO.	PART NAME	QTY	SPARE PARTS
33	MAK-UP-556	M3X45 HEX BOLT Z/P	2	N
34	MAK-UP-11-01	HOUR METER BRACKET	1	Y
35	MAK-UP-519	M8X12 HEX BOLT Z/P	2	N
36	MAK-UP-517	M8 HEX NUT	2	N
37	MAK-UP-11-03	VIBRATION ACTIVATED HOUR METER	1	Y
38	MAK-UP-11-02	HOUR METER BRACKET WASHER	1	Y
39	MAK-UP-557	M3 NYLOC NUT	2	N
40	MAK-UP-542	M10 FLAT WASHER (MEDIUM)	1	N
41	GENS-02W	AXLE WELDMENT	2	Y
42	MAK-UP-511	M8 NYLOC NUT	4	N
43	MAK-UP-565	M8X70 HEX BOLT Z/P	1	N
44	MAK-UP-78	3 PHASE SWITCH 20A	1	Y
45	MAK-UP-566	3MM SPLIT PIN	2	Y
46	MAK-UP-214	MCB 4P 20A D CURVE 6KA	1	Y
47	MAK-UP-107	EARTH CABLE 4MM ² X 200MM	1	Y
48	MAK-UP-108	STRAIGHT GLAND 25MM	1	Y
49	MAK-UP-109	ELBOW GLAND 25MM	1	Y
50	GEN-10P-04-02	CONDUIT 25mmX250mm	1	Y
51	GEN-10P-01W	FRAME WELDMENT	1	Y
52	GEN-10P-02W	HANDLE WELDMENT	1	Y
53	MAK-UP-585	M8X180 HEX BOLT Z/P	4	Y
54	GENS-04-00	ELECTRICAL PANEL 10KVA,240V,20A	1	Y
55	MAK-UP-01	WHEEL BEARING 20MM	4	Y
56	MAK-UP-00	MAKINEX WHEEL 250MM	2	Y

ALL THREAD PITCH IS COARSE UNLESS SPECIFIED OTHERWISE

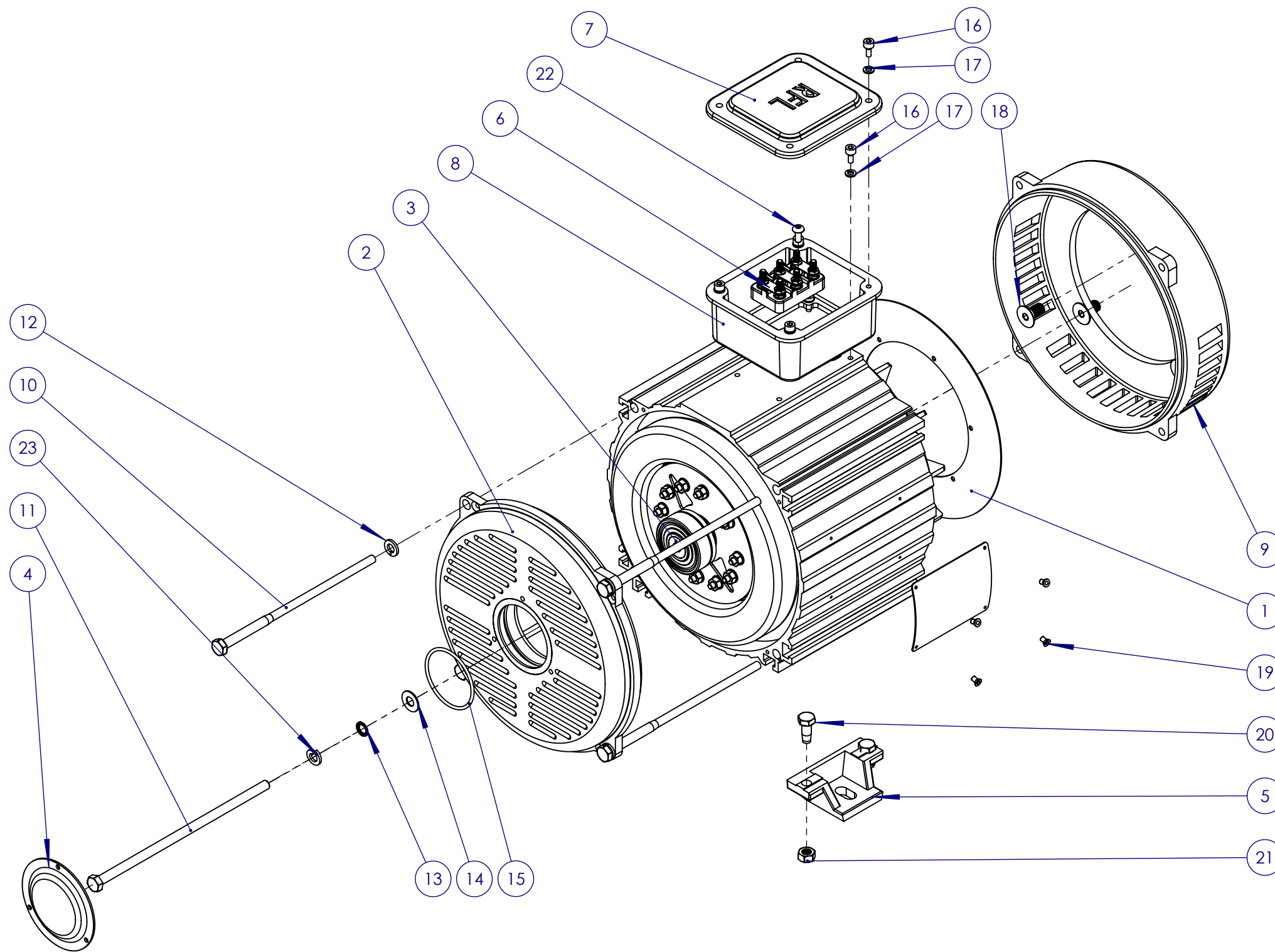
 <p>Sydney (Head Office) Ph: 1300 795 953 15 Waltham St Artarmon, 2064 NSW, Australia</p> <p>www.makinex.com.au sales@makinex.com.au</p>	COPYRIGHT 2024 MAKINEX. WARNING: Copyright in this drawing remains the property of MAKINEX and copying in whole or part is not permitted without the written authority of the copyright owner.	DATE: 30/07/2024	PROJECT:				DRN: WW	
	GENERAL TOLERANCES (Unless otherwise noted) 0-100mm: ± 0.25 mm 100mm - 500mm: ± 0.5 mm 500mm +: ± 1.0 mm Angular: ± 1 deg.	 Third Angle Projection - AS 1100	SCALE: D.N.S A3	DWG NO.	TITLE	MATERIAL	FINISH	MASS REV
	All Dimensions are in Millimetres Break All Sharp Corners and Remove Burrs & Swarf			GEN-10P-AU-240-20	GENERATOR 10kVA PETROL,AUS-SPEC 240V-20A	SEE PARTS	SEE PARTS	007

NOTES: BOM

SHEET 2 OF 5

PRINTED: 30/07/2024

PRINT MAY BE REDUCED - DO NOT SCALE.



ITEM NO.	PART NO.	PART NAME	QTY	SPARE PARTS
1	RF0056	FAN PLATE	1	N
2	RF0003	END CAP	1	Y
3	MAK-UP-26	ALTERNATOR END SHAFT BEARING	1	N
4	RF0114	BOLT CAP	1	N
5	RF0014	LEG	2	N
6	RF0061	TERMINAL BLOCK	1	Y
7	RF0013	TERMINAL BOX LID & RUBBER	1	N
8	RF0012	TERMINAL BOX	1	N
9	RF0256	CASING FLANGE, J609	1	Y
10	MAK-UP-585	M8X180 HEX BOLT Z/P	4	N
11	MAK-UP-635	5/16-24 x 5.7" UNF HIGH TENSILE BOLT	1	Y
12	MAK-UP-516	M8 SPRING WASHER	4	N
13	MAK-UP-524	5/16" SERRATED WASHER	1	N
14	MAK-UP-523	5/16" HIGH TENSILE WASHER	1	N
15	P5002	M54 O-RING	1	N
16	MAK-UP-578	M5X16 SOCKET HEAD CAPSCREW Z/P	8	N
17	MAK-UP-632	M5 SPRING WASHER	8	N
18	MAK-UP-525	3/8" - 16X3/4" UNF CSK SOCKET BOLT	4	N
19	MAK-UP-634	5/32" BLIND RIVET	4	N
20	MAK-UP-519	M8X12 HEX BOLT Z/P	4	N
21	MAK-UP-511	M8 NYLOC NUT	4	N
22	MAK-UP-609	M5X12 BUTTON HEAD SOCKET Z/P	2	N
23	MAK-UP-526	5/16" SPRING WASHER	1	N

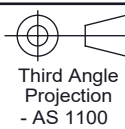
ALL THREAD PITCH IS COARSE UNLESS SPECIFIED OTHERWISE



Sydney (Head Office) Ph: 1300 795 953
 15 Waltham St
 Artarmon, 2064
 NSW, Australia
 www.makinex.com.au
 sales@makinex.com.au

COPYRIGHT 2024 MAKINEX.
 WARNING: Copyright in this drawing remains the property of MAKINEX and copying in whole or part is not permitted without the written authority of the copyright owner.

GENERAL TOLERANCES
 (Unless otherwise noted)
 0-100mm: ± 0.25 mm
 100mm - 500mm: ± 0.5 mm
 500mm +: ± 1.0 mm
 Angular: ± 1 deg.



DATE: 30/07/2024

SCALE: D.N.S A3

All Dimensions are in Millimetres
 Break All Sharp Corners and
 Remove Burrs & Swarf



PROJECT:

DWG NO.

RF2-12.5-2

NOTES:

PROJECT: DRN: WW

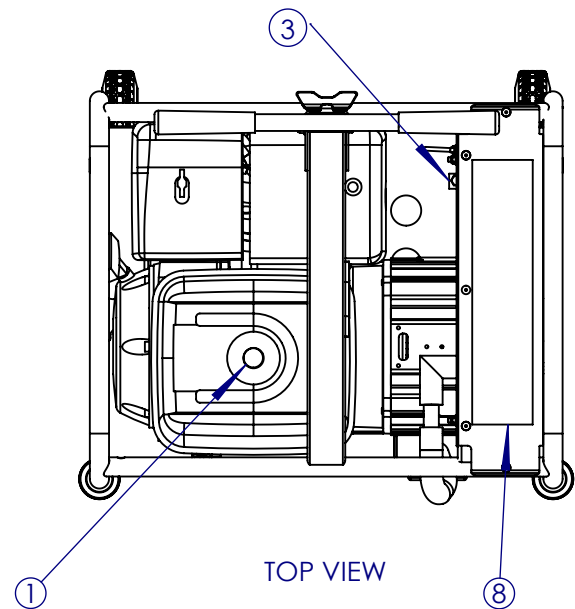
TITLE MATERIAL FINISH MASS REV

ALTERNATOR, 10kVA, 240V, 50Hz SEE PARTS SEE PARTS 007

SHEET 3 OF 5

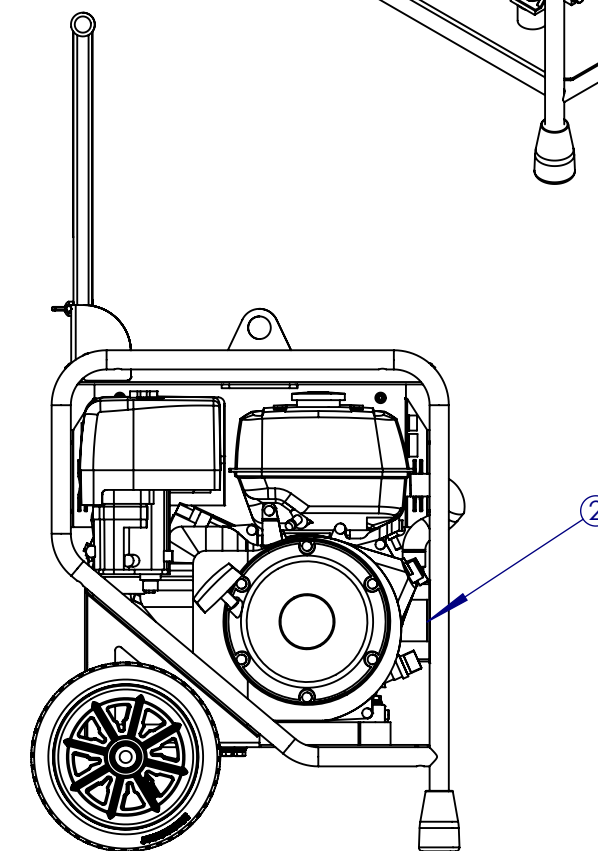
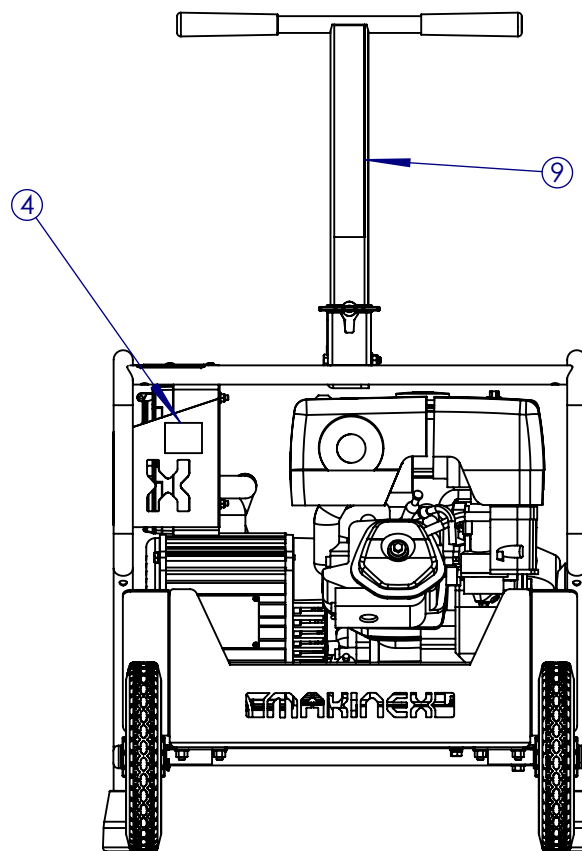
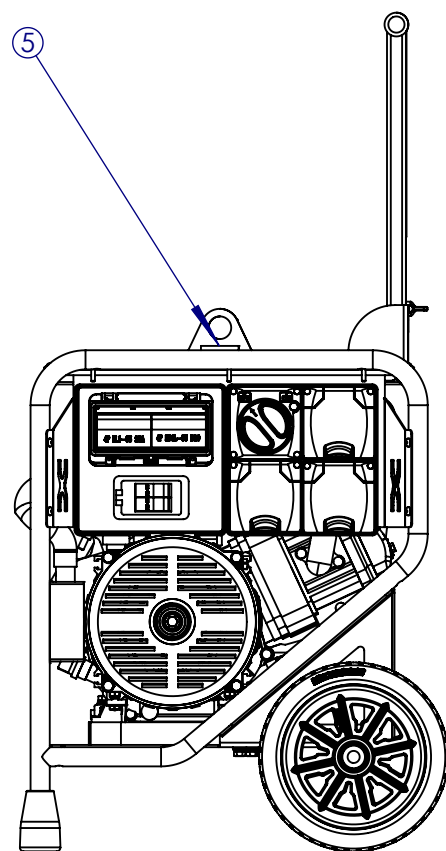
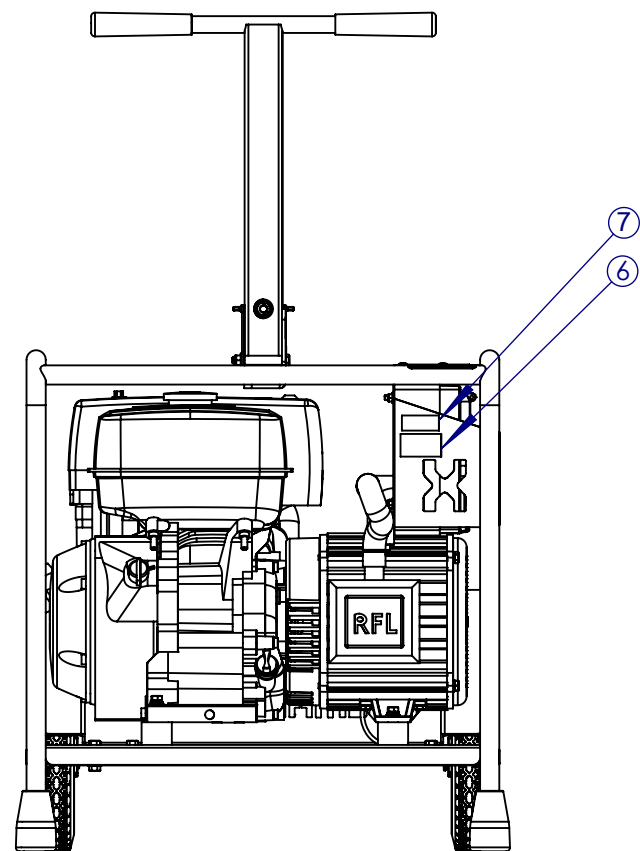
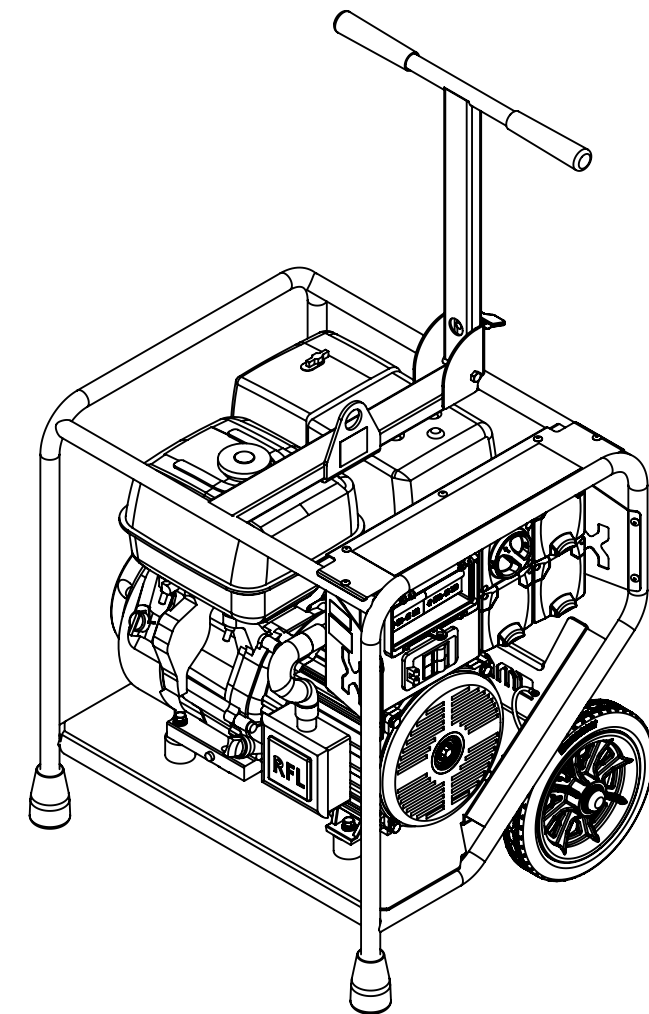
PRINTED: 30/07/2024

PRINT MAY BE REDUCED - DO NOT SCALE.



ITEM NO.	PART NO.	PART NAME	QTY
-	GEN-10P-08-00	DECAL SET	1
1	MAK-UP-94	STICKER-RE-FUEL WARNING	1
2	MAK-UP-115	STICKER-DANGER 240 VOLTS	1
3	MAK-UP-93	STICKER-EARTH	1
4	MAK-UP-91	STICKER-DANGER HIGH VOLTAGE	1
5	MAK-UP-16	STICKER-LIFTING POINT	1
6	MAK-UP-17	STICKER-MAKINEX SERVICE	1
7	MAK-UP-15	STICKER-MAKINEX SERIAL NUMBER	1
8	GEN-10P-08-01	STICKER-INSTRUCTIONS	1
9	MAK-UP-12	STICKER-MAKINEX LARGE	1

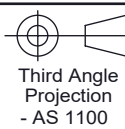
NOTE:
DECALS ARE SOLD AS A SET ONLY. DECAL SET PART NUMBER IS GEN-10P-08-00.



Sydney (Head Office) Ph: 1300 795 953
15 Waltham St
Artarmon, 2064
NSW, Australia
www.makinex.com.au
sales@makinex.com.au

COPYRIGHT 2024 MAKINEX.
WARNING: Copyright in this drawing remains the property of MAKINEX and copying in whole or part is not permitted without the written authority of the copyright owner.

GENERAL TOLERANCES
(Unless otherwise noted)
0-100mm: ± 0.25 mm
100mm - 500mm: ± 0.5 mm
500mm +: ± 1.0 mm
Angular: ± 1 deg.



DATE: 30/07/2024

SCALE: D.N.S A3

All Dimensions are in Millimetres
Break All Sharp Corners and Remove Burrs & Swarf



PROJECT:

DWG NO.

GEN-10P-AU-240-20

NOTES:

TITLE

GENERATOR 10kVA PETROL, AUS-SPEC 240V-20A

MATERIAL

SEE PARTS

FINISH

SEE PARTS

DRN: WW

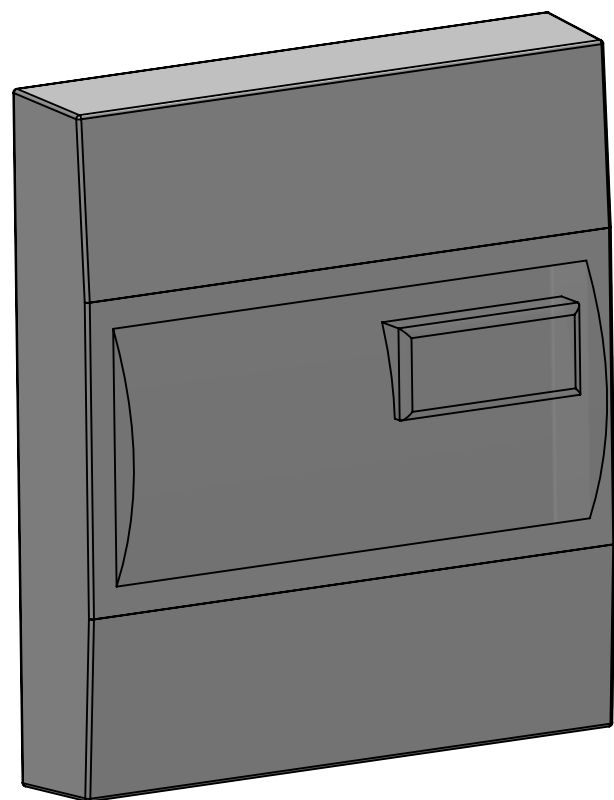
MASS REV

007

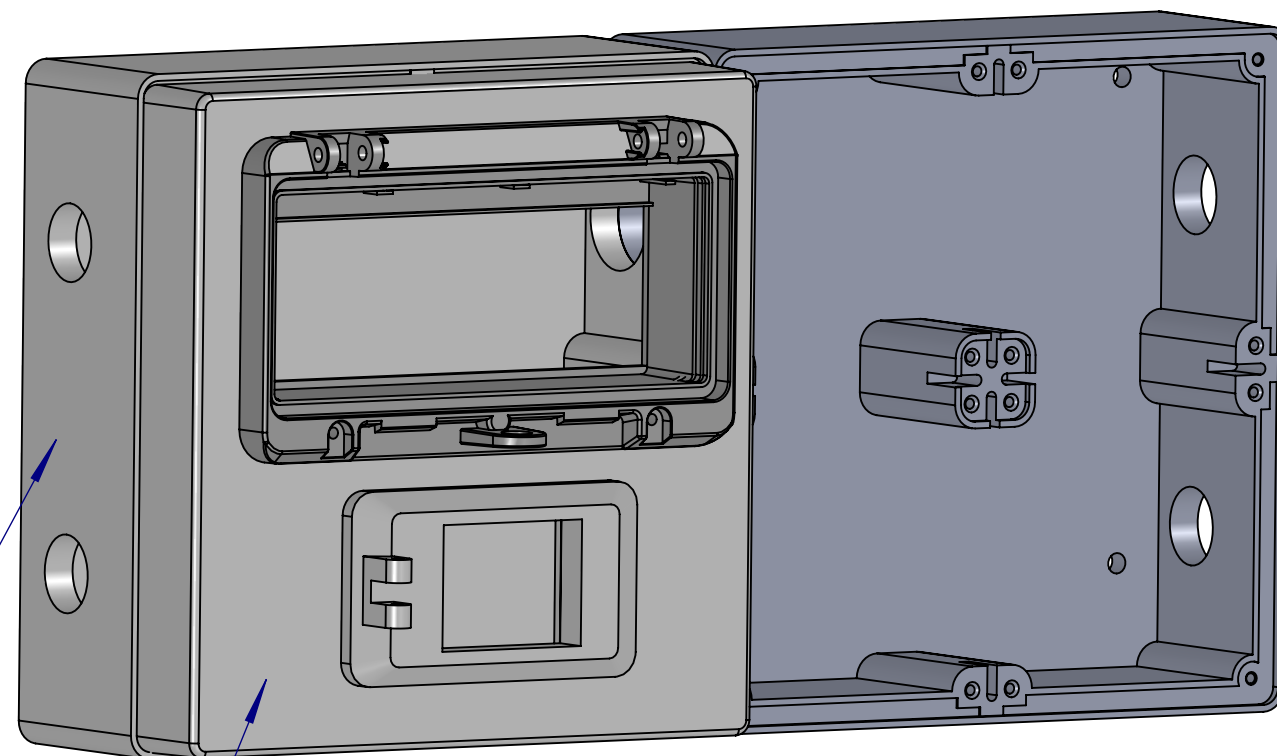
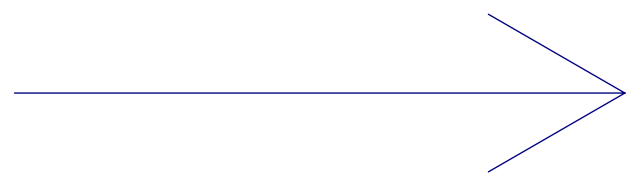
SHEET 4 OF 5

PRINTED: 30/07/2024

SINGLE WINDOW PANEL HAS BEEN OBSOLETE. IT IS NO LONGER AVAILABLE.
 UPGRADE TO DOUBLE WINDOW PANEL BY REPLACING THE ENCLOSURE COVER AND THE MOUNTING BOX [1].



OBSOLETE



[2] 11

[2] 8

CURRENT

NOTE:
 [1] MOUNTING BOX MUST BE REPLACED AS CURRENT ENCLOSURE COVER HAS DIFFERENT DIMENSIONS TO OBSOLETE ENCLOSURE COVER.
 [2] ITEM 8 IS ENCLOSURE COVER. ITEM 11 IS MOUNTING BOX. PLEASE REFER TO SHEET 2 BOM FOR PART NUMBERS.



Sydney (Head Office) Ph: 1300 795 953
 15 Waltham St
 Artarmon, 2064
 NSW, Australia
 www.makinex.com.au
 sales@makinex.com.au

COPYRIGHT 2024 MAKINEX.
 WARNING: Copyright in this drawing remains the property of MAKINEX and copying in whole or part is not permitted without the written authority of the copyright owner.

GENERAL TOLERANCES
 (Unless otherwise noted)
 0-100mm: ± 0.25 mm
 100mm - 500mm: ± 0.5 mm
 500mm +: ± 1.0 mm
 Angular: ± 1 deg.



DATE: 30/07/2024

SCALE: D.N.S A3

All Dimensions are in Millimetres
 Break All Sharp Corners and
 Remove Burrs & Swarf

25
 Denotes Critical Dimension

PROJECT:

DWG NO.

GEN-10P-AU-240-20

NOTES: OLD PANEL VS NEW PANEL

TITLE

GENERATOR 10kVA PETROL,AUS-SPEC 240V-20A

MATERIAL

SEE PARTS

FINISH

SEE PARTS

DRN: WW

MASS

007

SHEET 5 OF 5