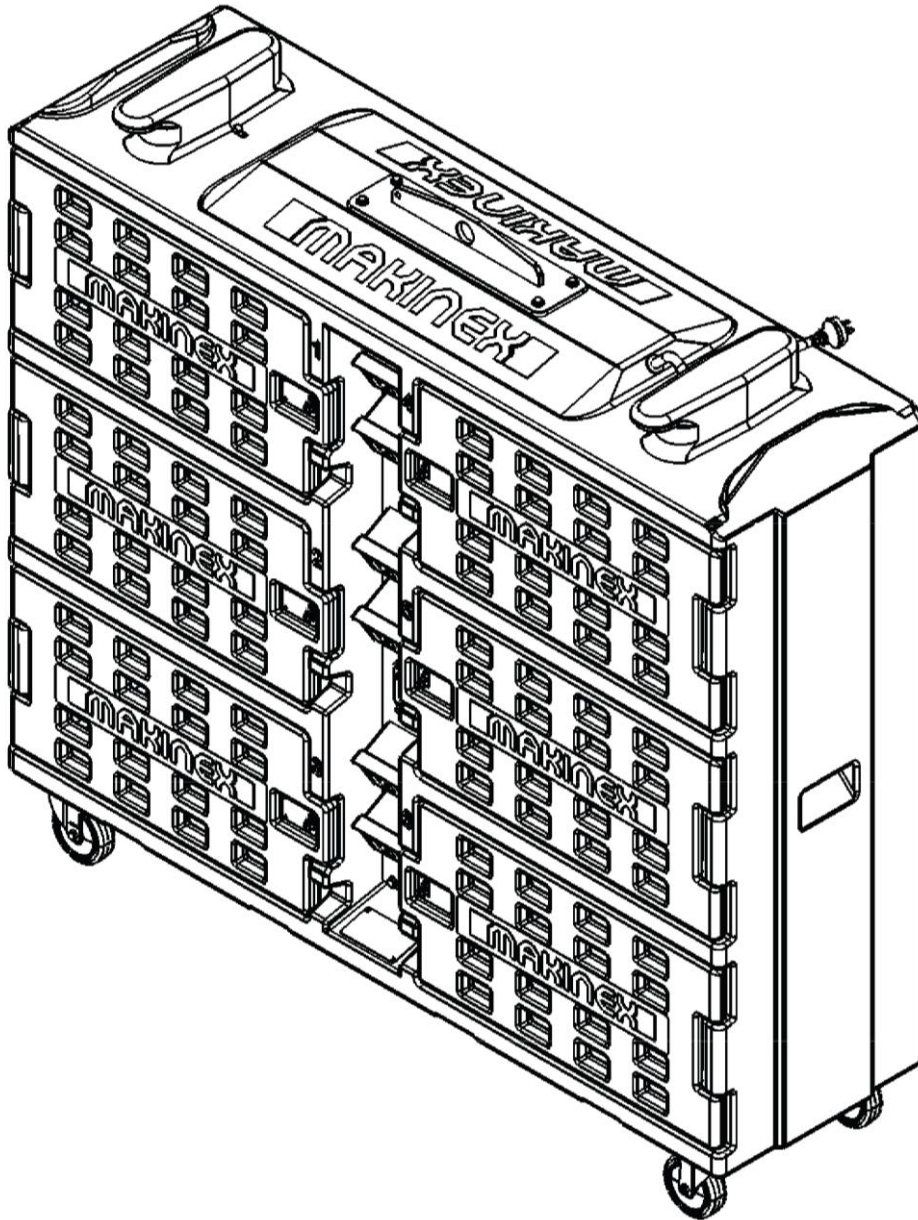




Mobile Charge Pod (MCP)

MCP-6-SS-AU



OPERATOR'S MANUAL

Rev 1021

Table of Contents

INTRODUCTION.....	1
DISCLAIMER	1
ABOUT THIS MANUAL.....	2
SAFETY INFORMATION.....	3
GENERAL SAFETY INFORMATION	3
GENERAL SAFETY DECAL	5
PRODUCT SPECIFICATIONS	6
FEATURES	6
OVERALL PRODUCT DIMENSIONS	7
MCP SPECIFICATIONS	7
INSTRUCTION FOR USE.....	8
OPERATING MCP	8
ASSEMBLING THE WHEELS.....	9
OPTIONAL: ASSEMBLING THE FORK POCKETS.....	10
USING THE CHAIN POINT.....	11
WALL MOUNTING	12
TIE DOWN POINTS	13
FORK POCKETS	14
MAINTENANCE.....	15
GENERAL RECOMMENDATIONS:.....	15
GENERAL TROUBLESHOOTING	16
STORAGE.....	17
LIMITED WARRANTY	18
WARRANTY EXCLUSIONS.....	19
OWNER'S RESPONSIBILITY UNDER LIMITED WARRANTY:.....	20
CONTACT INFORMATION	21
APPENDICES.....	22
APPENDIX A – WIRING CIRCUIT DIAGRAM	22
APPENDIX B – RISK ASSESSMENT	23

INTRODUCTION

Thank you for purchasing a MAKINEX product.

This manual provides information and procedures to safely operate and maintain the **MCP-6-SS-AU** Mobile Charge Pod. For your own safety and protection from injury, carefully read, understand, and observe the safety instructions described in this manual.

Keep this manual or a copy of it with the product. If you lose this manual or need an additional copy, please contact MAKINEX. This product is designed and built with user safety in mind; however, it can present hazards if improperly operated and serviced. If there are any questions regarding operating or servicing of this product, please contact MAKINEX.

All rights, especially copying and distribution rights are reserved.

Copyright 2021 by MAKINEX.

No part of this publication may be reproduced in any form or by any means, electronic or mechanical, including photocopying, without express written permission from MAKINEX.

Any type of reproduction or distribution not authorised by MAKINEX represents an infringement of valid copyrights and will be prosecuted. We expressly reserve the right to make technical modifications, even without due notice, which aim at improving our products or their safety standards.

DISCLAIMER

MAKINEX and its affiliates take no responsibility for any damage, injury or death resulting from the incorrect or unsafe use of this product. Use of this product should be undertaken by competent persons only. It is the operator's responsibility to ensure that the following safety procedures are followed. If you are unsure, do not operate this product.

Record the model and serial numbers as well as date and place of purchase for future reference. Have this information available when ordering parts and when making technical or warranty inquiries.

MAKINEX SUPPORT

Refer to contact details on pg. 21

MODEL NO.

MCP-6-SS-AU

SERIAL NO.






DATE OF PURCHASE

PURCHASE LOCATION

ABOUT THIS MANUAL

This manual uses the following symbols to help differentiate between different kinds of information. The safety symbol is used with a key word to alert you to potential hazards in operating and owning power equipment. Follow all safety messages to avoid or reduce the risk of serious injury or death.


KEY TERMS


 READ CAREFULLY	READ CAREFULLY – refers to <i>important information</i> that should be paid careful attention.
 CAUTION	CAUTION - indicates a potential hazardous situation which, if not avoided, <i>may</i> result in minor or moderate injury
 WARNING	WARNING – indicates a potentially hazardous situation which, if not avoided, <i>could</i> result in death or serious injury
 DANGER	DANGER – indicates an imminently hazardous situation which, if not avoided, <i>will</i> result in death or serious injury
 PROHIBITED	PROHIBITED – identifies actions that <i>should never</i> be carried out by anyone interacting with the product.


These safety warnings do not eliminate all possible hazards that could occur therefore it is essential to use common sense and to strictly follow any instructions to prevent accidents.

SAFETY INFORMATION

GENERAL SAFETY INFORMATION


WARNING Read this manual **thoroughly** before using your MCP. Failure to follow instructions could result in serious injury or death.


WARNING Instruct operators in care and use of the product before use!




WARNING Keep children away from MCP at all times.

- **ALWAYS** ensure the applied load does not exceed the rating of the installed breaker.
- **ALWAYS** disconnect the MCP from mains when carrying out any maintenance.
- **ALWAYS** plug in the MCP **BEFORE** applying loads.
- **ALWAYS** test the RCBO's before use.
- **ALWAYS** check the MCP electrical leads for damage before use.
- **ALWAYS** position electrical leads so that they will **NOT** create a tripping hazard.
- **NEVER** allow children or animals near the MCP.
- **NEVER** alter or tamper with the internal wiring of the MCP.
- **NEVER** operate in wet conditions.
- **NEVER** climb or stand on the MCP.

MCP POSITIONING FOR SAFE USE AND HANDLING

- **ALWAYS** leave at least a 400 mm gap between the front of the MCP door to any surrounding building or structure to allow the doors to open.
- **ALWAYS** ensure the MCP is on a solid, flat surface.
- **ALWAYS** ensure the surrounding area is free from anything that could burn or damage the MCP.
- **ALWAYS** activate the brakes when MCP is in position.
- **NEVER** tilt the MCP.
- **NEVER** attempt to lift or move the MCP without the assistance of other persons or suitable lifting equipment.
- Keep the unit horizontal when fork or sling loading/unloading

ELECTRICITY RELATED SAFETY PRECAUTIONS

 WARNING	RISK OF ELECTRICAL SHOCK • Risk of electrocution	 ELECTRICAL HAZARD
---	--	---

- **CAUTION** Only charge electrical equipment in the MCP that has current test tags according to AS/NZ 3760 and is free of any damage or misuse
- **ALWAYS** test the RCBOs before use.
- **ALWAYS** store the MCP undercover when not in use and away from damp or wet conditions.
- **ALWAYS** disengage the mains power when performing any maintenance.
- **NEVER** try to repair electrical components if not authorised or qualified.
- **NEVER** use the MCP outdoor when it is raining or snowing or in wet or damp conditions.
- **NEVER** use water or any other liquids to clean the unit while it is in use.
- **NEVER** use any damaged electrical cord sets with the MCP.

FIRE -RELATED SAFETY PRECAUTIONS

- **NEVER** leave any combustible materials near the MCP.

PRODUCT SPECIFICATIONS

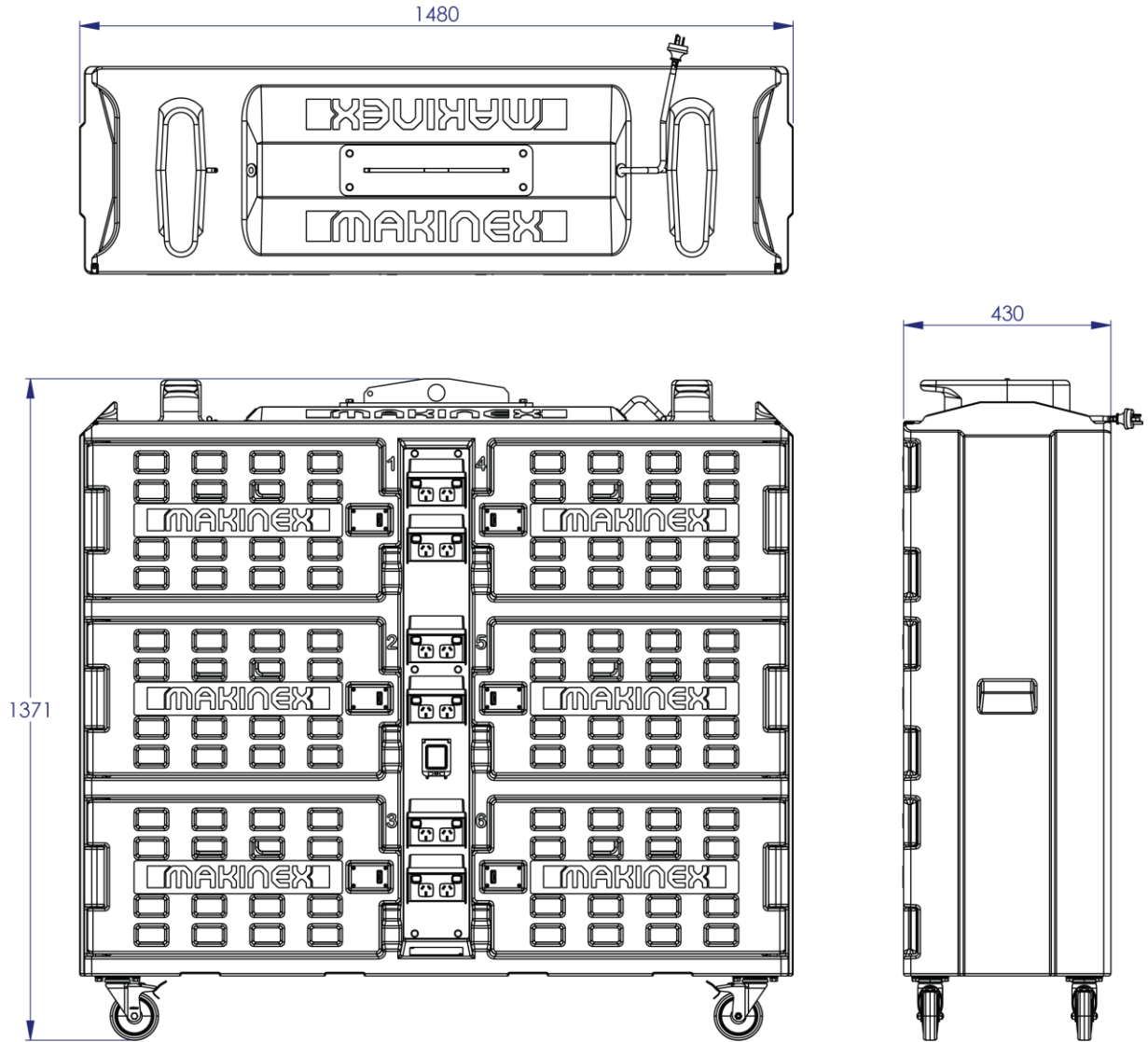
MCP:	
OUTLET SOCKETS	6 X Dual 2-Pole 10A Outlets
RCBO	16A Type A 30mA 2-Pole
SUPPLY LEAD	2.5mm ² 3-Core Flex Cable with 15A 3-Pin Plug
BODY MATERIAL	Fire Rated UL 94 V-2 HDPE
DRY WEIGHT (kg/lbs)	74/163
BODY DIMENSIONS (L X D X H) mm (in)	1480 x 430 x 1371
LOCKER DIMENSIONS (L X D X H) mm (in)	Dimensions at rear of locker 545 (21.5) x 300 (11.8) x 370 (14.6) Dimensions at front of locker 580 (22.8) x 330 (13.0) x 370 (14.6)

This product complies with AS/NZS 3190 and AS/NZS 3012 as a Portable Socket Outlet Assembly (PSOA). Suitable for construction sites.

FEATURES

FEATURES
Durable rotation moulded body
Four swivel wheels with brakes for easy manoeuvrability
Complies with AS/NZS 3190, AS/NZS 3012 and Fire Rating UL 94 V-2
IP 33 rated against dust and water ingress
Lifting point for transportation
Secure lock-up for charging valuable site equipment

OVERALL PRODUCT DIMENSIONS



Dimensions in mm

MCP SPECIFICATIONS

Makinex Pty Ltd
 15 Waltham Sreet
 Artarmon NSW 2064 Australia
 P +612 9460 8071 W makinex.com.au

MAKINEX
 CONSTRUCTION PRODUCTS

Complies with AS/NZS 3190 and AS/NZS 3012

PRODUCT	MOBILE CHARGE POD
MODEL	MCP-6-SS
SERIAL No.	
MASS (kg/lb)	74/163
DIMENSIONS (L X D X H) mm (in)	1480 (58) x 430 (17) x 1371 (54)
FIRE RATING	UL 94 V-2
APPROVAL NO.	NSW28445

INSTRUCTION FOR USE



Read and adhere to all safety and operation instructions.

OPERATING MCP



Always have the brakes engaged while it is stationary.

POWERING THE MCP

1. Remove all loads from the Dual 10A outlets.
2. Ensuring the mains power switch (if fitted) is in the 'off' position, unwind the electrical cable on top of the unit and connect it to the mains socket. Make sure no trip hazard is created from the cable.
3. Turn the mains switch to the 'on' position.
4. Ensure the breaker on the MCP is in the 'on' position (contact a qualified electrician if in the 'off' position).
5. The MCP now has power.

OPENING THE LOCKERS

The MCP comes with six (6) independent padlock-able lockers for storage-during-charging of electrical site equipment.

1. Place the charging equipment in the locker while feeding the electrical lead towards the centre of the MCP so it rests inside the cut-out between where the door closes and the body. Make sure the testing tag is left outside the locker for easy inspection.
2. After making sure the keys have not been left in the locker, close the door and replace the padlock.

CONNECTING ELECTRICAL DEVICES

The MCP can supply 230V AC through six (6) dual 10 amp double pole outlets.

1. Connect the appliance to the corresponding GPO.
2. Set the switch on the outlet to the 'on' position.

Note: Only charge electrical equipment in the MCP that has current test tags according to AS/NZ 3760 and is free of any damage or misuse

SHUTTING DOWN THE MCP

1. Turn all switches on the outlets to the 'off' position.
2. Turn the mains switch (if fitted) to the 'off' position, otherwise unplug from mains.

ASSEMBLING THE WHEELS

The wheels for the MCP, which you will find in one of the lockers, come pre-packaged with all required fasteners for assembly. Included in the package should be:

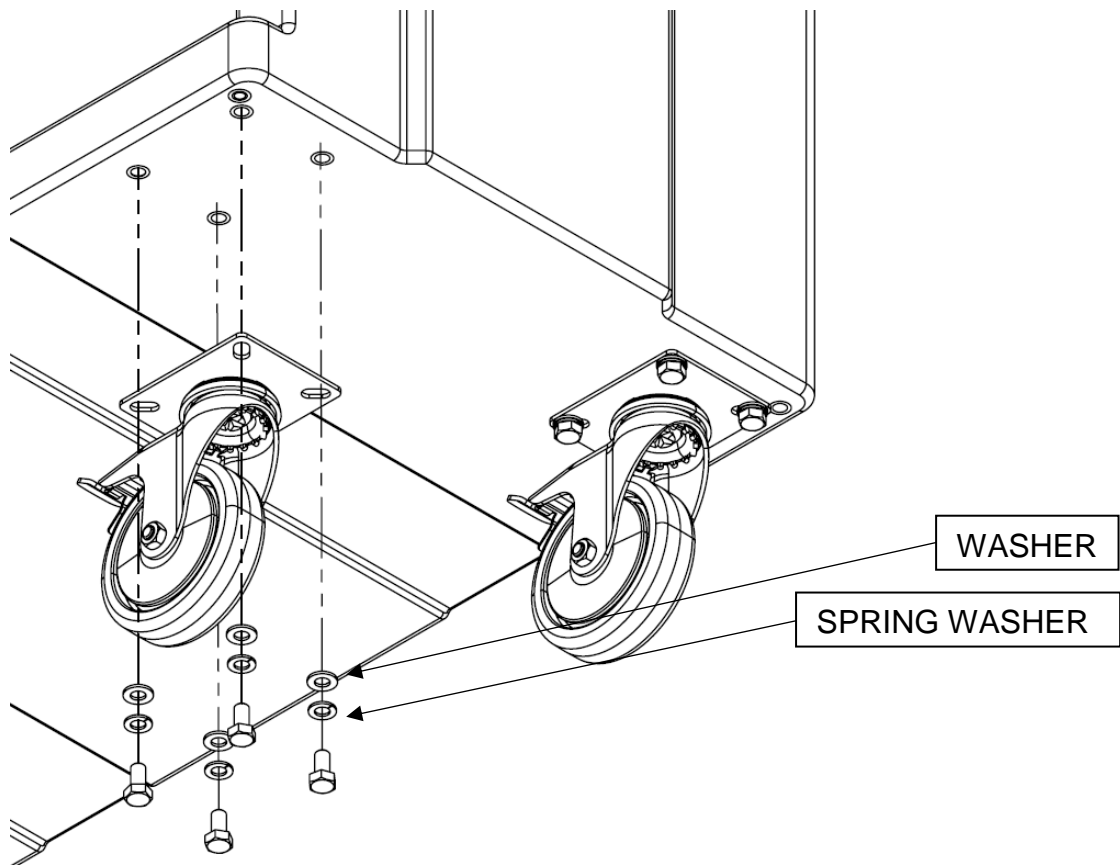
- 16 x M8x16 mm Hex Bolt
- 16 x M8 Washer
- 16 x M8 Spring Washer

The tools required for the install are:

- Ratchet or 13 mm Spanner
- 13 mm Socket to suit ratchet

To install the wheels:

1. Open the packaging containing the wheels and the fasteners
2. Each wheel will require four (4) M8x16 mm Hex Bolts, four (4) M8 Washers, and four (4) M8 Spring Washers.
3. As seen in the image below, fit a spring washer and washer, respectively, to the M8 bolt before passing it through the hole in the wheel and screwing it into the body.
4. Repeat steps 1-3 for each of the four boltholes on each of the four wheels, ensuring that the matching castors are fastened on the same short end of the body.



OPTIONAL: ASSEMBLING THE FORK POCKETS

The fork pockets for the MCP, which you will find in one of the lockers, come pre-packaged with all required fasteners for assembly. Included in the package should be:

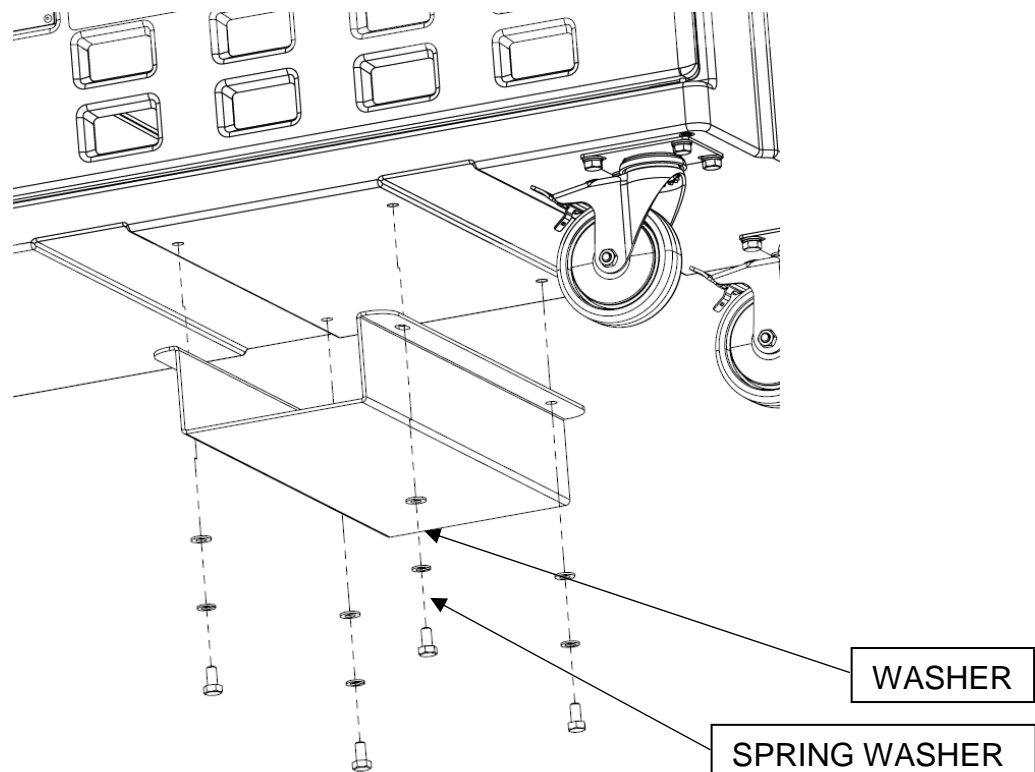
- **8 x M8x16 mm Hex Bolt**
- **8 x M8 Washer**
- **8 x M8 Spring Washer**

The tools required for the install are:

- Ratchet or 13 mm Spanner
- 13 mm Socket to suit ratchet

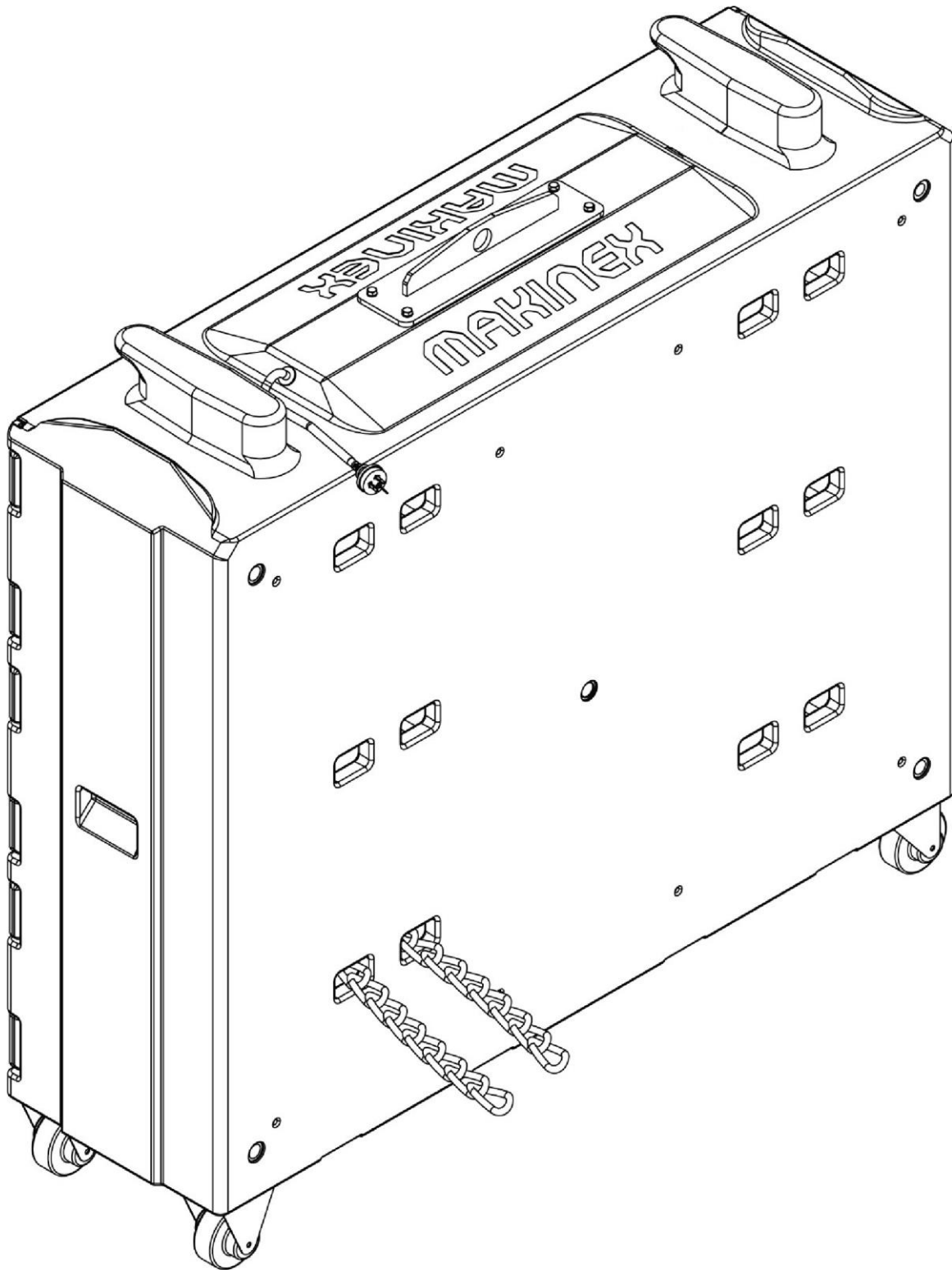
To install the fork pockets:

1. Open the packaging containing the fork pockets and the fasteners
2. Each fork pocket will require four (4) M8x16 mm Hex Bolts, four (4) M8 Washers, and four (4) M8 Spring Washers.
3. As seen in the image below, fit a spring washer and washer, respectively, to the M8 bolt before passing it through the hole in the fork pocket and screwing it into the body.
4. Repeat steps 1-3 for each of the four boltholes on each of the fork pockets.



USING THE CHAIN POINT

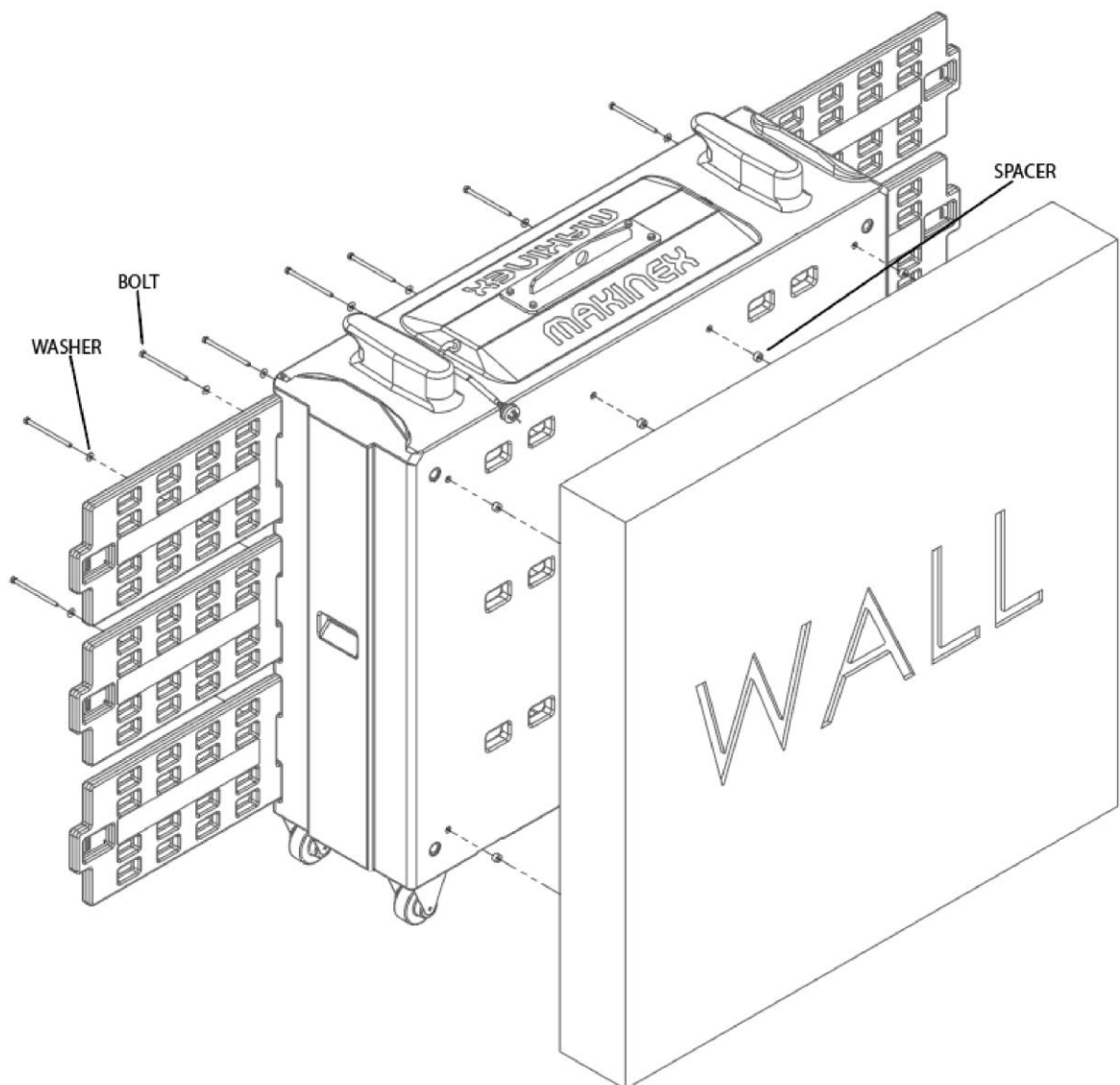
The rear of the MCP is designed such that a chain or other similar load-bearing device can be passed in and out of the openings on the back of the unit as pictured below. This is to allow the user to secure the MCP in place and prevent it unintentionally moving out of place.



WALL MOUNTING

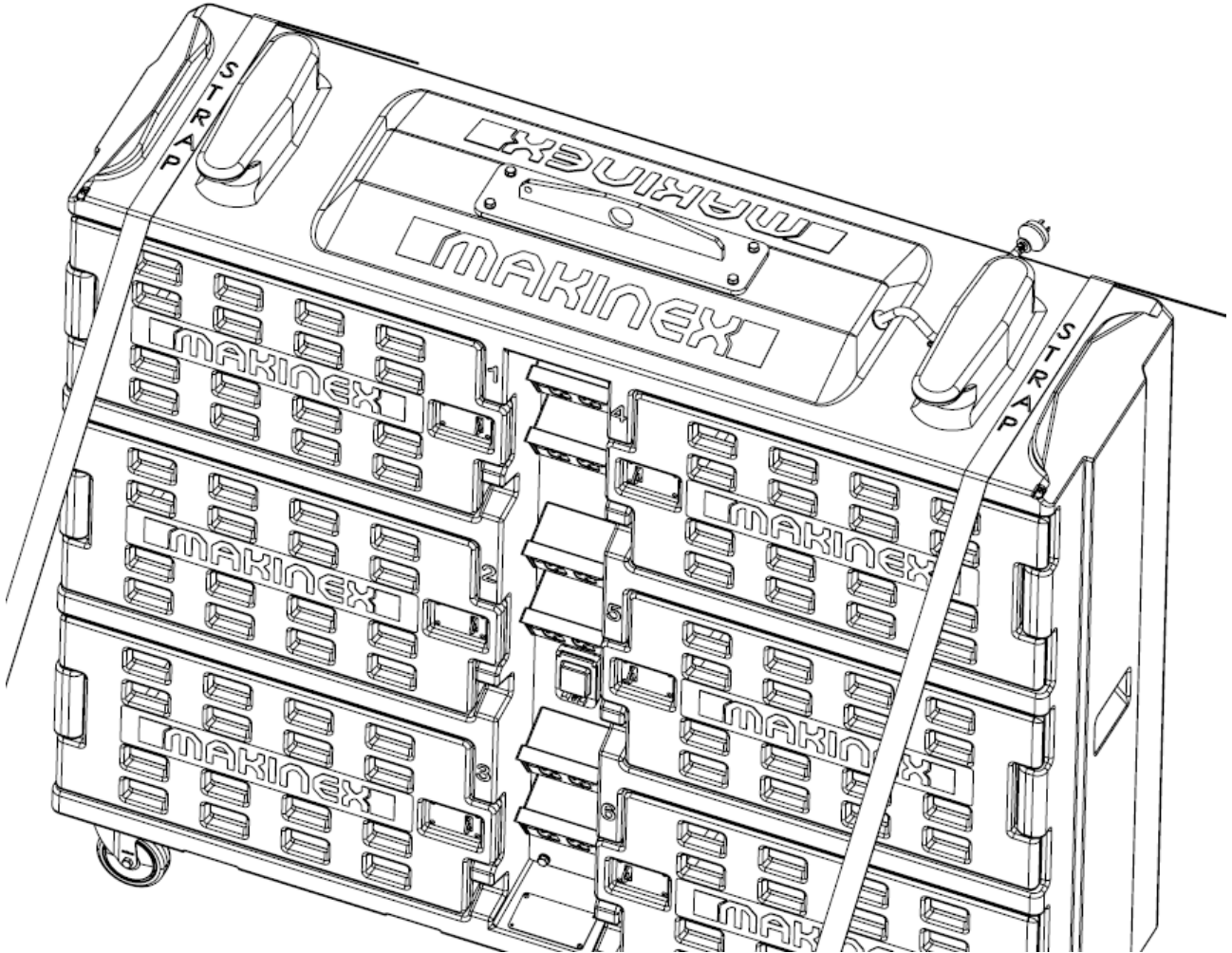
The MCP has eight (8) x 9 mm diameter wall mounting through holes on the rear of the body which can be used instead of, or in addition to, positioning the unit in place using the wheel brakes. When installing the unit in a wall mount setting, a spacer must be placed between the back of the unit and the wall. This is to allow the ventilation holes to remain unobstructed. The illustration below shows the method of installation.

Prior to mounting the unit, holes must be drilled to the appropriate size in the wall to receive the fasteners used to wall mount the unit. A typical M8 bolt will fit through the holes. Be sure to use the appropriate bolts depending on what surface the unit is being mounted to e.g. masonry, steel, wood fasteners etc., etc.



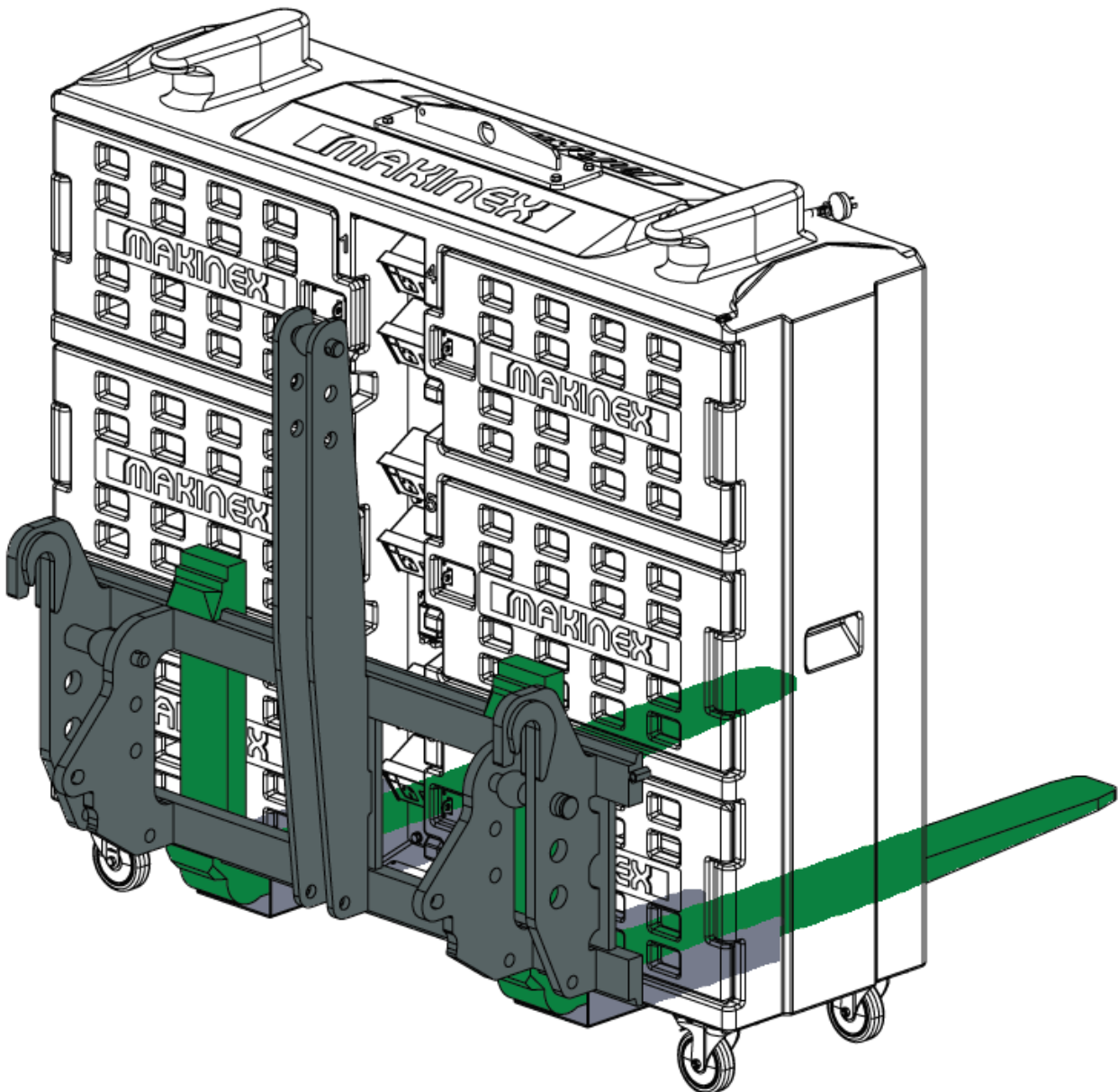
TIE DOWN POINTS

The MCP tie down points can be found at the top of the unit in between the cable cleats and short edge of the top of the unit. These tie down instructions are only applicable for when the MCP is in the upright position with all 4 castor wheel brakes engaged. The image below demonstrates how the tie down point should be used.



FORK POCKETS

The MCP comes fitted with forklift pockets which allow the unit to be safely moved with a forklift or similar machinery / equipment. When using the fork pockets, where possible, ensure the MCP is pushed up against the head board or similar support of the fork lift / lifting equipment. This will ensure the most stability during movement and minimize risk of injury. The transparent image below demonstrates how the MCP may be positioned on the tines of a forklift.



MAINTENANCE

GENERAL RECOMMENDATIONS:

Regular maintenance will extend the life of the MCP.

The MCP's warranty does not cover items that have been subjected to operator abuse or negligence. To receive full value from the warranty, the operator must maintain the MCP as instructed in this manual, including proper storage and appropriate servicing.

Should you have questions about replacing components on your MCP, please contact dealer for assistance. MAKINEX dealers have access to all the special tools, technical information, parts and training required to maintain your MAKINEX product in peak operating condition.

GENERAL MCP CHECKS

It is good practise to check the MCP before and after use, looking at:

- Electrical leads
- Condition of RCBO
- General purpose outlets are not damaged
- Condition of mains plugs
- Castor wheel condition
- Water damage
- Any possible leaks

GENERAL TROUBLESHOOTING

PROBLEM	POSSIBLE CAUSES	CORRECTIONS
MCP WILL NOT PROVIDE POWER	Damaged electrical lead	Contact qualified electrician
	Mains switch is in 'off' position	Turn mains switch to 'on' position
	RCBO is in 'off' position	Contact qualified electrician
	Outlet switch is in 'off' position	Turn outlet switch to 'on' position
	Equipment faulty	Inspect the condition of equipment being charged.
MCP WILL NOT MOVE	Brake is applied	Turn brakes to 'off' position on all wheels
	Damaged castor wheel	Contact dealer for replacement
	Castor wheel is clogged	Inspect wheel for debris and remove if possible
	Uneven terrain	Inspect surface for any obstructions
UNIDENTIFIED	Contact authorised Makinex dealer for assistance.	

For other problems or further instructions, contact your authorised Makinex dealer.

STORAGE

STORAGE OF MCP

To prolong the longevity of the MCP, it is best practice to store the MCP in a dry place, away from exposure to the weather. To keep the MCP in good working order, ensure:

1. Storage is in a dry place, sheltered from the elements of the weather.
2. Between uses, wipe down any surfaces which are especially dirty or covered in foreign debris.

LIMITED WARRANTY

To take advantage of the MAKINEX limited warranty, you must have maintenance performed according to the maintenance schedule by an authorised MAKINEX dealer or MAKINEX service technician. You are free to have your MAKINEX product serviced by any suitably qualified mechanic or electrician (depending on the mechanical or electrical requirement) and this will not affect your statutory warranties, however, failure by the owner to have the recommended servicing carried out by an authorised MAKINEX dealer/service technician means that you cannot take advantage of the MAKINEX limited warranty.

MAKINEX warrants each new MCP to be free from defects in material and workmanship under normal domestic and industrial use and service for the period specified below, conditional to the limitations and exclusions printed on this page. This warranty applies only to new MAKINEX product distributed by us and by our authorised MAKINEX dealers.

Under the limited warranty and at MAKINEX's discretion, upon evaluation, inspection and testing by a MAKINEX dealer or a MAKINEX service technician, MAKINEX will repair and replace of defective part(s).

AUSTRALIA: Our goods come with guarantees that cannot be excluded under the Australian Consumer Law.

WARRANTY: (Ex-factory/ Reseller premise)

MAKINEX warrants to the original purchaser:

- Frame and all Electrical components will be free of defects in material and workmanship for a period of one year from the original date of purchase.

WARRANTY EXCLUSIONS

This warranty does not cover the following repairs and equipment:

NORMAL WEAR

Product needs periodic service and genuine parts to perform well. This warranty does not cover repair when normal use has exhausted the life of a consumable part for example the oil filter and fuel filter.

INSTALLATION, USE, AND MAINTENANCE

This warranty will not apply to parts and/or labour if this product is deemed to have been misused, neglected, involved in an accident, abused, loaded beyond the products limits, modified and installed improperly.

OTHER EXCLUSIONS

This warranty excludes:

- Maintenance services cost.
- Expedited freight costs.
- Cosmetic damage such as paint, decals, etc.
- Problems caused by accidents, fire, improper storage, handling and shipping.
- Accessory parts such as starting batteries, fuses, spark plugs, and storage covers.
- Failures due to acts of God and other force majeure events beyond the manufacturer's control.
- Problems caused by parts that are not from the original manufacturer.

OWNER'S RESPONSIBILITY UNDER LIMITED WARRANTY:

It is the consumer's responsibility to deliver the product in question to our service premises or to the premises of our appointed agent at the consumer's expense for replacement or repair as applicable. Maintenance services are not covered under warranty.

Claim Procedure:

- Contact MAKINEX by phone or email informing us of your product's problem or defect.
- Once the extent of the claim has been assessed, we retain the right to compensate the consumer for such defect, or repair (parts & labour), or replace the product under warranty.
- All warranties will be carried out by MAKINEX authorised staff or appointed agents at a premise to be determined by the Manufacturer.
- It is the responsibility (and cost) of MAKINEX or our appointed agent to return the product to be repaired or replaced under warranty to the consumer- this is valid for domestic territories only (e.g. Australian units will be delivered within Australian territories and European units will be delivered within its designated country's territories).
- Where the specific warranty component is under a Manufacturer's warranty other than MAKINEX the consumer can either contact MAKINEX or the applicable manufacturer for repairs where such warranty was registered with that manufacturer at purchase.
- Warranty calls will only be carried out by our representatives and not via client's choice of repairer. We will not accept back charges for any work not carried out by our representatives or accept any charges due to equipment being un-operational for any reason even during its warranty period.

CONTACT INFORMATION

For sales, service, warranty and parts for all MAKINEX products; please refer below.

	SALES, SERVICE, SPARE PARTS & WARRANTY
AUSTRALIA	<p style="text-align: center;"><u>SALES</u></p> <p style="text-align: center;">TEL 1300 795 953 or +61 2 9460 8071 WEB www.makinex.com.au</p> <p style="text-align: center;"><u>SERVICE, SPARE PARTS & WARRANTY</u></p> <p style="text-align: center;">EMAIL service@makinex.com.au</p>
USA	<p style="text-align: center;"><u>SALES</u></p> <p style="text-align: center;">TEL +1 855-625-4639 WEB www.makinex.com</p> <p style="text-align: center;"><u>SERVICE, SPARE PARTS & WARRANTY</u></p> <p style="text-align: center;">EMAIL service@makinex.com</p>
UK	<p style="text-align: center;">WEB www.makinex.co.uk</p>
EUROPE	<p style="text-align: center;">TEL +31 (0)6 24881203 or +31 (0)6 50841849 EMAIL info@mtools.eu</p>
CHINA	<p style="text-align: center;">TEL +86 18951118278 EMAIL sales@makinex.com.cn</p>

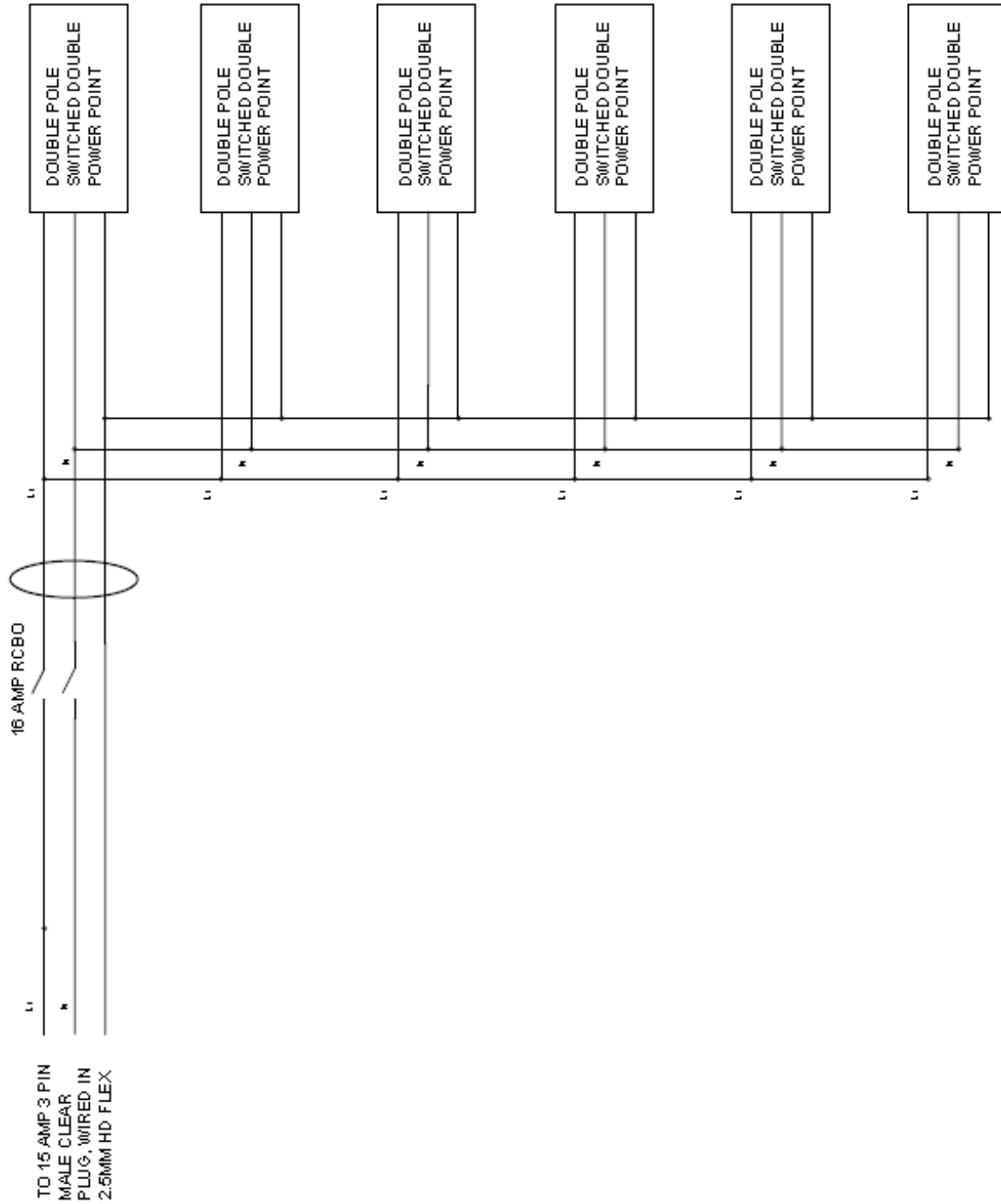
Or your nearest MAKINEX distributor

We have very knowledgeable, experienced staff to assist you with help and advice.



APPENDICES

APPENDIX A – WIRING CIRCUIT DIAGRAM



APPENDIX B – RISK ASSESSMENT

PRODUCT RISK / HAZARD ASSESSMENT TABLE					
Product Name: MOBILE CHARGE POD			Assessment By: Matthew Cape, Cameron Murrin (Makinex Pty Ltd)		
Manufacturer: MAKINEX PTY LTD			Document Revision Number: 1		
Operator Competency: FOLLOW MANUAL			2-Apr-21		
HAZARD	LIKELIHOOD	CONSEQUENCE	RISK	CONTROL ACTION	
CRUSHING DUE TO -					
PRODUCT FALLING OVER	3 UNLIKELY	4 NEGLIGIBLE	5 LOW	ENSURE UNIT IS USED ON FLAT, LEVEL SURFACE AND BRAKE'S ARE ENGAGED	
WHEEL RUNNING OVER LIMB	3 UNLIKELY	4 NEGLIGIBLE	5 LOW	ENSURE APPROPRIATE SAFETY APPAREL IS WORN	
SHEARING INJURY DUE TO -					
CLOSING DOOR ON LIMB	3 UNLIKELY	4 NEGLIGIBLE	5 LOW	ROUTINE MANAGEMENT OF PROPER USE	
CUTTING DUE TO -					
ENTANGLEMENT DUE TO -					
ELECTRICAL LEADS	2 LIKELY	3 MINOR	3 MEDIUM	SITE SAFETY OFFICER TO INSPECT PLACEMENT OF LEADS	
ANCHOR CHAIN	2 LIKELY	3 MINOR	3 MEDIUM	SITE SAFETY OFFICER TO INSPECT PLACEMENT OF CHAIN	
STRIKING DUE TO -					
PRODUCT ROLLING ON SLOPE / WIND	2 LIKELY	3 MINOR	3 MEDIUM	ENSURE BRAKES ARE ALWAYS ON WHEN UNATTENDED AND ANCHORED WITH CHAIN IN WINDY AREAS	
DROPPED DURING LIFTING	4 VERY UNLIKELY	2 MAJOR	4 MEDIUM	FREQUENT INSPECTION OF LIFTING EYE AND PROPER LIFTING EQUIPMENT AND TECHNIQUE	
ABRASION DUE TO -					
SLIP/ TRIP/ FALL DUE TO -					
ELECTRICAL LEADS	2 LIKELY	3 MINOR	3 MEDIUM	SITE SAFETY OFFICER TO INSPECT PLACEMENT OF LEADS	
ANCHOR CHAIN	2 LIKELY	3 MINOR	3 MEDIUM	SITE SAFETY OFFICER TO INSPECT PLACEMENT OF CHAIN	
FIRE DUE TO -					
USE OF FAULTY ELECTRICAL DEVICES	4 VERY UNLIKELY	2 MAJOR	4 MEDIUM	ALWAYS ENSURE TEST TAGS ARE CURRENT ON MCP AND ALL ITEMS STORED/CHARGED IN LOCKERS	
USE OF DAMAGED ELECTRICAL DEVICES	4 VERY UNLIKELY	2 MAJOR	4 MEDIUM	ALWAYS INSPECT MCP AND ITEMS BEING PLUGGED INTO THE MCP BEFORE USE	
ELECTROCUTION DUE TO -					
EXPOSED / DAMAGED LEADS	3 UNLIKELY	2 MAJOR	3 MEDIUM	FREQUENT INSPECTION OF ALL ELECTRICAL EQUIPMENT INCLUDING MAINS POWER LEADS WITH ALL EQUIPMENT TESTED AND TAGGED	

NOTES

THIS ITEM OF PLANT IS DESIGNED AND MANUFACTURED AS A CHARGING DEVICE FOR TESTED AND TAGGED EQUIPMENT ONLY.

THE PLANT IS NOT DESIGNED FOR, OR TO BE USED AS A DEVICE FOR POWERING EXTERNAL EQUIPMENT OR PLUGGING EXTENSION LEADS.

THIS DOCUMENT HAS BEEN PREPARED ACCORDING TO GUIDELINES AND RECOMMENDATIONS FROM:

1. 'HAZPAK' PRODUCED BY THE WORK-COVER AUTHORITY AND
2. THE AUSTRALIAN STANDARDS 4024.1.4/5 - 1996 'SAFEGUARDING OF MACHINERY - PART 1'

THE TERMS 'VERY LIKELY', 'LIKELY', 'UNLIKELY', 'VERY UNLIKELY' REFER TO PROBABILITY OF HAPPENING, BUT ARE QUALITATIVE AND BASED ON BEST ESTIMATION DUE TO CONSULTATION WITH THE MANUFACTURER.

RISK LEVEL IS DETERMINED USING THE 'RISK TABLE' AS SUGGESTED IN 'HAZPAK'. INHERENTLY, AS THE CONSEQUENCE INCREASES IN SEVERITY, RISK INCREASES - EVEN IF THE LIKELIHOOD IS LOW.

CONSEQUENCE TERMINOLOGY IS DEFINED BY THE WORK-COVER AUTHORITY:
NEGLIGIBLE = ABLE TO BE TREATED USING FIRST AID
MINOR = REVERSIBLE INJURIES REQUIRING SEVERAL DAYS OFF WORK
MAJOR = NORMALLY IRREVERSIBLE INJURIES REQUIRING SEVERAL WEEKS OFF WORK
FATALITY = DEATH

MAKINEX PTY LTD
PH: (02) 1300795953
sales@makinex.com.au

