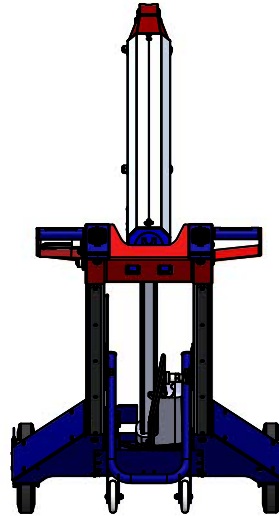
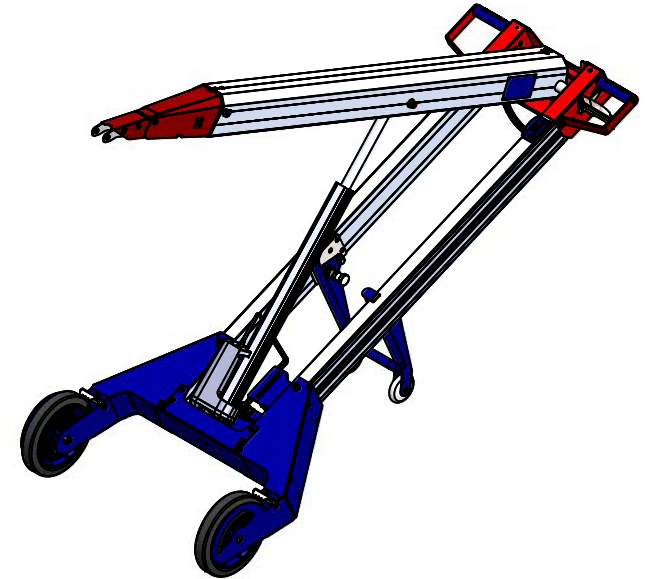


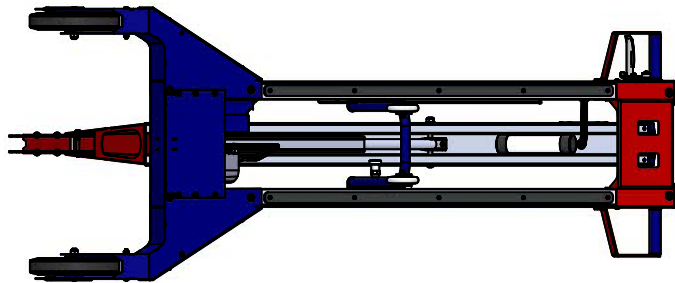
FRONT VIEW



SIDE VIEW



ISOMETRIC VIEW



BOTTOM VIEW



Sydney (Head Office)  
15 Waltham St  
Artarmon, 2064  
NSW, Australia  
Ph: 1300 795 953  
www.makinex.com.au  
sales@makinex.com.au

COPYRIGHT 2015 MAKINEX.  
WARNING: Copyright in this drawing remains the property of MAKINEX and copying in whole or part is not permitted without the written authority of the copyright owner.

GENERAL TOLERANCES  
(Unless otherwise noted)  
0-100mm: ± 0.25 mm  
100mm - 500mm: ± 0.5 mm  
500mm +: ± 1.0 mm  
Angular: ± 1 deg.



DATE: 2024/11/11

PROJECT: POWERED HAND TRUCK

DRN: MWC

SCALE: D.N.S | **A3**

DWG NO.

TITLE

MATERIAL

FINISH

MASS | REV

PHT2-00

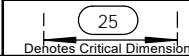
COMPLETE ASSEMBLY

SEE PARTS

SEE PARTS

001

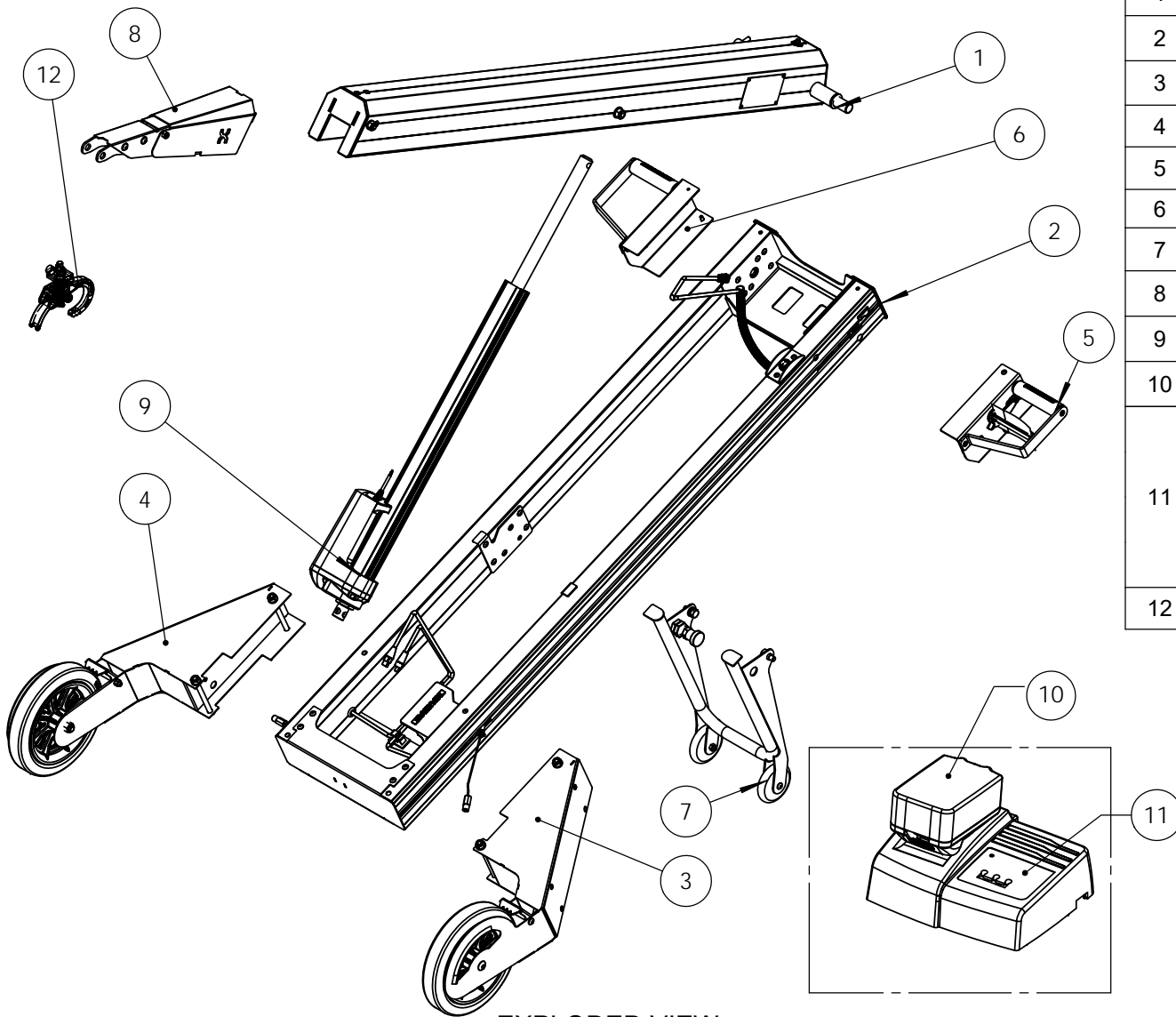
All Dimensions are in Millimetres  
Break All Sharp Corners and  
Remove Burrs & Swarf



NOTES:

SHEET 1 OF 13

PRINT MAY BE REDUCED - DO NOT SCALE



EXPLODED VIEW

ITEM NO.	PART NAME	PART NO.	QTY	SPARE PARTS(Y/N)
1	JIB ASSEMBLY	PHT2-01	1	N
2	FRAME ASSEMBLY	PHT2-02	1	N
3	LEFT WHEEL ASSEMBLY	PHT2-03L	1	Y
4	RIGHT WHEEL ASSEMBLY	PHT2-03R	1	Y
5	LEFT HANDLE ASSEMBLY	PHT2-04L	1	Y
6	RIGHT HANDLE ASSEMBLY	PHT2-04R	1	Y
7	FOLD WHEEL ASSEMBLY	PHT2-05	1	Y
8	NOSE HOOK ASSEMBLY	PHT2-06	1	N
9	ACTUATOR	PHT2-07-01	1	Y
10	BATTERY	PHT2-07-03	1	Y
11	CHARGER-AU	PHT2-07-04-AU	1	Y
	CHARGER-US	PHT2-07-04-US		
	CHARGER-EU	PHT2-07-04-EU		
	CHARGER-UK	PHT2-07-04-UK		
12	SELF-CLOSING HOOK	PHT2-08 -A	1	Y



Sydney (Head Office)  
15 Waltham St  
Artarmon, 2064  
NSW, Australia  
Ph: 1300 795 953  
www.makinex.com.au  
sales@makinex.com.au

COPYRIGHT 2015 MAKINEX.  
WARNING: Copyright in this drawing remains the property of MAKINEX and copying in whole or part is not permitted without the written authority of the copyright owner.

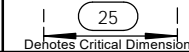
GENERAL TOLERANCES  
(Unless otherwise noted)  
0-100mm: ± 0.25 mm  
100mm - 500mm: ± 0.5 mm  
500mm +: ± 1.0 mm  
Angular: ± 1 deg.



DATE: 2024/11/11

SCALE: D.N.S A3

All Dimensions are in Millimetres  
Break All Sharp Corners and  
Remove Burrs & Swarf



PROJECT: POWERED HAND TRUCK

DWG NO.

PHT2-00

NOTES:

TITLE

COMPLETE ASSEMBLY EXPLODED

MATERIAL

SEE PARTS

FINISH

SEE PARTS

DRN: MWC

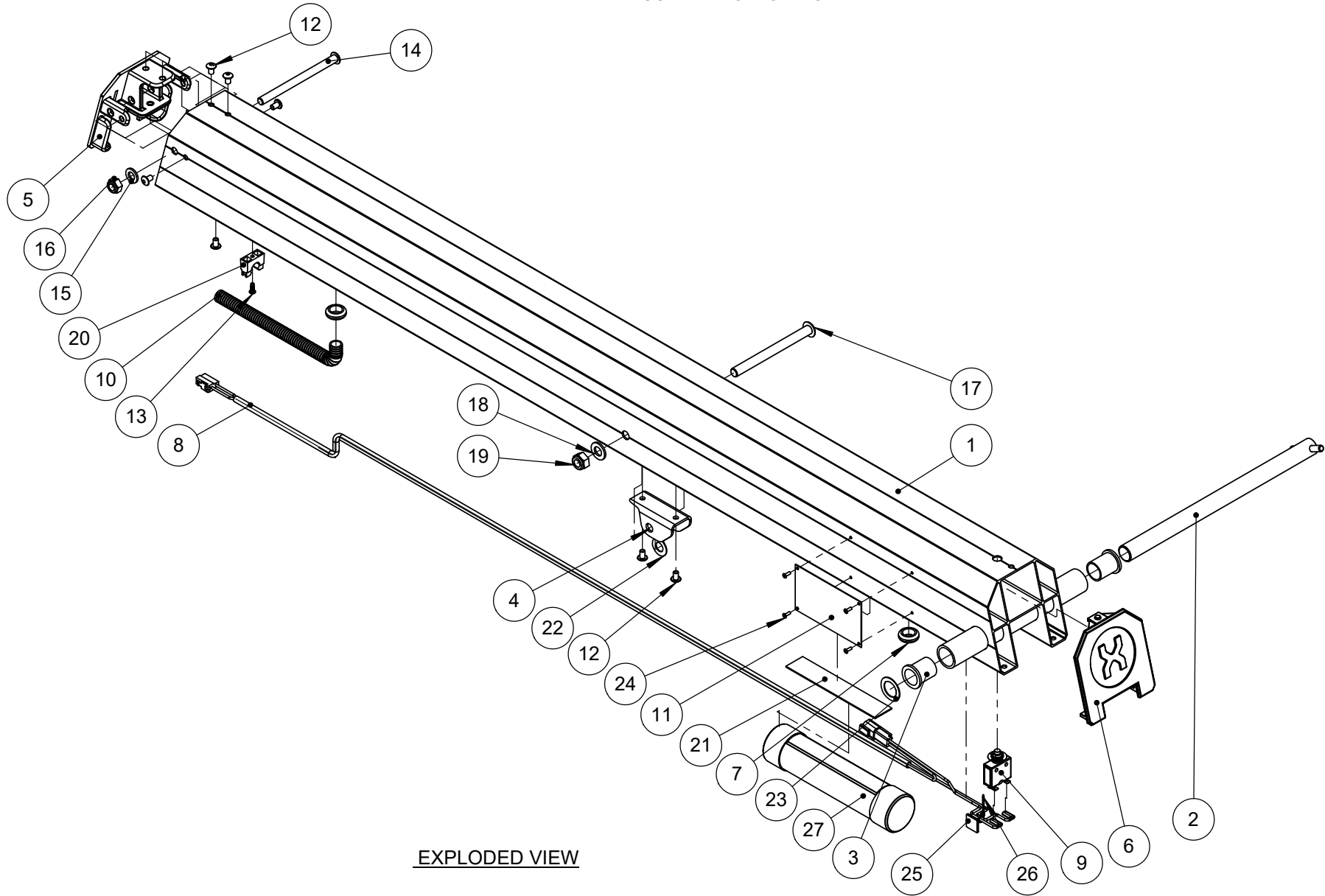
MASS

REV

SHEET 2 OF 13

PRINTED: 2024/11/11

PRINT MAY BE REDUCED - DO NOT SCALE.



EXPLODED VIEW



Sydney (Head Office)  
15 Waltham St  
Artarmon, 2064  
NSW, Australia  
Ph: 1300 795 953  
www.makinex.com.au  
sales@makinex.com.au

COPYRIGHT 2015 MAKINEX.  
WARNING: Copyright in this drawing remains the property of MAKINEX and copying in whole or part is not permitted without the written authority of the copyright owner.

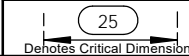
GENERAL TOLERANCES  
(Unless otherwise noted)  
0-100mm: ± 0.25 mm  
100mm - 500mm: ± 0.5 mm  
500mm +: ± 1.0 mm  
Angular: ± 1 deg.



DATE: 2024/11/11

SCALE: D.N.S | **A3**

All Dimensions are in Millimetres  
Break All Sharp Corners and  
Remove Burrs & Swarf



PROJECT: POWERED HAND TRUCK

DWG NO.

PHT2-01

NOTES:

TITLE

JIB ASSEMBLY EXPLODED

MATERIAL

SEE PARTS

FINISH

SEE PARTS

DRN: MWC

MASS


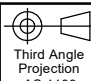

REV

SHEET 3 OF 13

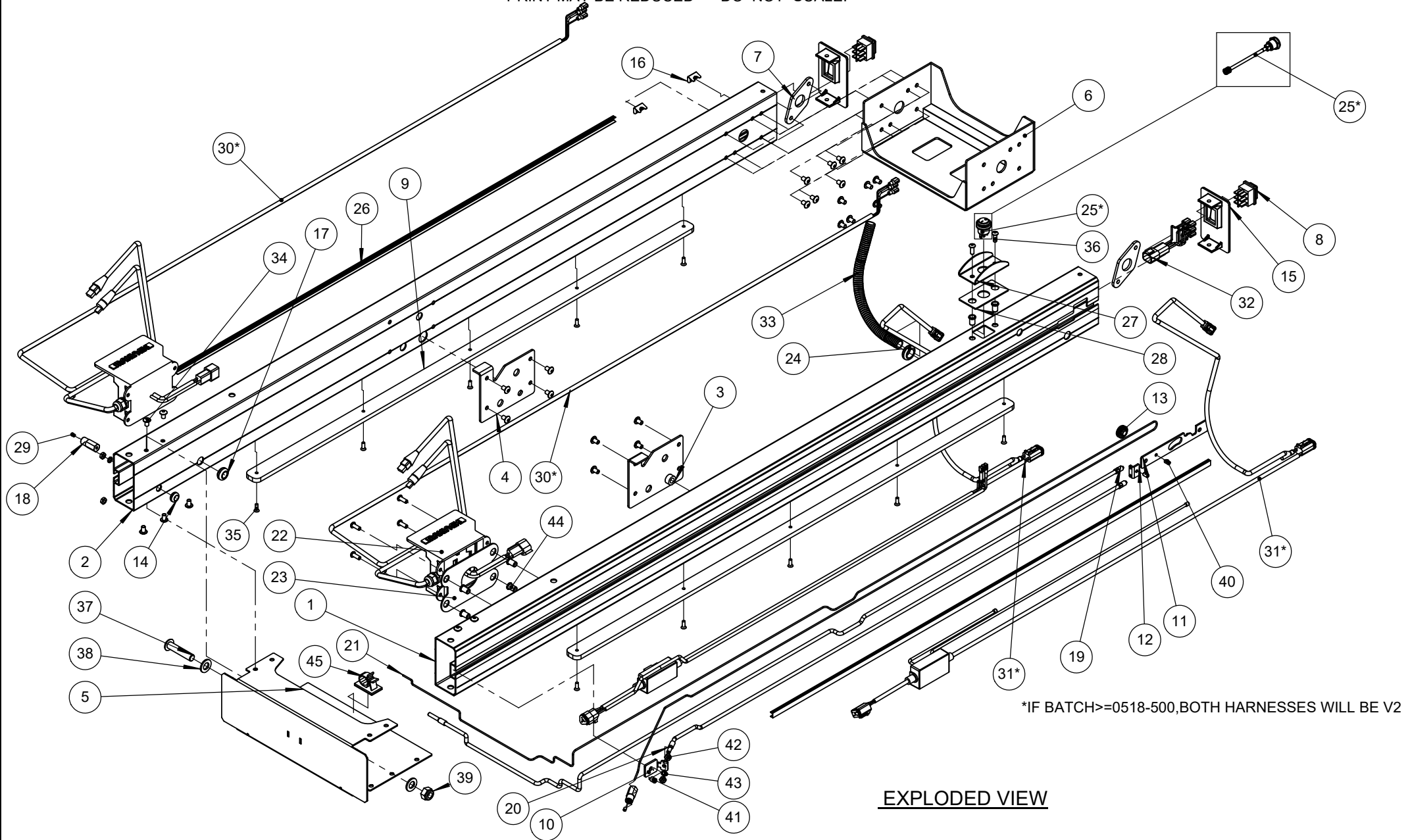
PRINTED: 2024/11/11

ITEM	PART NO.	PART NAME	QTY	SPARES PARTS(Y/N)
1	PHT2-01-W1	JIB WELDMENT	1	N
2	PHT2-01-W2	JIB PIVOT BAR WELDMENT	1	Y
3	PHT2-01-04	JIB SHAFT NYLON BUSH	2	N
4	PHT2-01-07	JIB ACTUATOR BRACKET	1	Y
5	PHT2-01-08	JIB HOOK END CAP	1	Y
6	PHT2-01-09	JIB BACK END CAP	1	Y
7	MAK-UP-181	16MM GROMMET	2	N
8	PHT2-07-08	FORK MOTOR HARNESS	1	Y
9	MAK-UP-36	CIRCUIT BREAKER 5A	1	Y
10	MAK-UP-90	CONDUIT(0.26M)	1	N
11	PHT2-01-13	CE PLATE	1	N
12	MAK-UP-504	1/4" HUCK RIVET	7	N
13	MAK-UP-640	4.2X13.3 TEK SCREW	1	N
14	MAK-UP-636	M10 x 135 BUTTON HEAD SOCKET SCREW	1	N
15	MAK-UP-542	M10 FLAT WASHER(MEDIUM)	1	N
16	MAK-UP-543	M10 NYLOC NUT	1	N
17	MAK-UP-639	M12 x 140 BUTTON HEAD SOCKET SCREW	1	N
18	MAK-UP-537	M12 FLAT WASHER(MEDIUM)	1	N
19	MAK-UP-548	M12 NYLOC NUT	1	N
20	PHT2-01-11	PLASTIC CLAMP	1	N
21	PHT2-01-10	3M VELCRO STRIPS	1	N
22	MAK-UP-641	M12 NYLON FLAT WASHER	1	N
23	MAK-UP-642	M22 NYLON FLAT WASHER	1	N
24	MAK-UP-643	3.2X9 RIVET	4	N
25	MAK-UP-158	CABLE TIE MOUNT	1	N
26	MAK-UP-159	CABLE TIE 2X74	1	N
27	PHT2-01-12	MANUAL ASSEMBLY	1	N

EXPLODED BOM COMPONENTS

 <p>Sydney (Head Office) 15 Waltham St Artarmon, 2064 NSW, Australia</p> <p>Ph: 1300 795 953 www.makinex.com.au sales@makinex.com.au</p>	COPYRIGHT 2015 MAKINEX. WARNING: Copyright in this drawing remains the property of MAKINEX and copying in whole or part is not permitted without the written authority of the copyright owner.		DATE: 2024/11/11		PROJECT: POWERED HAND TRUCK				DRN: MWC			
	GENERAL TOLERANCES (Unless otherwise noted) 0-100mm: ± 0.25 mm 100mm - 500mm: ± 0.5 mm 500mm +: ± 1.0 mm Angular: ± 1 deg.		 Third Angle Projection - AS 1100		SCALE: D.N.S	A3	DWG NO.	TITLE	MATERIAL	FINISH	MASS	REV
			All Dimensions are in Millimetres Break All Sharp Corners and Remove Burrs & Swarf		PHT2-01	JIB ASSEMBLY EXPLODED BOM	SEE PARTS	SEE PARTS				001
			 25 Denotes Critical Dimension		NOTES:				SHEET 4 OF 13			

PRINT MAY BE REDUCED - DO NOT SCALE.



**EXPLODED VIEW**

\*IF BATCH >= 0518-500, BOTH HARNESSSES WILL BE V2



Sydney (Head Office)  
15 Waltham St  
Artarmon, 2064  
NSW, Australia  
Ph: 1300 795 953  
www.makinex.com.au  
sales@makinex.com.au

COPYRIGHT 2013 MAKINEX.  
WARNING: Copyright in this drawing remains the property of MAKINEX and copying in whole or part is not permitted without the written authority of the copyright owner.

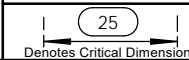
GENERAL TOLERANCES  
(Unless otherwise noted)  
0-100mm: ± 0.25 mm  
100mm - 500mm: ± 0.5 mm  
500mm+: ± 1.0 mm  
Angular: ± 1 deg.



DATE: 2024/11/11

SCALE: D.N.S A3

All Dimensions are in Millimetres  
Break All Sharp Corners and  
Remove Burrs & Swarf



PROJECT: POWERED HAND TRUCK

DWG NO. PHT2-02

TITLE FRAME ASSEMBLY EXPLODED

NOTES:

MATERIAL SEE PARTS

FINISH SEE PARTS

MASS

REV 001

DRN: MWC

SHEET 5 OF 13

PRINTED: 2024/11/11



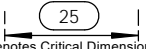
PRINT MAY BE REDUCED - DO NOT SCALE.

ITEM	PART NO.	PART NAME	QTY	SPARE PARTS(Y/N)
1	PHT2-02-01	FRAME EXTRUSION LEFT	1	N
2	PHT2-02-02	FRAME EXTRUSION RIGHT	1	N
3	PHT2-02-W1	FOLD WHEEL LOCK PLATE LEFT WELDMENT	1	Y
4	PHT2-02-W2	FOLD WHEEL LOCK PLATE RIGHT WELDMENT	1	Y
5	PHT2-02-W3	ACTUATOR MOUNT BRACKET WELDMENT	1	N
6	PHT2-02-W4	JIB TOP BRACKET WELDMENT	1	Y
7	PHT2-02-09	JIB SHAFT BACK PLATE	2	N
8	MAK-UP-30	LINAK ROCKER SWITCH	2	Y
9	PHT2-02-12	HDPE SKID	2	Y
10	PHT2-02-13	BRAKE CABLE HOUSING BOTTOM	1	Y
11	PHT2-02-14	LEFT HANDLE MOUNTING PLATE	1	Y
12	PHT2-02-15	LEFT HANDLE CABLE BRACKET	1	N
13	PHT2-02-16	21mm PULLEY	1	Y
14	MAK-UP-182	10MM GROMMET	1	N
15	PHT2-02-18	FRAME END CAP	2	N
16	PHT2-02-20	RIGHT HANDLE MOUNTING PLATE	2	Y
17	MAK-UP-183	12MM GROMMET	1	N
18	PHT2-02-22	BRAKE ADJUSTER FEMALE	2	Y
19	PHT2-02-23	LONG BRAKE CABLE 1650MM(TIP TO TIP)	1	Y
20	PHT2-02-24	SHORT BRAKE CABLE 1150MM(TIP TO TIP)	1	Y
21	PHT2-02-25	CABLE WIRE (MAIN) - 3300MM	1	Y
22	PHT2-02-26	BATTERY MOUNT	1	N
23	PHT2-02-27	BATTERY MOUNT GASKET	1	N

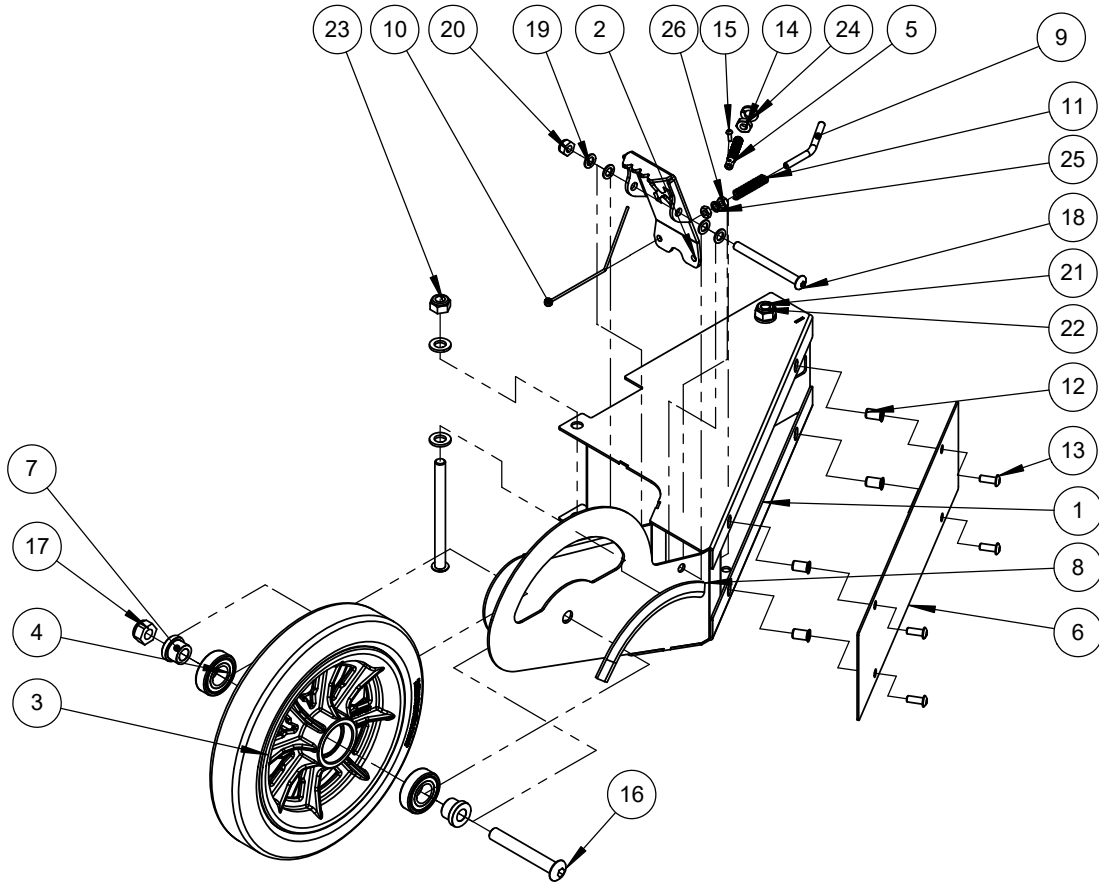
ITEM	PART NO.	PART NAME	QTY	SPARE PARTS(Y/N)
24	MAK-UP-181	16MM GROMMET	1	N
25*	PHT2-02-29	ON/OFF SWITCH	1	Y
	PHT2-07-06-02-V2-2	Metal 4P Switch With Cable		
26	PHT2-02-30	EXTRUSION CONDUIT COVER-1056MM	2	Y
27	PHT2-02-32	ON/OFF SWITCH BRACKET	1	N
28	PHT2-02-33	ON/OFF SWITCH BRACKET GASKET	1	N
29	PHT2-03-16	CABLE NIPPLES	2	N
30*	PHT2-07-06-01	POWER&ACTION HARNESS	1	Y
	PHT2-07-06-01-V2	POWER&ACTION HARNESS V2		
31*	PHT2-07-06-02	PROTECTOR HARNESS	1	Y
	PHT2-07-06-02-V2	PROTECTOR HARNESS V2		
32	PHT2-07-07	FORK SWITCH HARNESS	1	Y
33	PHT2-02-35	CONDUIT(0.36M)	1	N
34	MAK-UP-504	1/4" HUCK RIVET	30	N
35	MAK-UP-644	3/16"COUNTERSUNK RIVETS	10	N
36	MAK-UP-581	M6 x 16 BUTTON HEAD SOCKET SCREW	6	N
37	MAK-UP-646	M12 x 55 BUTTON HEAD SOCKET SCREW	1	N
38	MAK-UP-537	M12 FLAT WASHER(MEDIUM)	2	N
39	MAK-UP-548	M12 NYLOC NUT	1	N
40	MAK-UP-645	M6 x 10 GRUB SCREW	2	N
41	MAK-UP-687	M8 x 10 GRUB SCREW	1	N
42	MAK-UP-507	M6 HEX NUT	4	N
43	MAK-UP-506	M6 SPRING WASHER	2	N
44	MAK-UP-574	M6 RIVNUT	6	N
45	PHT2-02-34	PLASTIC CLAMP 2	1	N

**EXPLODED BOM COMPONENTS**

\*IF BATCH>=0518-500,BOTH HARNESSES WILL BE V2&METAL 4P SWITCH WITH CABLE.

 <p>Sydney (Head Office) 15 Waltham St Artarmon, 2064 NSW, Australia</p> <p>Ph: 1300 795 953 www.makinex.com.au sales@makinex.com.au</p>	COPYRIGHT 2013 MAKINEX. WARNING: Copyright in this drawing remains the property of MAKINEX and copying in whole or part is not permitted without the written authority of the copyright owner.		DATE: 2024/11/11	PROJECT: POWERED HAND TRUCK				DRN: MWC	
	GENERAL TOLERANCES (Unless otherwise noted) 0-100mm: ± 0.25 mm 100mm - 500mm: ± 0.5 mm 500mm +: ± 1.0 mm Angular: ± 1 deg.		SCALE: D.N.S   <b>A3</b> All Dimensions are in Millimetres Break All Sharp Corners and Remove Burrs & Swarf	DWG NO.	TITLE	MATERIAL	FINISH	MASS	REV
	 Third Angle Projection - AS 1100		 25 Denotes Critical Dimension	PHT2-02	FRAME ASSEMBLY EXPLODED BOM	SEE PARTS	SEE PARTS		001
	NOTES:								SHEET 6 OF 13

PRINTED: 2024/11/11



**EXPLODED VIEW**

ITEM	PART NO.	PART NAME	QTY	SPARE PARTS(Y/N)
1	PHT2-03L-W	LEFT WHEEL WELDMENT	1	N
2	PHT2-03-07	BRAKE PAD	1	Y
3	MAK-UP-00	250MM MAKINEX WHEEL	1	Y
4	MAK-UP-01	WHEEL BEARING	2	Y
5	PHT2-03-09	BRAKE ADJUSTER MALE	1	Y
6	PHT2-03-10	COVER SM	1	Y
7	PHT2-03-11	WHEEL BEARING SLEEVE	2	Y
8	PHT2-03-12	PINCH WELD	1	N
9	PHT2-03-13	LEFT BRAKE CABLE HOUSING	1	Y
10	PHT2-03-15	BALL CRIMPED CABLE WIRE(BRAKE PAD)	1	N
11	PHT2-03-18	COMPRESSION SPRING	1	Y
12	MAK-UP-574	M6 RIVNUT	4	N
13	MAK-UP-581	M6 x 16 BUTTON HEAD SOCKET SCREW	4	N
14	MAK-UP-517	M8 HEX NUT	1	N
15	MAK-UP-647	M3 x 10 PAN PHILLIPS HEAD BOLT	1	N
16	MAK-UP-648	M12 x 85 BUTTON HEAD SOCKET SCREW	1	N
17	MAK-UP-548	M12 NYLOC NUT	1	N
18	MAK-UP-649	M8x85 BUTTON HEAD SOCKET SCREW	1	N
19	MAK-UP-535	M8 FLAT WASHER(MEDIUM)	4	N
20	MAK-UP-511	M8 NYLOC NUT	1	N
21	MAK-UP-636	M10 x 120 BUTTON HEAD SOCKET SCREW	2	N
22	MAK-UP-542	M10 FLAT WASHER(MEDIUM)	4	N
23	MAK-UP-543	M10 NYLOC NUT	2	N
24	MAK-UP-516	M8 SPRING WASHER	1	N
25	MAK-UP-506	M6 SPRING WASHER	1	N
26	MAK-UP-507	M6 HEX NUT	2	N



Sydney (Head Office)  
15 Waltham St  
Artarmon, 2064  
NSW, Australia  
Ph: 1300 795 953  
www.makinex.com.au  
sales@makinex.com.au

COPYRIGHT 2015 MAKINEX.  
WARNING: Copyright in this drawing remains the property of MAKINEX and copying in whole or part is not permitted without the written authority of the copyright owner.

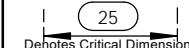
GENERAL TOLERANCES  
(Unless otherwise noted)  
0-100mm: ± 0.25 mm  
100mm - 500mm: ± 0.5 mm  
500mm +: ± 1.0 mm  
Angular: ± 1 deg.



DATE: 2024/11/11

SCALE: D.N.S | **A3**

All Dimensions are in Millimetres  
Break All Sharp Corners and  
Remove Burrs & Swarf



PROJECT: POWERED HAND TRUCK

DWG NO.

PHT2-03L

NOTES:

TITLE

LEFT WHEEL ASSEMBLY EXPLODED

MATERIAL

SEE PARTS

FINISH

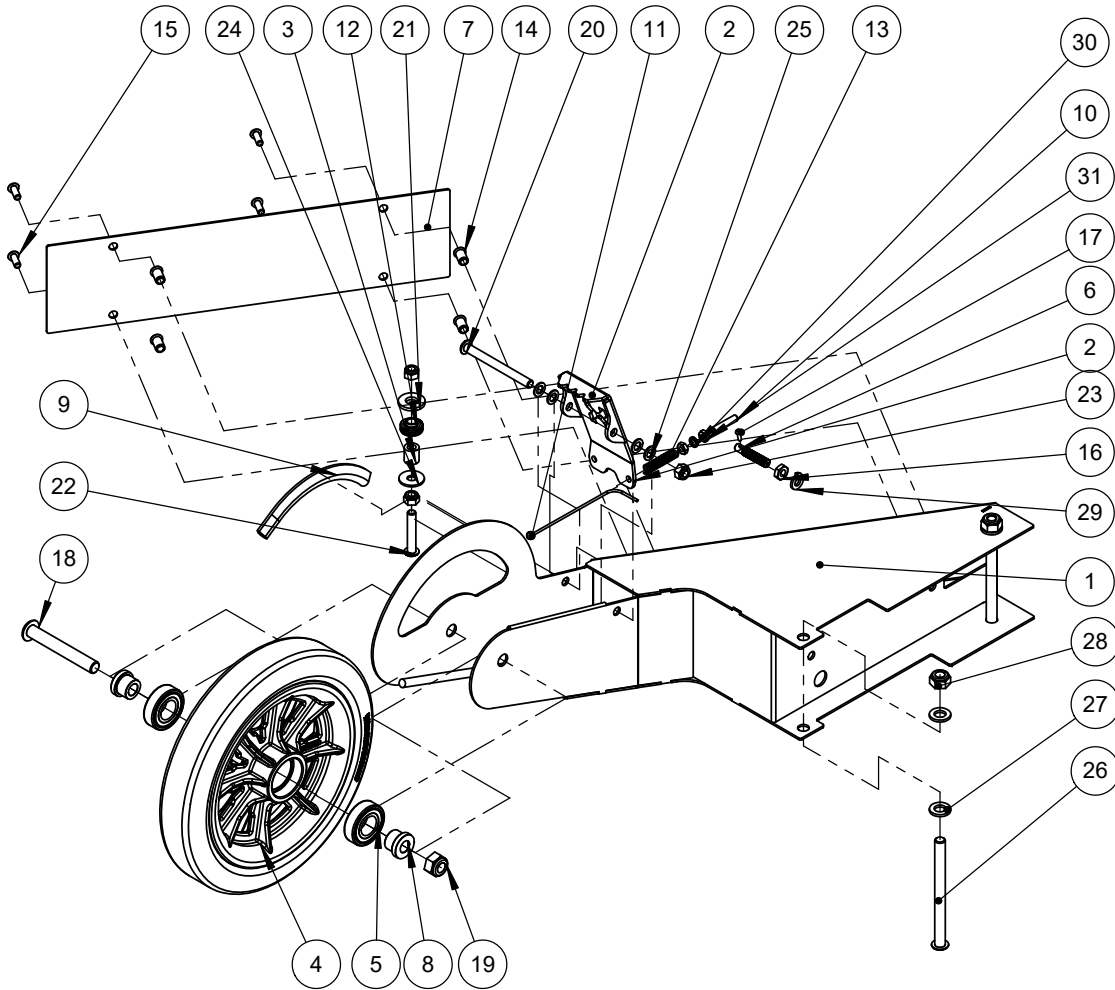
SEE PARTS

DRN: MWC

MASS | REV

6052.67 G | 001

SHEET 7 OF 13



**EXPLODED VIEW**

ITEM	PART NO.	PART NAME	QTY	SPARE PARTS(Y/N)
1	PHT2-03R-W	RIGHT WHEEL WELDMENT	1	N
2	PHT2-03-07	BRAKE PAD	1	Y
3	PHT2-03-04	NYLON SLEEVE	1	N
4	MAK-UP-00	250MM MAKINEX WHEEL	1	Y
5	MAK-UP-01	WHEEL BEARING	2	Y
6	PHT2-03-09	BRAKE ADJUSTER MALE	1	Y
7	PHT2-03-10	COVER SM	1	Y
8	PHT2-03-11	WHEEL BEARING SLEEVE	2	Y
9	PHT2-03-12	PINCH WELD	1	N
10	PHT2-03-14	RIGHT BRAKE CABLE HOUSING	1	Y
11	PHT2-03-15	BALL CRIMPED CABLE WIRE (BRAKE PAD)	1	N
12	PHT2-02-16	21mm PULLEY	1	N
13	PHT2-03-18	COMPRESSION SPRING	1	Y
14	MAK-UP-574	M6 RIVNUT	4	N
15	MAK-UP-581	M6X16 BUTTON HEAD SOCKET SCREW	4	N
16	MAK-UP-517	M8 HEX NUT	1	N
17	MAK-UP-647	M3 x 10 PAN PHILLIPS HEAD BOLT	1	N
18	MAK-UP-648	M12 x 85 BUTTON HEAD SOCKET SCREW	1	N
19	MAK-UP-548	M12 NYLOC NUT	1	N
20	MAK-UP-649	M8x85 BUTTON HEAD SOCKET SCREW	1	N
21	MAK-UP-652	M11.5 FLAT WASHER(MEDIUM)	1	N
22	MAK-UP-651	M8x45 BUTTON HEAD SOCKET SCREW	1	N
23	MAK-UP-511	M8 NYLOC NUT	3	N
24	MAK-UP-637	M8 FLAT WASHER(OD:24MM)	1	N
25	MAK-UP-535	M8 FLAT WASHER(MEDIUM)	4	N
26	MAK-UP-636	M10 x 125 BUTTON HEAD SOCKET SCREW	2	N
27	MAK-UP-542	M10 FLAT WASHER(MEDIUM)	4	N
28	MAK-UP-543	M10 NYLOC NUT	2	N
29	MAK-UP-516	M8 SPRING WASHER	1	N
30	MAK-UP-506	M6 SPRING WASHER	1	N
31	MAK-UP-507	M6 HEX NUT	2	N



Sydney (Head Office)  
15 Waltham St  
Artarmon, 2064  
NSW, Australia  
Ph: 1300 795 953  
www.makinex.com.au  
sales@makinex.com.au

COPYRIGHT 2015 MAKINEX.  
WARNING: Copyright in this drawing remains the property of MAKINEX and copying in whole or part is not permitted without the written authority of the copyright owner.

GENERAL TOLERANCES  
(Unless otherwise noted)  
0-100mm: ± 0.25 mm  
100mm - 500mm: ± 0.5 mm  
500mm +: ± 1.0 mm  
Angular: ± 1 deg.



DATE: 2024/11/11

SCALE: D.N.S A3

All Dimensions are in Millimetres  
Break All Sharp Corners and  
Remove Burrs & Swarf



PROJECT: POWERED HAND TRUCK

DWG NO.

PHT2-03R

NOTES:

TITLE

RIGHT WHEEL ASSEMBLY EXPLODED

MATERIAL

SEE PARTS

FINISH

SEE PARTS

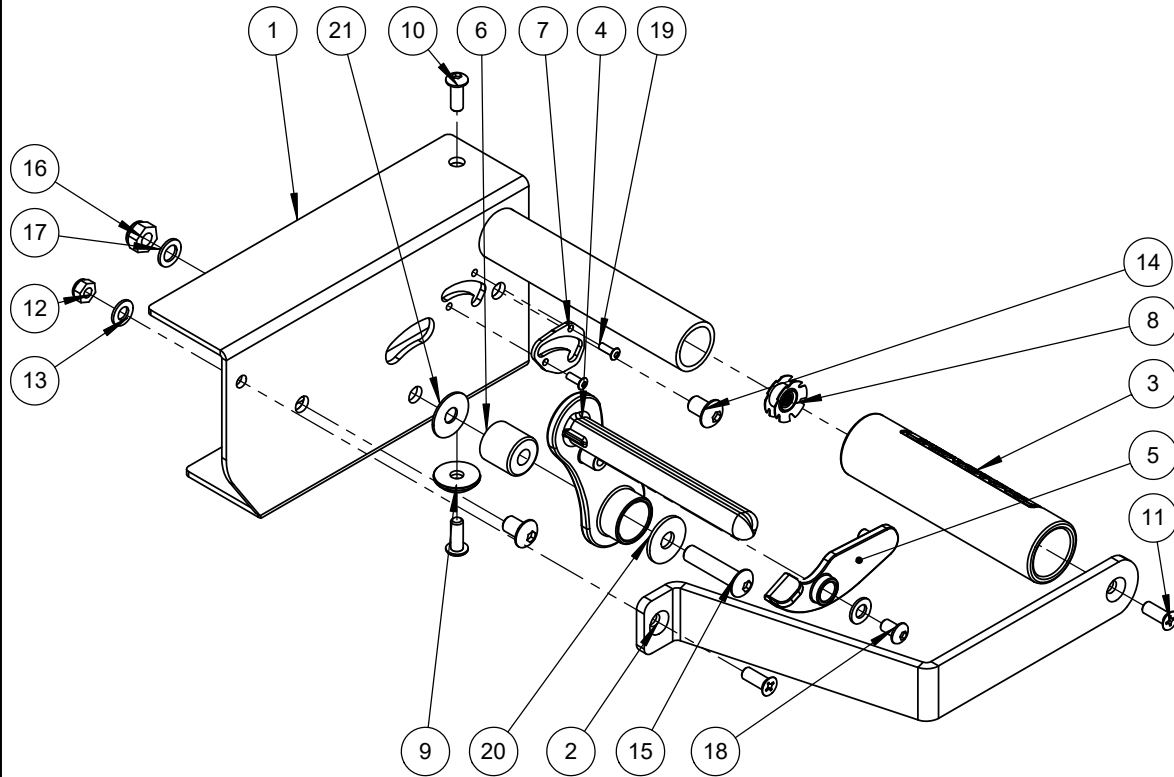
DRN: MWC

MASS REV

6085.43 G 001

SHEET 8 OF 13





**EXPLODED VIEW**

ITEM	PART NO.	PART NAME	QTY	SPARE PARTS(Y/N)
1	PHT2-04L-W	LEFT HANDLE WELDMENT	1	N
2	PHT2-04-03	HANDLE FLAT BAR	1	Y
3	PHT2-04-05	FOAM GRIP	1	Y
4	PHT2-04-06	BRAKE LEVER	1	Y
5	PHT2-04-07	LOCKING LATCH	1	Y
6	PHT2-04-08	STUD 20X19	1	Y
7	PHT2-04-09	HANDLE LOCK FLAT PLATE	1	Y
8	PHT2-04-10	M6 TUBE INSERT	1	Y
9	PHT2-04-11	CONICAL WASHER	1	Y
10	MAK-UP-581	M6 x 16 BUTTON HEAD SOCKET SCREW	2	N
11	MAK-UP-653	M6 x 16 COUNTERSUNK PHILIPS HEAD BOLT	2	N
12	MAK-UP-503	M6 NYLOC NUT	1	N
13	MAK-UP-564	M6 FLAT WASHER(MEDIUM)	2	N
14	MAK-UP-655	M8 x 12 BUTTON HEAD SOCKET SCREW	2	N
15	MAK-UP-656	M8 x 35 BUTTON HEAD SOCKET SCREW	1	N
16	MAK-UP-511	M8 NYLOC NUT	1	N
17	MAK-UP-535	M8 FLAT WASHER(MEDIUM)	1	N
18	MAK-UP-567	M6 x 10 BUTTON HEAD SOCKET SCREW	1	N
19	MAK-UP-643	3.2X9 RIVET	2	N
20	MAK-UP-637	M8 FLAT WASHER(OD:24MM)	1	N
21	MAK-UP-663	M8 THIN FLAT WASHER(OD:23MM)	1	N



Sydney (Head Office)  
15 Waltham St  
Artarmon, 2064  
NSW, Australia  
Ph: 1300 795 953  
www.makinex.com.au  
sales@makinex.com.au

COPYRIGHT 2013 MAKINEX.  
WARNING: Copyright in this drawing remains the property of MAKINEX and copying in whole or part is not permitted without the written authority of the copyright owner.

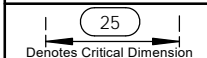
GENERAL TOLERANCES  
(Unless otherwise noted)  
0-100mm: ± 0.25 mm  
100mm - 500mm: ± 0.5 mm  
500mm +: ± 1.0 mm  
Angular: ± 1 deg.



DATE: 2024/11/11

SCALE: D.N.S | **A3**

All Dimensions are in Millimetres  
Break All Sharp Corners and  
Remove Burrs & Swarf



PROJECT: POWERED HAND TRUCK

DWG NO.

PHT2-04L

NOTES:

TITLE

LEFT HANDLE ASSEMBLY EXPLODED

MATERIAL

SEE PARTS

FINISH

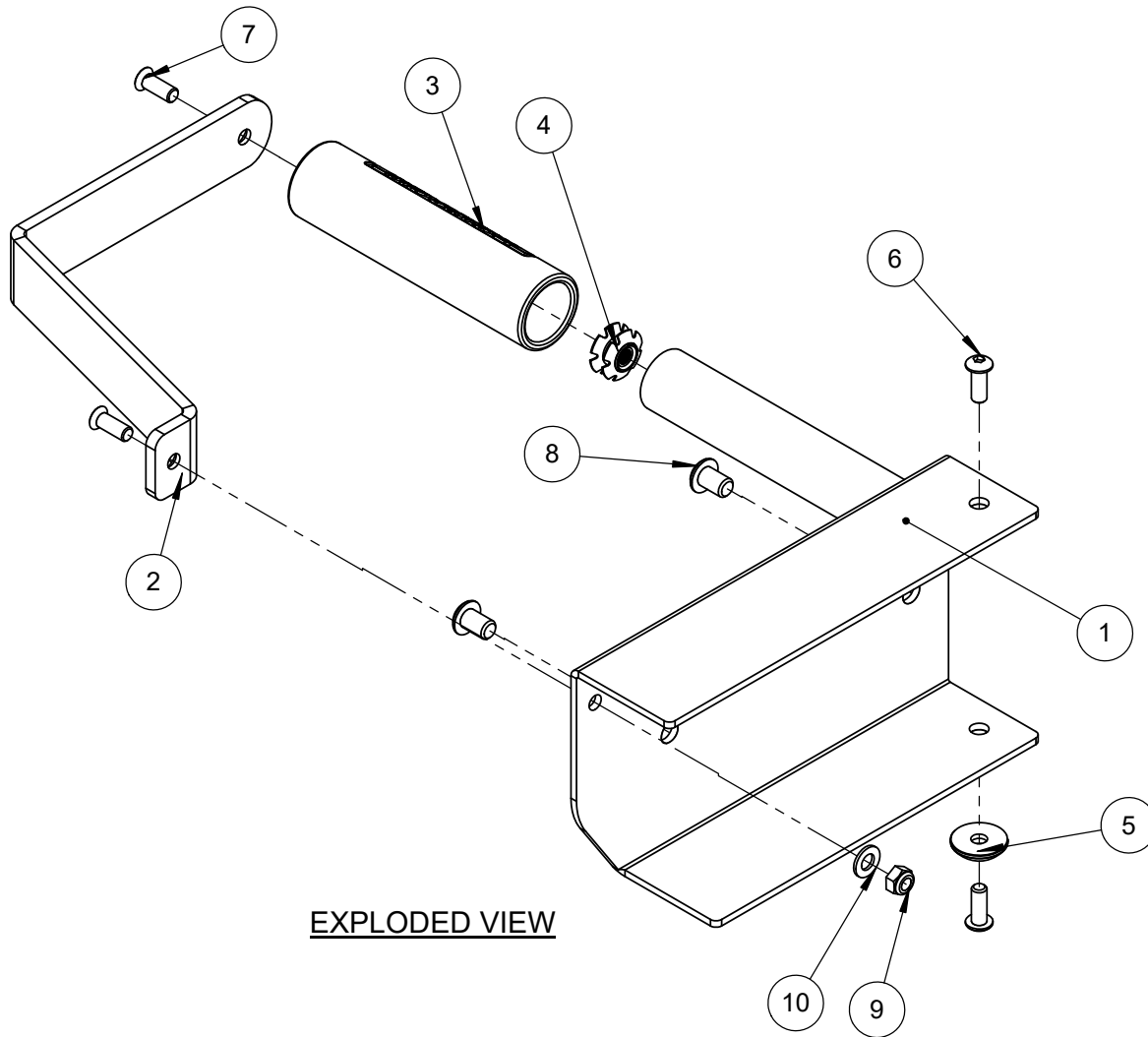
SEE PARTS

DRN: MWC

MASS | REV

934.24 G | 002

SHEET 9 OF 13



**EXPLODED VIEW**

ITEM	ITEM NO.	PART NAME	QTY	SPARE PARTS(Y/N)
1	PHT2-04R-W	RIGHT HANDLE WELDMENT	1	Y
2	PHT2-04-03	HANDLE FLAT BAR	1	Y
3	PHT2-04-05	MAKINEX GRIP	1	Y
4	PHT2-04-10	M6 TUBE INSERT	1	Y
5	PHT2-04-11	CONICAL WASHER	1	Y
6	MAK-UP-581	M6 x 16 BUTTON HEAD SOCKET SCREW	2	N
7	MAK-UP-653	M6 x 16 COUNTERSUNK PHILIPS HEAD BOLT	2	N
8	MAK-UP-655	M8 x 12 BUTTON HEAD SOCKET SCREW	2	N
9	MAK-UP-503	M6 NYLOC NUT	1	N
10	MAK-UP-564	M6 FLAT WASHER(MEDIUM)	1	N



Sydney (Head Office)  
 15 Waltham St  
 Artarmon, 2064  
 NSW, Australia  
 Ph: 1300 795 953  
 www.makinex.com.au  
 sales@makinex.com.au

COPYRIGHT 2015 MAKINEX.  
 WARNING: Copyright in this drawing remains the property of MAKINEX and copying in whole or part is not permitted without the written authority of the copyright owner.

GENERAL TOLERANCES  
 (Unless otherwise noted)  
 0-100mm: ± 0.25 mm  
 100mm - 500mm: ± 0.5 mm  
 500mm +: ± 1.0 mm  
 Angular: ± 1 deg.



DATE: 2024/11/11

SCALE: D.N.S A3

All Dimensions are in Millimetres  
 Break All Sharp Corners and  
 Remove Burrs & Swarf



PROJECT: POWERED HAND TRUCK

DWG NO. PHT2-04R

TITLE RIGHT HANDLE ASSEMBLY EXPLODED

NOTES:

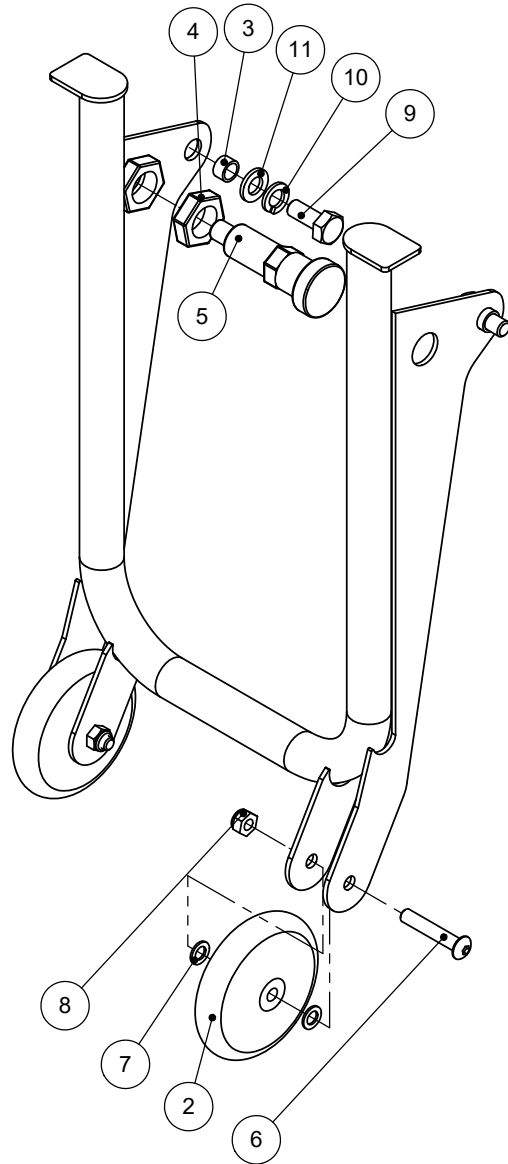
MATERIAL SEE PARTS

FINISH SEE PARTS

DRN: MWC

MASS 510.51 G REV 001

SHEET 10 OF 13



EXPLODED VIEW

ITEM	PART NO.	PART NAME	QTY	SPARE PARTS(Y/N)
1	PHT2-05-W	FOLD WHEEL WELDMENT	1	Y
2	PHT2-05-05	FOLD WHEEL	2	Y
3	PHT2-05-07	FLANGED SLEEVE BEARING	2	Y
4	PHT2-05-08	INDEXING PLUNGER NUT	1	Y
5	PHT2-05-06	INDEXING PLUNGER	1	N
6	MAK-UP-651	M8X45 BUTTON HEAD SOCKET SCREW	2	N
7	MAK-UP-535	M8 FLAT WASHER(MEDIUM)	4	N
8	MAK-UP-511	M8 NYLOC NUT	2	N
9	MAK-UP-553	M10x25 HEX BOLT Z/P	2	N
10	MAK-UP-657	M10 SPRING WASHER	2	N
11	MAK-UP-542	M10 FLAT WASHER(MEDIUM)	2	N



Sydney (Head Office)  
 15 Waltham St  
 Artarmon, 2064  
 NSW, Australia  
 Ph: 1300 795 953  
 www.makinex.com.au  
 sales@makinex.com.au

COPYRIGHT 2013 MAKINEX.  
 WARNING: Copyright in this drawing remains the property of MAKINEX and copying in whole or part is not permitted without the written authority of the copyright owner.

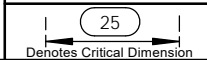
GENERAL TOLERANCES  
 (Unless otherwise noted)  
 0-100mm: ± 0.25 mm  
 100mm - 500mm: ± 0.5 mm  
 500mm +: ± 1.0 mm  
 Angular: ± 1 deg.



DATE: 2024/11/11

SCALE: D.N.S | A3

All Dimensions are in Millimetres  
 Break All Sharp Corners and  
 Remove Burrs & Swarf



PROJECT: POWERED HAND TRUCK

DWG NO. PHT2-05

TITLE FOLD WHEEL ASSEMBLY EXPLODED

NOTES:

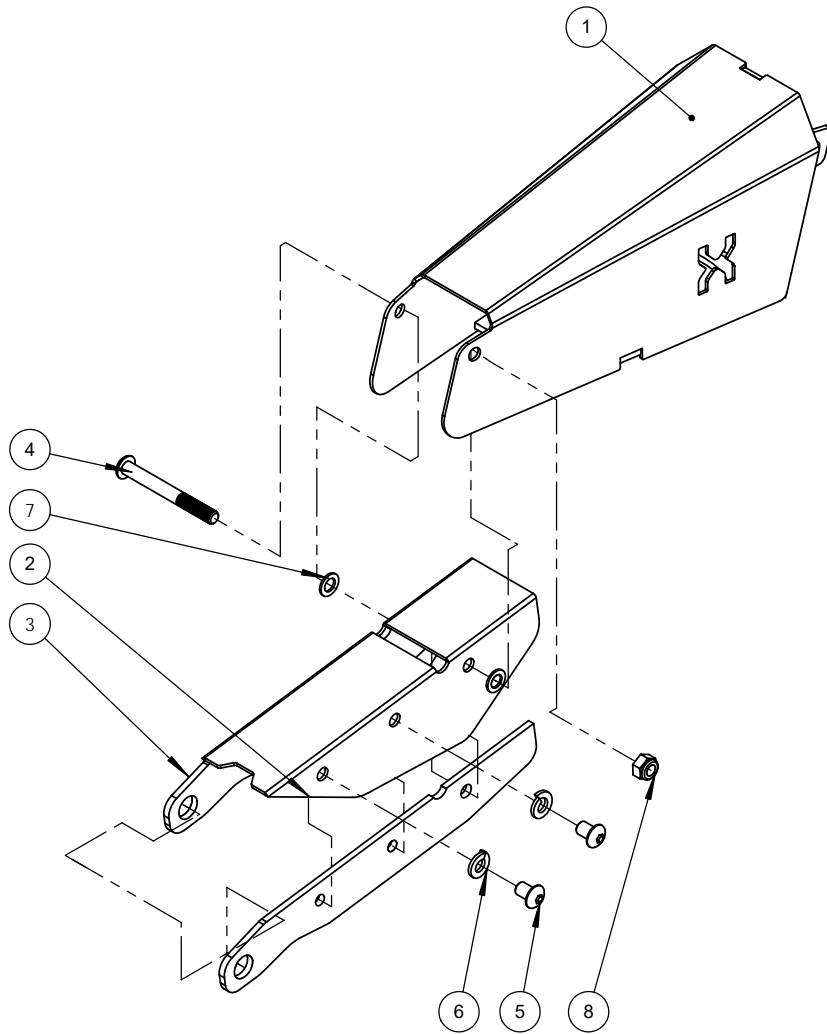
DRN: MWC

MATERIAL SEE PARTS

FINISH SEE PARTS

MASS 2241.24 G | REV 001

SHEET 11 OF 13



EXPLODED VIEW

ITEM	PART NO.	PART NAME	QTY	SPARE PARTS(Y/N)
1	PHT2-06-W	JIB HOOK ADAPTOR WELDMENT	1	N
2	PHT2-06-03	NOSE LINK	1	Y
3	PHT2-06-04	NOSE LINK FLAT BAR	2	Y
4	MAK-UP-658	M8 x 70 BUTTON HEAD SOCKET SCREW	1	N
5	MAK-UP-655	M8 x 12 BUTTON HEAD SOCKET SCREW	4	N
6	MAK-UP-516	M8 SPRING WASHER	4	N
7	MAK-UP-535	M8 FLAT WASHER(MEDIUM)	2	N
8	MAK-UP-511	M8 NYLOC NUT	1	N



Sydney (Head Office)  
15 Waltham St  
Artarmon, 2064  
NSW, Australia  
Ph: 1300 795 953  
www.makinex.com.au  
sales@makinex.com.au

COPYRIGHT 2015 MAKINEX.  
WARNING: Copyright in this drawing remains the property of MAKINEX and copying in whole or part is not permitted without the written authority of the copyright owner.

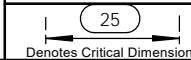
GENERAL TOLERANCES  
(Unless otherwise noted)  
0-100mm: ± 0.25 mm  
100mm - 500mm: ± 0.5 mm  
500mm +: ± 1.0 mm  
Angular: ± 1 deg.



DATE: 2024/11/11

SCALE: D.N.S | A3

All Dimensions are in Millimetres  
Break All Sharp Corners and  
Remove Burrs & Swarf



PROJECT: POWERED HAND TRUCK

DWG NO.

PHT2-06

NOTES:

TITLE

NOSE HOOK ASSEMBLY EXPLODED

MATERIAL

SEE PARTS

FINISH

SEE PARTS

DRN: MWC

MASS

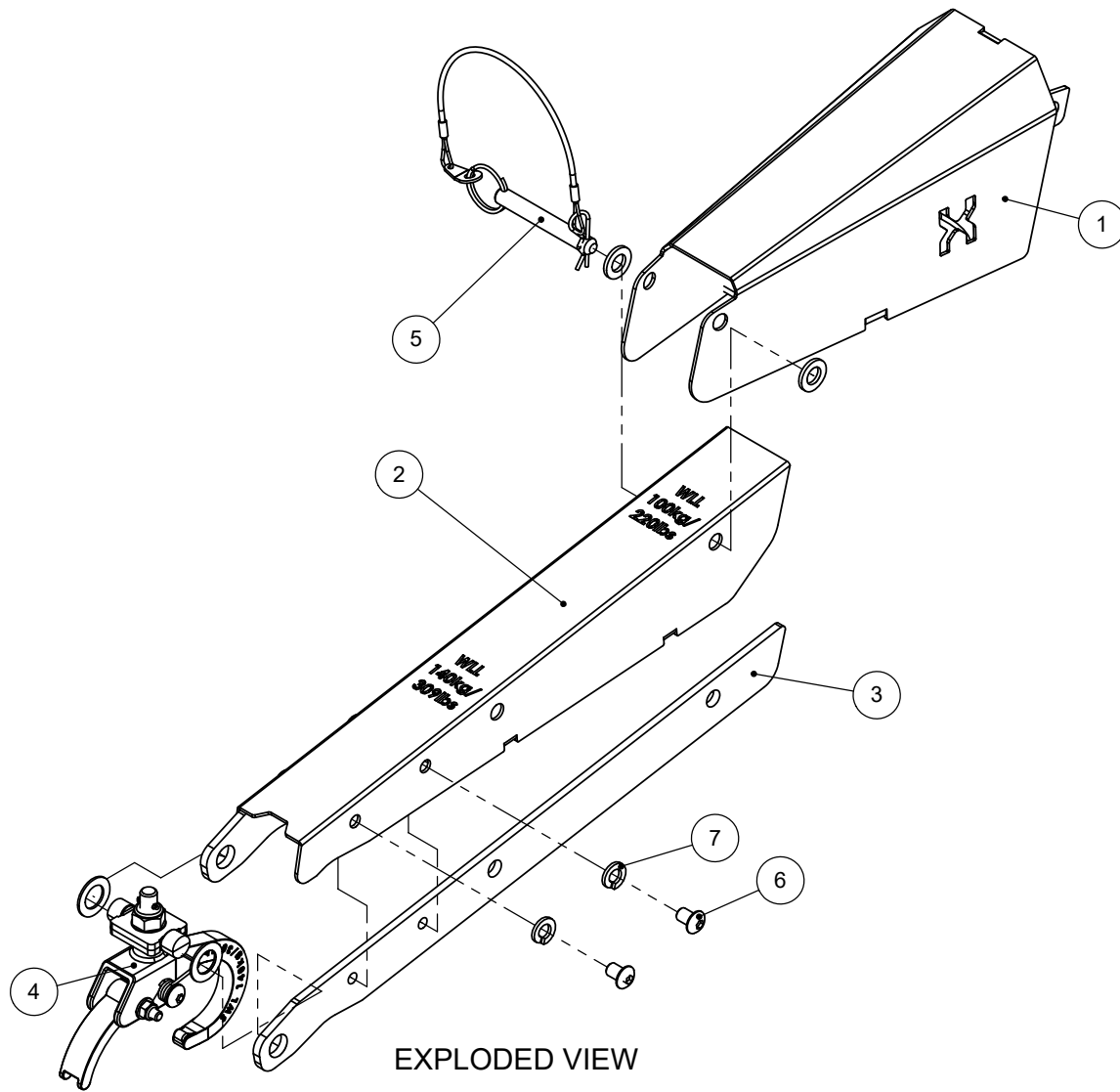
3050.09 G

REV

002

SHEET 12 OF 13

PRINT MAY BE REDUCED - DO NOT SCALE.



ITEM	PART NO.	PART NAME	QTY	SPARE PARTS(Y/N)
1	PHT2-08-W1	JIB HOOK ADAPTER WELDMENT	1	N
2	PHT2-08-W2	EXTENDED NOSE LINK WELDMENT	1	N
3	PHT2-08-10	EXTENDED NOSE LINK FLAT BAR	2	Y
4	PHT2-08-A	SELF CLOSING HOOK ASSEMBLY	1	Y
5	MAK-UP-184	M10 CLEVIS PIN	1	N
6	MAK-UP-655	M8X12 BUTTON HEAD SOCKET SCREW	4	N
7	MAK-UP-516	M8 SPRING WASHER	4	N



Sydney (Head Office)  
15 Waltham St  
Artarmon, 2064  
NSW, Australia  
Ph: 1300 795 953  
www.makinex.com.au  
sales@makinex.com.au

COPYRIGHT 2015 MAKINEX.  
WARNING: Copyright in this drawing remains the property of MAKINEX and copying in whole or part is not permitted without the written authority of the copyright owner.

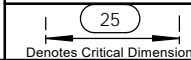
GENERAL TOLERANCES  
(Unless otherwise noted)  
0-100mm: ± 0.25 mm  
100mm - 500mm: ± 0.5 mm  
500mm +: ± 1.0 mm  
Angular: ± 1 deg.



DATE: 2024/11/11

SCALE: D.N.S A3

All Dimensions are in Millimetres  
Break All Sharp Corners and  
Remove Burrs & Swarf



PROJECT: POWERED HAND TRUCK

DWG NO.

PHT2-08

NOTES:

TITLE

EXTENDABLE NOSE HOOK ASSEMBLY  
EXPLODED

MATERIAL

SEE PARTS

FINISH

SEE PARTS

DRN: XX

MASS REV

2456.26 G 001

SHEET 13 OF 13

PRINTED: 2024/11/11