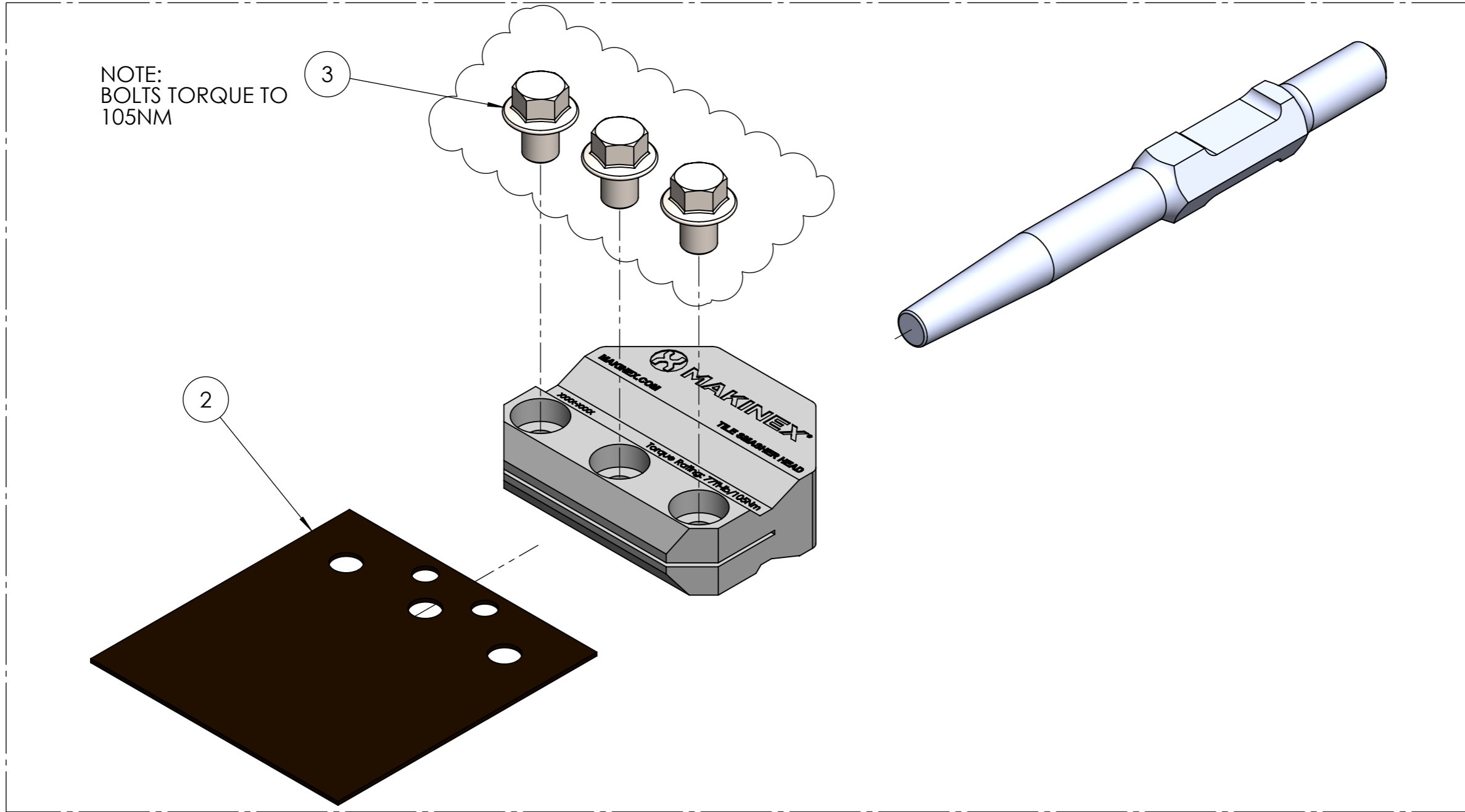


REVISIONS		
REV.	DESCRIPTION	DATE
B	UPDATED WITH TSH BOLT KIT	24/01/2025

ITEM NO.	PART NUMBER	DESCRIPTION	QTY.
1	TSHC-SS-AU-V2	TILE SMASHER HEAD COMBO WITH 30mm HEX SHANK	1
2	TSH-B	TSH BLADE	1
3	TSH-BS-V2-KIT	TSH BOLTS V2 3PC KIT	1



NOTE:
BOLTS TORQUE TO
105NM

PRINT MAY BE REDUCED - DO NOT SCALE.

MAKINEX[®]

Sydney (Head Office) Ph: 1300 795 953
15 Waltham St
Artarmon, 2064
NSW, Australia

www.makinex.com.au
sales@makinex.com.au

COPYRIGHT 2025 MAKINEX.
WARNING: Copyright in this drawing remains the property of Makinex and copying in whole or part is not permitted without the written authority of the copyright owner.

GENERAL TOLERANCES
(Unless otherwise noted)

0-100mm: ± 0.25 mm
100mm - 500mm: ± 0.5 mm
500mm +: ± 1.0 mm
Angular: ± 1 deg.

Third Angle Projection
- AS 1100

DATE: 24/01/2025

SCALE: 1:2

A3

All Dimensions are in Millimetres
Break All Sharp Corners and
Remove Burrs & Swarf

25.00
Denotes Critical Dimension

PART NO. : TSHC-SS-AU-V2

PROJECT:

MATERIAL: SEE PARTS

THICKNESS:

DESCRIPTION: TILE SMASHER HEAD COMBO WITH 30MM HEX

FINISH: SEE PARTS

DIAMETER:

DRAWN BY:

REV: B

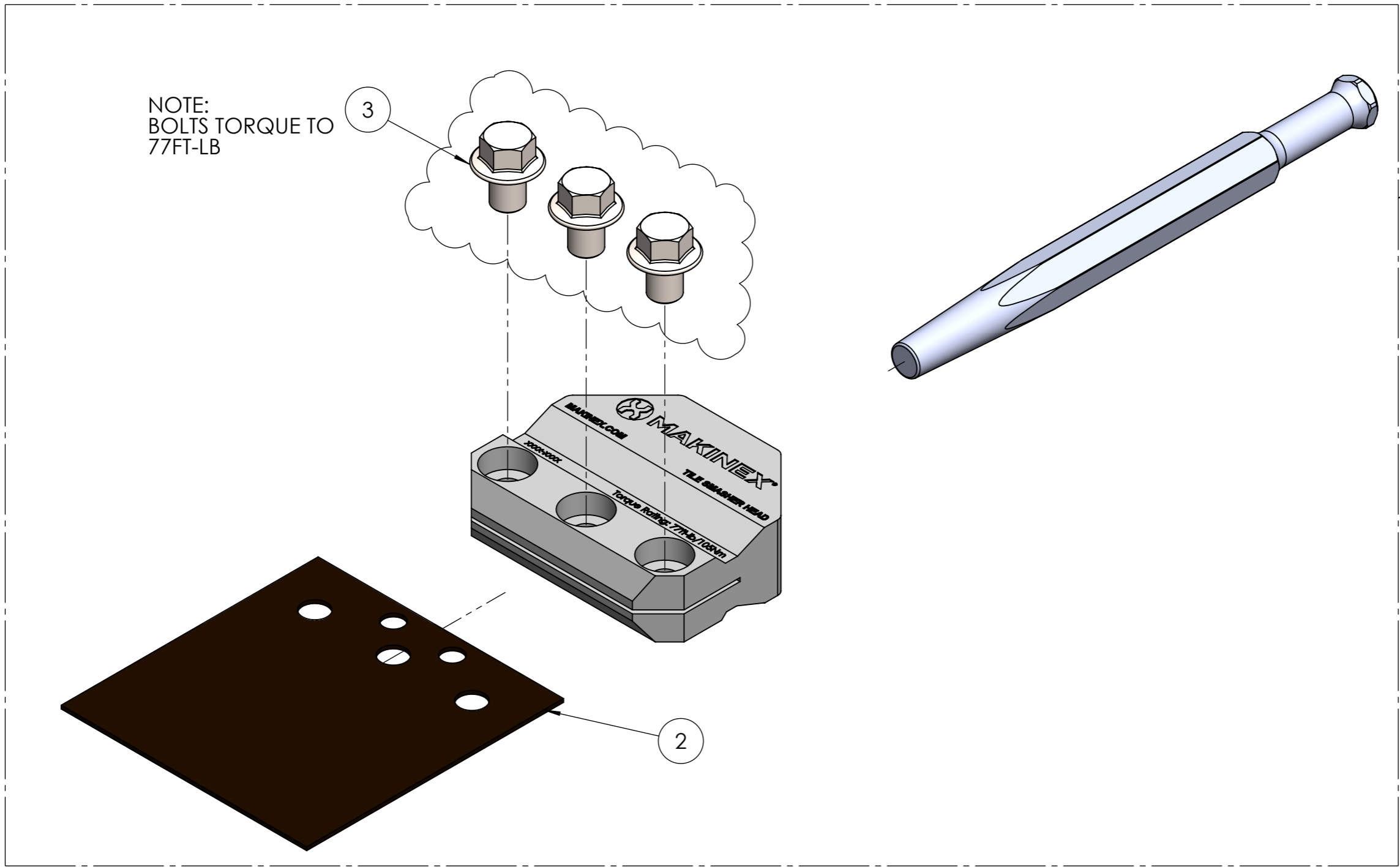
MASS:

APPROVED BY:

SHEET 1 OF 1

REVISIONS		
REV.	DESCRIPTION	DATE
B	UPDATED DRAWING TO SHOW FASTENER KIT	24/01/2025

ITEM NO.	PART NUMBER	DESCRIPTION	QTY.
1	TSHC-HS-US-V2	TILE SMASHER HEAD COMBO WITH HILTI HEX SHANK	1
2	TSH-B	TSH BLADE	1
3	TSH-BS-V2-KIT	TSH BOLTS V2 3PC KIT	1



PRINT MAY BE REDUCED - DO NOT SCALE.

<p>Sydney (Head Office) Ph: 1300 795 953 15 Waltham St Artarmon, 2064 NSW, Australia www.makinex.com.au sales@makinex.com.au</p>	<p>COPYRIGHT 2025 MAKINEX. WARNING: Copyright in this drawing remains the property of Makinex and copying in whole or part is not permitted without the written authority of the copyright owner.</p>	<p>DATE: 24/01/2025</p>	<p>PART NO. : TSHC-HS-US-V2</p>	<p>DESCRIPTION: TILE SMASHER HEAD COMBO WITH HILTI HEX SHANK</p>		<p>REV: B</p>
	<p>GENERAL TOLERANCES (Unless otherwise noted) 0-100mm: ± 0.25 mm 100mm - 500mm: ± 0.5 mm 500mm+: ± 1.0 mm Angular: ± 1 deg.</p>	<p>SCALE: 1:2</p>	<p>A3</p>	<p>PROJECT:</p>		
<p>Third Angle Projection - AS 1100</p>	<p>All Dimensions are in Millimetres Break All Sharp Corners and Remove Burrs & Swarf</p>	<p>25.00 Denotes Critical Dimension</p>	<p>MATERIAL: SEE PARTS</p>	<p>FINISH: SEE PARTS</p>	<p>MASS:</p>	
			<p>THICKNESS:</p>	<p>DIAMETER:</p>	<p>DRAWN BY:</p>	<p>APPROVED BY:</p>

PRINTED: 24/01/2025