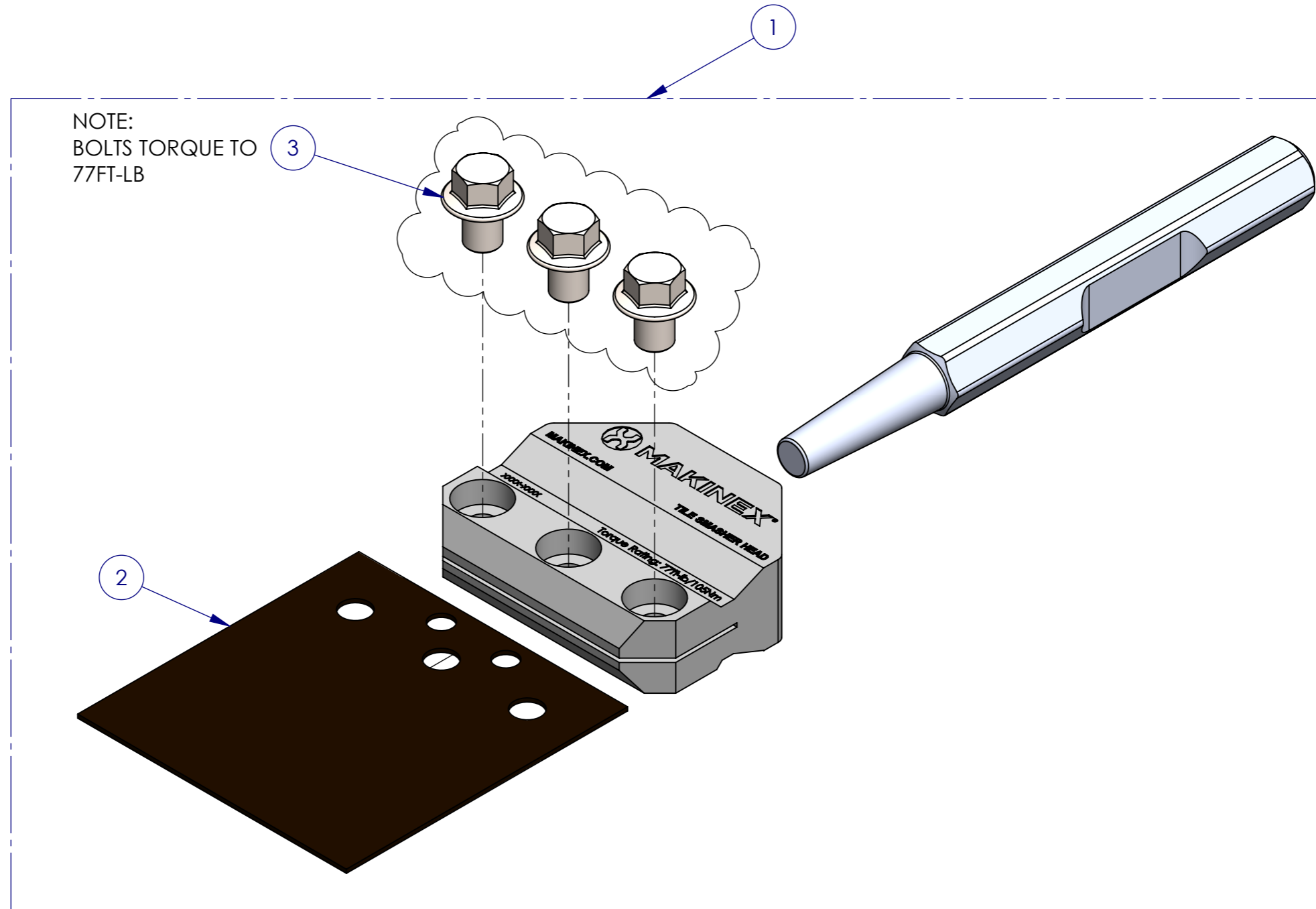





REVISIONS		
REV.	DESCRIPTION	DATE
B	Bolts updated to kit of 3pcs	22/01/2025

ITEM NO.	PART NO.	PART NAME	QTY
1	TSHC-SS-US-V2	TILE SMASHER HEAD COMBO WITH 1 1/8" HEX SHANK V2	1
2	TSH-B	TSH BLADE	1
3	TSH-BS-V2-KIT	TSH BOLTS V2 3PC KIT	1



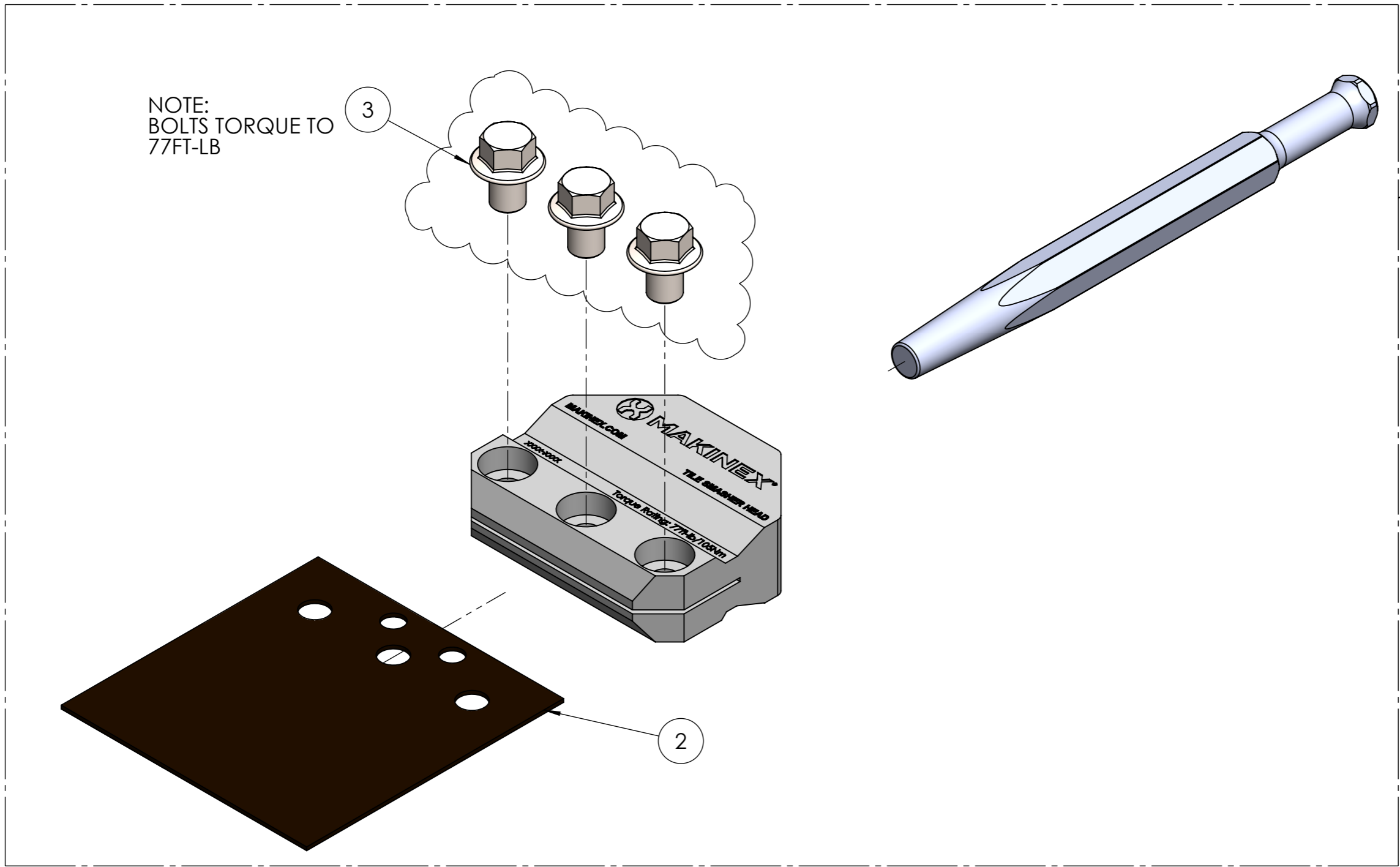
PRINT MAY BE REDUCED - DO NOT SCALE.

	COPYRIGHT 2025 MAKINEX. WARNING: Copyright in this drawing remains the property of Makinex and copying in whole or part is not permitted without the written authority of the copyright owner.		DATE: 24/01/2025	PART NO. : TSHC-SS-US-V2	DESCRIPTION: Tile Smasher Combo with 1 1/8in HEX shank			REV: <h1 style="text-align: center;">B</h1>
	GENERAL TOLERANCES (Unless otherwise noted) 0-100mm: ± 0.25 mm 100mm - 500mm: ± 0.5 mm 500mm+: ± 1.0 mm Angular: ± 1 deg.		SCALE: 1:5	A3	PROJECT:			
Sydney (Head Office) Ph: 1300 795 953 15 Waltham St Artarmon, 2064 NSW, Australia www.makinex.com.au sales@makinex.com.au		 Third Angle Projection - AS 1100	All Dimensions are in Millimetres Break All Sharp Corners and Remove Burrs & Swarf		MATERIAL: SEE PARTS	FINISH: SEE PARTS	MASS:	SHEET 1 OF 1
		 Denotes Critical Dimension	THICKNESS:	DIAMETER:	DRAWN BY:	APPROVED BY:		

PRINTED: 24/01/2025

REVISIONS		
REV.	DESCRIPTION	DATE
B	UPDATED DRAWING TO SHOW FASTENER KIT	24/01/2025

ITEM NO.	PART NUMBER	DESCRIPTION	QTY.
1	TSHC-HS-US-V2	TILE SMASHER HEAD COMBO WITH HILTI HEX SHANK	1
2	TSH-B	TSH BLADE	1
3	TSH-BS-V2-KIT	TSH BOLTS V2 3PC KIT	1



NOTE:
BOLTS TORQUE TO
77FT-LB

PRINT MAY BE REDUCED - DO NOT SCALE.

MAKINEX
 Sydney (Head Office) Ph: 1300 795 953
 15 Waltham St
 Artarmon, 2064
 NSW, Australia
www.makinex.com.au
sales@makinex.com.au

COPYRIGHT 2025 MAKINEX.
 WARNING: Copyright in this drawing remains the property of Makinex and copying in whole or part is not permitted without the written authority of the copyright owner.

GENERAL TOLERANCES (Unless otherwise noted)
 0-100mm: ± 0.25 mm
 100mm - 500mm: ± 0.5 mm
 500mm+: ± 1.0 mm
 Angular: ± 1 deg.

Third Angle Projection - AS 1100

DATE: 24/01/2025
 SCALE: 1:2 A3
 All Dimensions are in Millimetres
 Break All Sharp Corners and Remove Burrs & Swarf

25.00
 Denotes Critical Dimension

PART NO.: TSHC-HS-US-V2
 PROJECT:
 MATERIAL: SEE PARTS
 THICKNESS:

DESCRIPTION: TILE SMASHER HEAD COMBO WITH HILTI HEX SHANK
 FINISH: SEE PARTS
 DIAMETER:
 DRAWN BY:

REV: B
 MASS:
 APPROVED BY:
 SHEET 1 OF 1