



**Code: JHT-VA-01-00**

The Makinex Vacuum Attachment has been designed to reduce dust emission when removing surface overlay or breaking of concrete substrate.

When used in conjunction with Vacuum hose, the vacuum head can be adjusted up or down to suit position of tile smasher or wide chisel relative to workable impact point of floor or removal product.

Suitable for both:

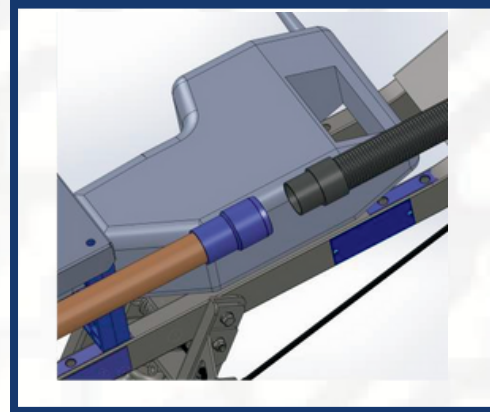
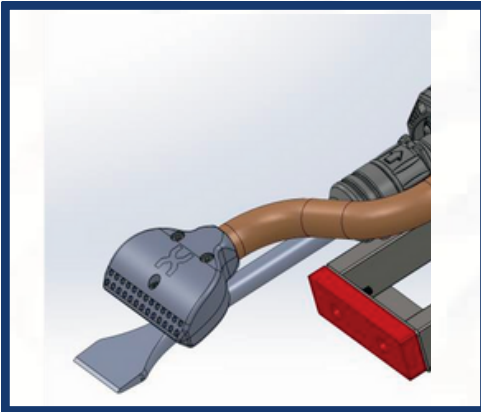


**Makinex  
Tile Smasher  
Attachment**



**Makinex  
Wide Chisel**

Suits 38mm vacuum hose or 50mm hose with adaptor accessory:



The Makinex Vacuum Attachment is currently suitable for the following brands & models:

- Hikoki H65SB3, H65SD3
- Bosch GSH16-30
- Dewalt D25961K-XE
- Hilti TE1000
- Makita HM1307C, HM1317C, HM1500